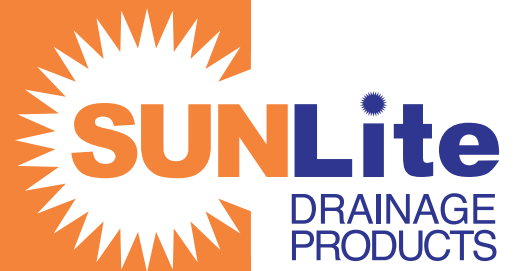
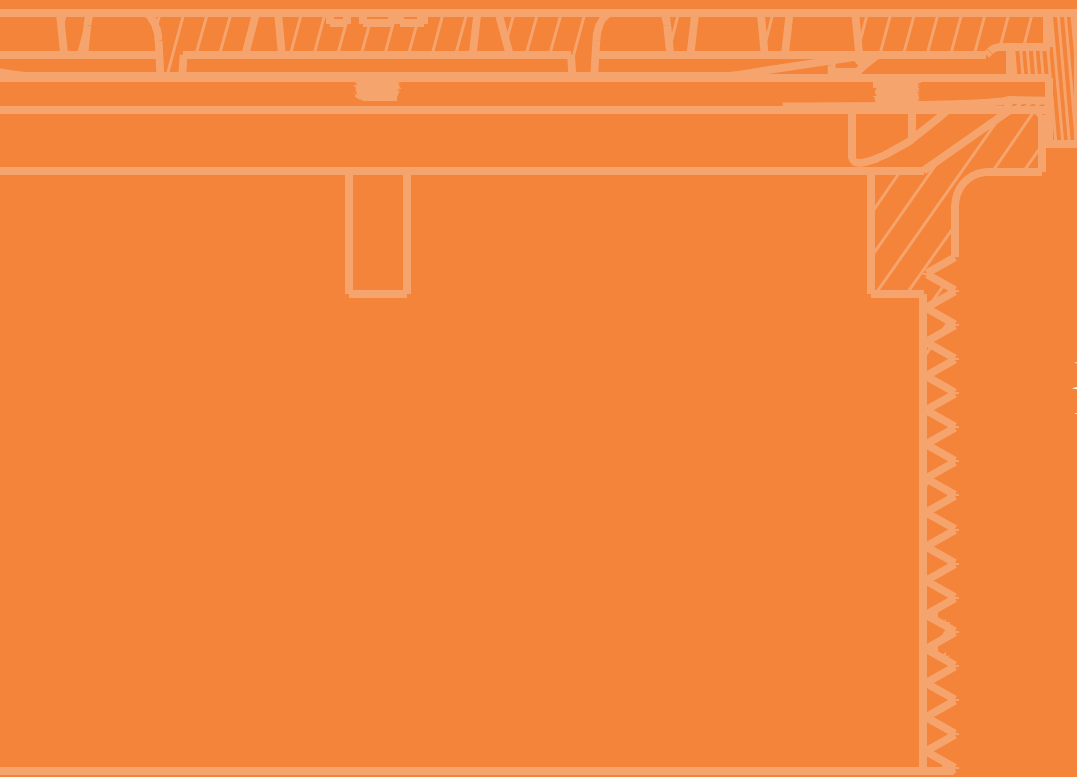


Light Commercial Drainage Products



PRICE GUIDE

EFFECTIVE: JANUARY 1, 2019



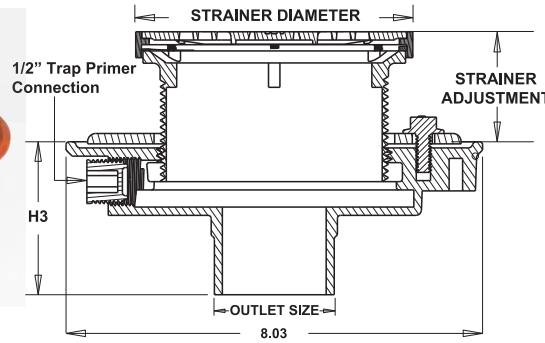
SUNLite Drainage Products comply with ASME Drainage Standards

T: 1.855.521.8999

www.SunDrainage.com

SUNLITE FLOOR DRAINS

SLFD1000-A FLOOR DRAIN - TYPE "A" ROUND ADJUSTABLE STRAINER



Engineering Specification:

SUNLite SLFD1000-A coated cast iron floor drain with anchor flange, weep holes, clamping collar, adjustable round nickel bronze top with secured grate, vandal resistant screws, 1/2" NPT trap primer (plugged) and bottom outlet.

OUTLETS (Specify pipe size in inches and type of outlet)

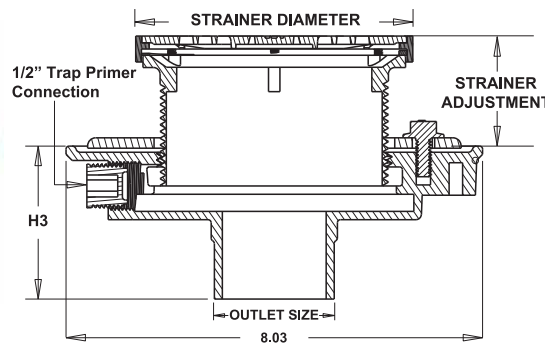
Outlet Type	Outlet Desig. Pipe Size/ Outlet Type	Body Ht. H3	ADD
No Hub	2NH, 3NH, 4NH.....	3.00	N/C
Push On	2PO, 3PO, 4PO.....	3.00	N/C

⚠ WARNING: Cancer and Reproductive Harm - www.P65Warnings.ca.gov.
⚠ ADVERTENCIA: Cáncer y daño a la reproducción - www.P65Warnings.ca.gov.
⚠ AVERTISSEMENT: Cancer et effets su la Reproductive - www.P65Warnings.ca.gov.

LIST PRICE

Strainer Desig.	Dimensions in Inches			Approx. Weight Lbs.	Str. Open Area Sq. In.	NB Str. With SLFD1000
	Strainer Dia.	Strainer Adjustment				
		Min.	Max			
-5A	5	0.95	2.20	9	9.0	\$305.00

SLFD1000-AL FLOOR DRAIN - TYPE "AL" ROUND ADJUSTABLE LEVELING STRAINER



Engineering Specification:

SUNLite SLFD1000-AL coated cast iron floor drain with anchor flange, weep holes, clamping collar, round adjustable leveling nickel bronze top and shim with ductile iron threaded head, secured grate, vandal resistant screws, 1/2" NPT trap primer (plugged) and bottom outlet.

OUTLETS (Specify pipe size in inches and type of outlet)

Outlet Type	Outlet Desig. Pipe Size/ Outlet Type	Body Ht. H3	ADD
No Hub	2NH, 3NH, 4NH.....	3.00	N/C
Push On	2PO, 3PO, 4PO.....	3.00	N/C

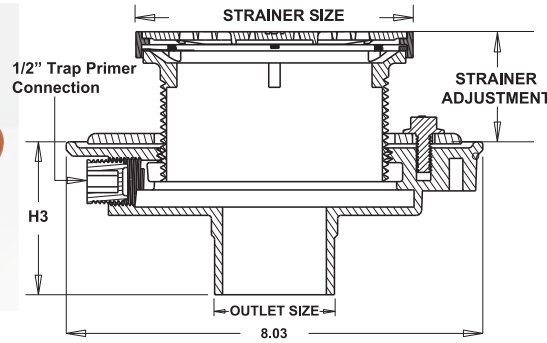
⚠ WARNING: Cancer and Reproductive Harm - www.P65Warnings.ca.gov.
⚠ ADVERTENCIA: Cáncer y daño a la reproducción - www.P65Warnings.ca.gov.
⚠ AVERTISSEMENT: Cancer et effets su la Reproductive - www.P65Warnings.ca.gov.

LIST PRICE

Strainer Desig.	Dimensions in Inches			Approx. Weight Lbs.	Str. Open Area Sq. In.	NB Str. With SLFD1000
	Strainer Dia.	Strainer Adjustment				
		Min.	Max			
-5AL	5	1.60	2.40	9	9.0	\$305.00

SUNLITE FLOOR DRAINS

SLFD1000-S FLOOR DRAIN - TYPE "S" SQUARE ADJUSTABLE STRAINER



Engineering Specification:

SUNLite SLFD1000-S coated cast iron floor drain with anchor flange, weep holes, clamping collar, adjustable square nickel bronze top with secured grate, vandal resistant screws, 1/2" NPT trap primer (plugged) and bottom outlet.

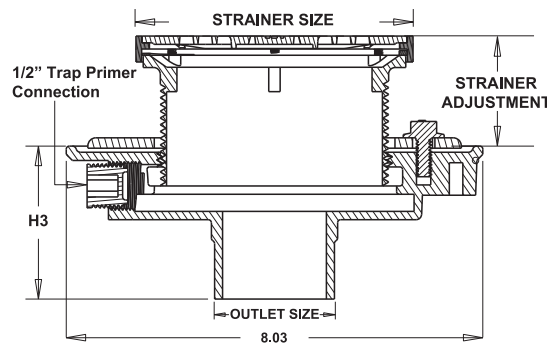
OUTLETS (Specify pipe size in inches and type of outlet)			
Outlet Type	Outlet Desig. Pipe Size/ Outlet Type	Body Ht. H3	ADD
No Hub	2NH, 3NH, 4NH.....	3.00	N/C
Push On	2PO, 3PO, 4PO.....	3.00	N/C

⚠ WARNING: Cancer and Reproductive Harm - www.P65Warnings.ca.gov.
⚠ ADVERTENCIA: Cáncer y daño a la reproducción - www.P65Warnings.ca.gov.
⚠ AVERTISSEMENT: Cancer et effets su la Reproductive - www.P65Warnings.ca.gov.

LIST PRICE

Strainer Desig.	Dimensions in Inches			Approx. Weight Lbs.	Str. Open Area Sq. In.	NB Str. With SLFD1000
	Strainer Dia.	Strainer Adjustment				
		Min.	Max			
-5S	5x5	0.95	2.20	9	9.0	\$364.00

SLFD1000-SL FLOOR DRAIN - TYPE "SL" SQUARE ADJUSTABLE LEVELING STRAINER



Engineering Specification:

SUNLite SLFD1000-SL coated cast iron floor drain with anchor flange, weep holes, clamping collar, square adjustable leveling nickel bronze top and shim with ductile iron threaded head, secured grate, vandal resistant screws, 1/2" NPT trap primer (plugged) and bottom outlet.

OUTLETS (Specify pipe size in inches and type of outlet)			
Outlet Type	Outlet Desig. Pipe Size/ Outlet Type	Body Ht. H3	ADD
No Hub	2NH, 3NH, 4NH.....	3.00	N/C
Push On	2PO, 3PO, 4PO.....	3.00	N/C

⚠ WARNING: Cancer and Reproductive Harm - www.P65Warnings.ca.gov.
⚠ ADVERTENCIA: Cáncer y daño a la reproducción - www.P65Warnings.ca.gov.
⚠ AVERTISSEMENT: Cancer et effets su la Reproductive - www.P65Warnings.ca.gov.

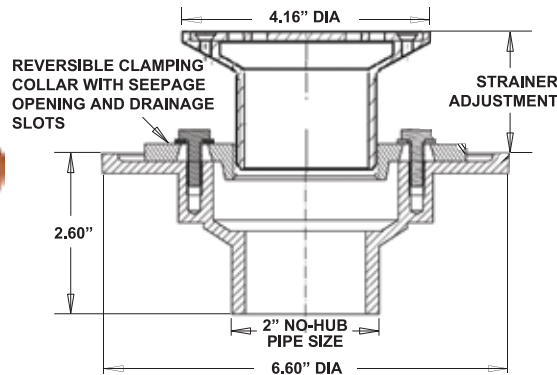
LIST PRICE

Strainer Desig.	Dimensions in Inches			Approx. Weight Lbs.	Str. Open Area Sq. In.	NB Str. With SLFD1000
	Strainer Dia.	Strainer Adjustment				
		Min.	Max			
-5SL	5x5	1.55	2.40	10	9.0	\$364.00

SUNLITE FLOOR DRAINS

SLFD1100

COMPACT ADJUSTABLE SHOWER DRAIN WITH 4" CHROME PLATED STRAINER



Engineering Specification:

SUN® FD1100 4" Dia. Light Duty Chrome Plated Adjustable Strainer with Vandal Resistant Grate, Coated Cast Iron Reversible Clamping Collar with Seepage Openings and 2" No-Hub Outlet Body.

OUTLETS (Specify pipe size in inches and type of outlet)

Outlet Type	Outlet Desig. Pipe Size/ Outlet Type	Body Ht. H3	ADD
No Hub	2NH	2.60	N/C

SUFFIXES

SUFFIXES	ADD
-S 4" Square Chrome Plated Strainer	\$85.00

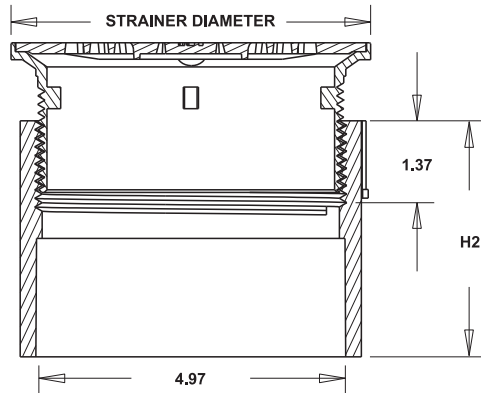
- WARNING: Cancer and Reproductive Harm - www.P65Warnings.ca.gov.
- ADVERTENCIA: Cáncer y daño a la reproducción - www.P65Warnings.ca.gov.
- AVERTISSEMENT: Cancer et effets su la Reproductive - www.P65Warnings.ca.gov.

LIST PRICE

Pipe Size	Strainer Adjustment (In.)				Approx. Weight Lbs.	Grate Open Area Sq. In.	Chrome Strainer w/ Body	Body Only
	High Position		Low Position					
	Min.	Max	Min.	Max				
2	2.20	1.04	1.04	.74	4.6	3.50	\$275.00	\$190.00

SLFD3210-A

SW FLOOR DRAIN - TYPE "A" ROUND ADJUSTABLE FLOOR STRAINER



Engineering Specification:

SUNLite SLFD3210-A Sch 40 PVC outlet floor drain with solvent weld connection, adjustable round nickel bronze top secured with vandal resistant screws.

- WARNING: Cancer and Reproductive Harm - www.P65Warnings.ca.gov.
- ADVERTENCIA: Cáncer y daño a la reproducción - www.P65Warnings.ca.gov.
- AVERTISSEMENT: Cancer et effets su la Reproductive - www.P65Warnings.ca.gov.

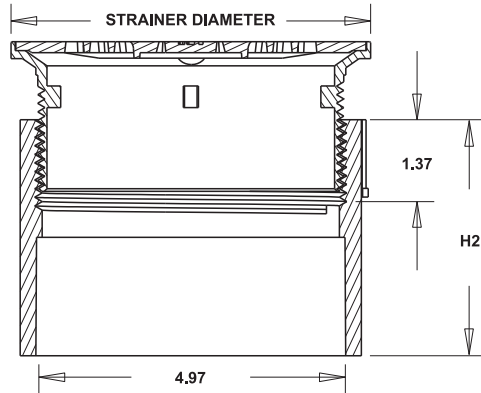
LIST PRICE

Strainer Desig.	Dimensions in Inches			Body Height (H2)	Approx. Weight Lbs.	Str. Open Area Sq. In.	NB Str. With PVC Fitting
	Strainer Dia.	Strainer Adjustment					
		Min.	Max.				
-5A	5	0.85	2.1	3.44	3	9.0	\$ 227.00
-6A	6	0.85	2.1	3.44	3	10.6	\$ 291.00
-7A	7	2.25	2.5	3.44	4	15.8	\$ 346.00
-8A	8	1.35	2.6	3.44	5	20.8	\$ 455.00

SUNLITE FLOOR DRAINS

SLFD3210-S

SW FLOOR DRAIN - TYPE "S" SQUARE ADJUSTABLE FLOOR STRAINER



Engineering Specification:

SUNLite SLFD3210-S Sch 40 PVC outlet floor drain with solvent weld connection, adjustable square nickel bronze top secured with vandal resistant screws.

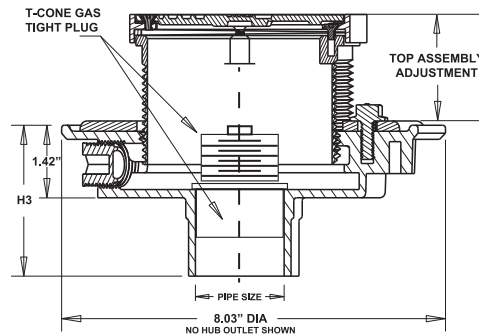
- ⚠ WARNING: Cancer and Reproductive Harm - www.P65Warnings.ca.gov.
- ⚠ ADVERTENCIA: Cáncer y daño a la reproducción - www.P65Warnings.ca.gov.
- ⚠ AVERTISSEMENT: Cancer et effets su la Reproductive - www.P65Warnings.ca.gov.

LIST PRICE

Strainer Desig.	Dimensions in Inches		Body Height (H2)	Approx. Weight Lbs.	Str. Open Area Sq. In.	NB Str. With PVC Fitting	
	Strainer Dia.	Strainer Adjustment					
		Min.					Max.
-5S	5x5	0.8	2	3.44	3	9.0	\$ 328.00
-6S	6x6	1.03	2.3	3.44	4	10.6	\$ 373.00
-8S	8x8	1.03	2.3	3.44	5	20.8	\$ 573.00

SLCO3000

ADJUSTABLE FLOOR CLEANOUT



Engineering Specification:

SUNLite SLCO3000 Adjustable floor cleanout with coated cast iron body, anchor flange, weep holes, clamping collar, tee cone gas tight plug, heavy duty ductile iron top assembly and vandal resistant screws.

OUTLETS (Specify pipe size in inches and type of outlet)

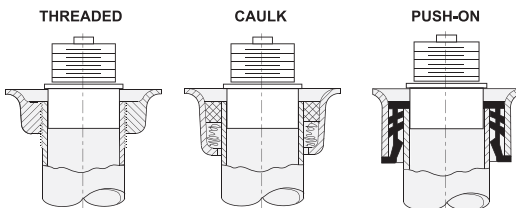
Outlet Type	Outlet Desig. Pipe Size/ Outlet Type	Body Ht. H3	ADD
Inside Caulk	2IC, 3IC, 4IC.....	3.92	N/C
No Hub	2NH, 3NH, 4NH.....	3.00	N/C
Push On	2PO, 3PO, 4PO.....	3.00	N/C
Threaded	2TH, 3TH, 4TH.....	2.50	\$55.00

LIST PRICE

Dim. In Inches		Approx. Wt. Lbs.	Ductile Iron	Nickel Bronze (-1)	Stainless Steel (-SS)	Special Duty (-SD)
Pipe Size	C					
2	5	8	\$360.00	\$444.00	\$444.00	\$ 460.00
3		8	\$413.00	\$467.00	\$467.00	\$ 526.00
4		9	\$491.00	\$626.00	\$626.00	\$ 655.00

SUFFIXES

SUFFIXES	ADD
-AR Acid Resistant Epoxy Coated Cast Iron	\$115.00
-G Galvanized Cast Iron	\$156.00
-L Leveling Ring (NB Only)	N/C
-1-S Square Top (NB Only)	N/C
-1 Nickel Bronze Top	SEE CHART
-1-HD Heavy Duty Top (NB Only)	\$105.00
-SD Special Duty (Round Only)	SEE CHART
-SS Stainless Steel (Round Only)	SEE CHART



T-CONE PLUG INSTALLATION

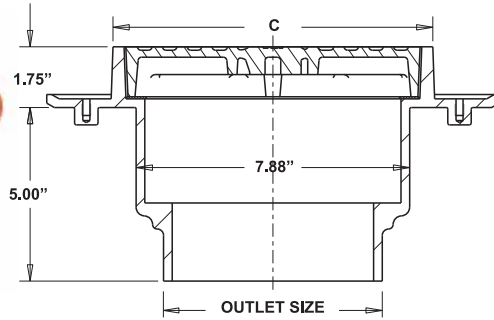
SUN reserves the right to make changes in material and design without formal notice and obligation.

- ⚠ WARNING: Cancer and Reproductive Harm - www.P65Warnings.ca.gov.
- ⚠ ADVERTENCIA: Cáncer y daño a la reproducción - www.P65Warnings.ca.gov.
- ⚠ AVERTISSEMENT: Cancer et effets su la Reproductive - www.P65Warnings.ca.gov.

SUNLITE CLEANOUTS

SLCO3100

EXTRA HEAVY DUTY FLOOR CLEANOUT WITH DUCTILE IRON COVER



Engineering Specification:

SUNLite SLCO3100 Extra Heavy Duty Floor Cleanout with coated cast iron body, anchor flange, ductile iron cover and primary gasket seal.

OUTLETS (Specify pipe size in inches and type of outlet)

Outlet Type	Outlet Desig. Pipe Size/ Outlet Type	Body Ht. Dim.	ADD
Inside Caulk	6IC 5.00	N/C
No Hub	6NH 5.00	N/C

SUFFIXES **ADD**

-AR	Acid Resistant Epoxy Coated Cast Iron	\$248.00
-G	Galvanized Cast Iron	\$156.00
-P	T-Cone Plastic Plug with compression gasket	\$298.00
-V	Nickel Bronze Veneer	\$268.00

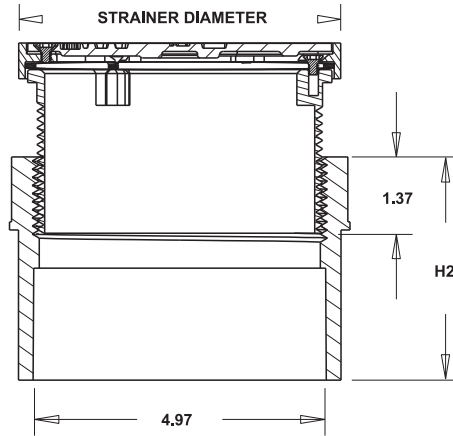
⚠ WARNING: Cancer and Reproductive Harm - www.P65Warnings.ca.gov.
⚠ ADVERTENCIA: Cáncer y daño a la reproducción - www.P65Warnings.ca.gov.
⚠ AVERTISSEMENT: Cancer et effets su la Reproductive - www.P65Warnings.ca.gov.

LIST PRICE

Dim. In Inches		Approx. Wt. Lbs.	Ductile Iron
Pipe Size	C		
6	9.25	27	\$858.00

SLCO3210-5C

SW ADJUSTABLE FLOOR CLEANOUT



Engineering Specification:

SUNLite SLCO3210-5C Sch 40 PVC outlet floor cleanout with solvent weld connection, adjustable round nickel bronze top secured with vandal resistant screws.

⚠ WARNING: Cancer and Reproductive Harm - www.P65Warnings.ca.gov.
⚠ ADVERTENCIA: Cáncer y daño a la reproducción - www.P65Warnings.ca.gov.
⚠ AVERTISSEMENT: Cancer et effets su la Reproductive - www.P65Warnings.ca.gov.

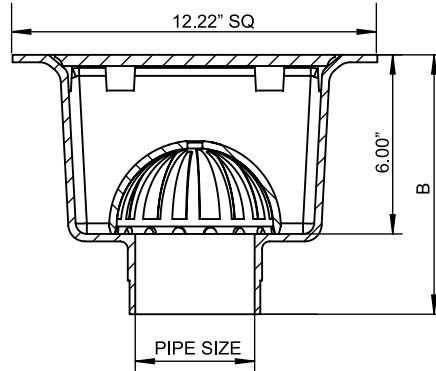
LIST PRICE

Dimensions in Inches			Body Height	Approx. Weight Lbs.	NB Cvr. With PVC Fitting
Strainer Dia.	Strainer Adjustment				
	Min.	Max.			
5C	0.8	2	3.44	3	\$ 312.00

SUNLITE FLOOR SINKS

SLFS2000

12" x 12" x 6" DEEP A.R.E. FLOOR SINK



Engineering Specification:

SUNLite SLFS2000 12" x 12" x 6" deep cast iron body, light duty loose set grate with slotted openings, white acid resisting enamel coated interior and top complete with aluminum dome strainer.

OUTLETS (Specify pipe size in inches and type of outlet)

Outlet Type	Outlet Desig. Pipe Size/ Outlet Type	(B) Body Ht. Dim.
No Hub	2NH, 3NH, 4NH	8 11/16"
Push On	2PO, 3PO, 4PO	8"

SUFFIXES ADD

-AB	Aluminum Bucket	\$250.00
-2	1/2 Grate	N/C
-3	3/4 Grate	N/C

SUFFIXES DEDUCT

-LG	Less Grate	\$114.00
-----	------------	----------

WARNING: Cancer and Reproductive Harm - www.P65Warnings.ca.gov.

ADVERTENCIA: Cáncer y daño a la reproducción - www.P65Warnings.ca.gov.

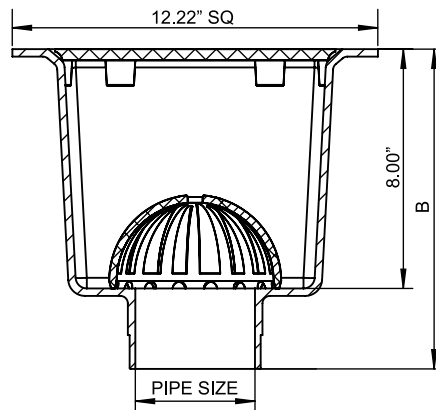
AVERTISSEMENT: Cancer et effets su la Reproductive - www.P65Warnings.ca.gov.

LIST PRICE

Pipe Size Inches	Approx. Wt. Lbs.	Grate Open Area Sq. In.	Enamel A.R.E.
2 - 3 - 4	33	23.23	\$824.00

SLFS2100

12" x 12" x 8" DEEP A.R.E. FLOOR SINK



Engineering Specification:

SUNLite SLFS2100 12" x 12" x 8" deep cast iron body, light duty loose set grate with slotted openings, white acid resisting enamel coated interior and top complete with aluminum dome strainer.

OUTLETS (Specify pipe size in inches and type of outlet)

Outlet Type	Outlet Desig. Pipe Size/ Outlet Type	(B) Body Ht. Dim.
No Hub	2NH, 3NH, 4NH	10 11/16"
Push On	2PO, 3PO, 4PO	10"

SUFFIXES ADD

-AB	Aluminum Bucket	\$250.00
-2	1/2 Grate	N/C
-3	3/4 Grate	N/C

SUFFIXES DEDUCT

-LG	Less Grate	\$114.00
-----	------------	----------

WARNING: Cancer and Reproductive Harm - www.P65Warnings.ca.gov.

ADVERTENCIA: Cáncer y daño a la reproducción - www.P65Warnings.ca.gov.

AVERTISSEMENT: Cancer et effets su la Reproductive - www.P65Warnings.ca.gov.

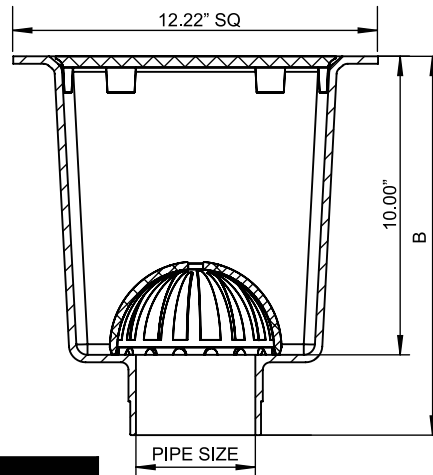
LIST PRICE

Pipe Size Inches	Approx. Wt. Lbs.	Grate Open Area Sq. In.	Enamel A.R.E.
2 - 3 - 4	38	23.23	\$880.00

SUNLITE FLOOR SINKS

SLFS2200

12" x 12" x 10" DEEP A.R.E. FLOOR SINK



Engineering Specification:

SUNLite SLFS2200 12" x 12" x 10" deep cast iron body, light duty loose set grate with slotted openings, white acid resisting enamel coated interior and top complete with aluminum dome strainer.

LIST PRICE			
Pipe Size Inches	Approx. Wt. Lbs.	Grate Open Area Sq. In.	Enamel A.R.E.
2 - 3 - 4	42	23.23	\$1,165.00

OUTLETS (Specify pipe size in inches and type of outlet)

Outlet Type	Outlet Desig. Pipe Size/ Outlet Type	(B) Body Ht. Dim.
No Hub	2NH, 3NH, 4NH	12 11/16"
Push On	2PO, 3PO, 4PO	12"

SUFFIXES ADD

-AB	Aluminum Bucket	\$250.00
-2	1/2 Grate	N/C
-3	3/4 Grate	N/C

SUFFIXES DEDUCT

-LG	Less Grate	\$114.00
-----	------------	----------

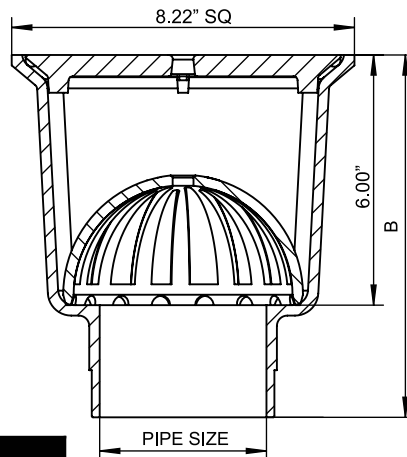
⚠ WARNING: Cancer and Reproductive Harm - www.P65Warnings.ca.gov.

⚠ ADVERTENCIA: Cáncer y daño a la reproducción - www.P65Warnings.ca.gov.

⚠ AVERTISSEMENT: Cancer et effets su la Reproductive - www.P65Warnings.ca.gov.

SLFS2300

8" x 8" x 6" DEEP A.R.E. FLOOR SINK



Engineering Specification:

SUNLite SLFS2300 8" x 8" x 6" deep cast iron body, light duty loose set grate with slotted openings, white acid resisting enamel coated interior and top complete with aluminum dome strainer.

LIST PRICE			
Pipe Size Inches	Approx. Wt. Lbs.	Grate Open Area Sq. In.	Enamel A.R.E.
2 - 3 - 4	20	18.85	\$779.00

OUTLETS (Specify pipe size in inches and type of outlet)

Outlet Type	Outlet Desig. Pipe Size/ Outlet Type	(B) Body Ht. Dim.
No Hub	2NH, 3NH, 4NH	8 11/16"
Push On	2PO, 3PO, 4PO	8"

SUFFIXES ADD

-AB	Aluminum Bucket	\$188.00
-2	1/2 Grate	N/C
-3	3/4 Grate	N/C

SUFFIXES DEDUCT

-LG	Less Grate	\$96.00
-----	------------	---------

⚠ WARNING: Cancer and Reproductive Harm - www.P65Warnings.ca.gov.

⚠ ADVERTENCIA: Cáncer y daño a la reproducción - www.P65Warnings.ca.gov.

⚠ AVERTISSEMENT: Cancer et effets su la Reproductive - www.P65Warnings.ca.gov.