



CUSTOMER GUIDE

EFFECTIVE: JANUARY 1, 2019 - SPG19

www.SunDrainage.com



ENGINEERED SPECIFICATION DRAINAGE PRODUCTS



GENERAL

These terms and conditions shall control with respect to any purchase order or sale of Sellers products. No waiver, alteration or modification of these terms and conditions whether on Buyers purchase order or otherwise shall be valid unless the waiver, alteration or modification is specifically accepted in writing and signed by an authorized representative of Seller.

PAYMENT TERMS

For accounts with established credit, payment terms are 30 days from date of invoice, net 31 days. Invoices still unpaid after 31 days from date of invoice will be subject to interest charges of 1-1/2% per month.
Minimum invoice: \$25.00 net.

FREIGHT ALLOWANCE

All shipments will be F.O.B. Sugar Land, TX or Service Center. A freight allowance of \$5,000.00 net amount or more within the continental USA except for Alaska, Hawaii and Puerto Rico.

Full Freight Allowed is limited to normal ground services and does not include charges for specially expedited or guaranteed deliveries requiring air shipment or guaranteed motor freight contracts.

DELIVERY

Seller will make every effort to complete delivery of products as indicated on Sellers acceptance of an order, but Seller assumes no responsibility or liability, and will accept no back charge, for loss or damage due to delay or inability to deliver caused by acts of God, war, labor difficulties, accident, delays of carriers, by contractors or suppliers, inability to obtain materials, shortages of fuel and energy, or any other causes of any kind whatsoever beyond the control of Seller. Seller may terminate any contract of sale of its products without liability of any nature, by written notice to Buyer in the event that the delay in delivery or performance resulting from any of the aforesaid causes shall continue for a period of sixty (60) days. Under no circumstances shall Seller be liable for any special or consequential damages or for loss, damage, or expense (whether or not based on negligence) directly or indirectly arising from delays or failure to give notice of delay.

No claim for shortages will be allowed unless made in writing within ten (10) days of receipt of a shipment. Claims for products damaged or lost in transit should be made on the carrier, as Sellers responsibility ceases, and title passes, on delivery to the carrier.

WARRANTY

All goods sold hereunder are warranted to be free from defects in material and factory workmanship for a period of one year from the date of purchase. Notification of a claim for defective material or workmanship must be given in writing to Sun Drainage within 45 days of shipment. We shall not be responsible for any labor changes or any loss, injury or damages whatsoever, including incidental or consequential damages. The sole and exclusive remedy shall be limited to the replacement or repair of the defective goods at the Sellers's discretion. Before installation and use, Buyer shall determine the suitability of the product for the intended use and the Buyer assumes all risk and liability whatever in connection herewith.

LIABILITY

Seller will not be liable for any loss, damage, cost of repairs, incidental or consequential damages of any kind, whether based upon warranty (except for the obligation accepted by Seller under Warranty above), contract or negligence, arising in connection with the design, manufacture, sale, use or repair of the products or of the engineering designs supplied to Buyer.

RETURN POLICY

Seller cannot accept return of any standard catalog products unless its written permission has been first obtained, in which case same will be credited subject to the following: (a) All material returned must, on its arrival at Sellers plant, be found to be in first-class condition; if not, cost of putting in saleable condition will be deducted from credit memoranda; (b) A handling charge deduction of twenty-five percent (25%) will be made from all credit memoranda issued for material returned; (c) Transportation charges, if not prepaid will be deducted from credit memoranda. Requests of return material must be received by SUN Drainage within 30 days of the date of original shipment made by SUN Drainage. Buyer must return material within 30 days from the date of Seller's written authorization. The value of a return must total at least \$100.00 to qualify for credit allowance.

CANCELLATION

Orders are not subject to cancellation without written consent. Any products not cataloged or items not normally stocked by SUN Drainage and made or purchased to fill an order become the Buyer's property and must be paid for by the Buyer.


TAXES

The amount of any sales, excise or other taxes, if any, applicable to the products covered by this order, shall be added to the purchase price and shall be paid by Buyer unless Buyer provides Seller with an exemption certificate acceptable to the taxing authorities.

QUOTATIONS

Quotations are based on discount in effect at the time of quotation and will be protected on this basis for a period of 30 days from job bid due date.

PROPOSITION 65 NOTICE

 WARNING: Cancer and Reproductive Harm - www.P65Warnings.ca.gov.

 ADVERTENCIA: Cáncer y daño a la reproducción - www.P65Warnings.ca.gov.



 AVERTISSEMENT: Cancer et effets su la Reproductive www.P65Warnings.ca.gov.

TABLE OF CONTENTS

| | |
|-----------------------------|-------|
| Floor Drains | 07-22 |
| Floor Sinks | 23-31 |
| Cleanouts | 33-41 |
| Roof Drains | 43-58 |
| Carriers | 59-88 |
| Adapters | 89-90 |
| Technical Information | 91-92 |

HOW TO USE PRODUCT GUIDE



FLOOR DRAINS

www.sundrainage.com
T: 1.855.521.8999


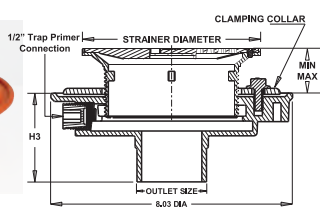
Category Heading

Specific Product Heading

Product Photo

Engineering Drawing

FD1000-A FLOOR DRAIN - TYPE "A" ROUND ADJUSTABLE STRAINER

Engineering Specification:
SUN® FD1000-A coated cast iron floor drain body with anchor flange, weep holes, clamping collar, adjustable round nickel bronze top with vandal resistant secured heel proof grate, 1/2" NPT trap primer (plugged) and bottom outlet.

| OUTLETS (Specify pipe size in inches and type of outlet) | | | |
|--|--------------------------------------|-------------|---------|
| Outlet Type | Outlet Desig. Pipe Size/ Outlet Type | Body Ht. H3 | ADD |
| Inside Caulk | 2IC, 3IC, 4IC..... | 3.92 | N/C |
| No Hub | 2NH, 3NH, 4NH..... | 3.00 | N/C |
| Push On | 2PO, 3PO, 4PO..... | 3.00 | N/C |
| Threaded | 2TH, 3TH, 4TH..... | 2.50 | \$62.00 |

| LIST PRICE | | | | | | |
|-----------------|----------------------|-------------------------------|---------------------|------------------------|---------------------|-----------|
| Strainer Desig. | Dimensions in Inches | | Approx. Weight Lbs. | Str. Open Area Sq. In. | NB Str. With FD1000 | Body Only |
| | Strainer Dia. | Strainer Adjustment Min. Max. | | | | |
| -5A | 5 | 0.95 2.20 | 9 | 9.0 | \$382.00 | \$152.00 |
| -6A | 6 | 1.00 2.50 | 9 | 10.6 | \$469.00 | |
| -7A | 7 | 1.30 2.60 | 10 | 15.8 | \$537.00 | |
| -8A | 8 | 1.40 2.70 | 11 | 20.8 | \$672.00 | |
| -10A | 10 | 1.60 2.85 | 13 | 31.0 | \$1,197.00 | |

| SUFFIXES | | ADD |
|----------|---------------------------------------|----------|
| -AR | Acid Resisting Epoxy Coated Cast Iron | \$134.00 |
| -B | Sediment Bucket | \$86.00 |
| -F4 | Round Funnel Assembly | \$332.00 |
| -G | Galvanized Cast Iron | \$156.00 |
| -U | 1"-3" High Extension Adapter | \$110.00 |


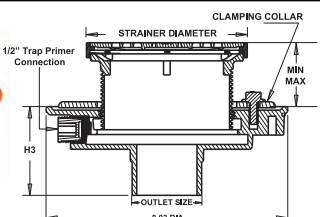
Outlet Type and Size Chart

Suffix Option Selections

Specific Product Heading

Dimensional Chart

FD1000-AL FLOOR DRAIN - TYPE "AL" ROUND ADJUSTABLE LEVELING STRAINER

Engineering Specification:
SUN® FD1000-AL coated cast iron floor drain body with anchor flange, weep holes, clamping collar, round adjustable leveling nickel bronze top and shim with ductile iron threaded head, vandal resistant secured heel proof grate, 1/2" NPT trap primer (plugged) and bottom outlet.

| OUTLETS (Specify pipe size in inches and type of outlet) | | | |
|--|--------------------------------------|-------------|---------|
| Outlet Type | Outlet Desig. Pipe Size/ Outlet Type | Body Ht. H3 | ADD |
| Inside Caulk | 2IC, 3IC, 4IC..... | 3.92 | N/C |
| No Hub | 2NH, 3NH, 4NH..... | 3.00 | N/C |
| Push On | 2PO, 3PO, 4PO..... | 3.00 | N/C |
| Threaded | 2TH, 3TH, 4TH..... | 2.50 | \$62.00 |

| LIST PRICE | | | | | | |
|-----------------|----------------------|-------------------------------|---------------------|------------------------|---------------------|-----------|
| Strainer Desig. | Dimensions in Inches | | Approx. Weight Lbs. | Str. Open Area Sq. In. | NB Str. With FD1000 | Body Only |
| | Strainer Dia. | Strainer Adjustment Min. Max. | | | | |
| -5AL | 5 | 1.60 2.40 | 9 | 9.0 | \$382.00 | \$152.00 |
| -6AL | 6 | | 10 | 10.6 | \$467.00 | |
| -7AL | 7 | 10 | 15.8 | \$537.00 | | |
| -8AL | 8 | 11 | 20.8 | \$672.00 | | |
| -10AL | 10 | 1.65 2.50 | 13 | 31.0 | \$1,197.00 | |

| SUFFIXES | | ADD |
|----------|---------------------------------------|----------|
| -AR | Acid Resisting Epoxy Coated Cast Iron | \$134.00 |
| -B | Sediment Bucket | \$86.00 |
| -F4 | Round Funnel Assembly | \$332.00 |
| -G | Galvanized Cast Iron | \$156.00 |
| -U | 1"-3" High Extension Adapter | \$110.00 |

Engineering Specification

SUN reserves the right to make changes in material and design without formal notice and obligation.

16
















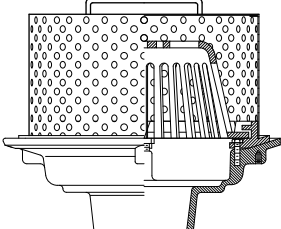
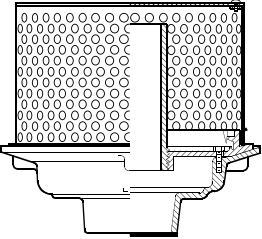



PICTORIAL INDEX

| | | | |
|--|---|--|---|
| <p>S100-A</p>  <p>Pg. 11</p> | <p>S100-S</p>  <p>Pg. 11</p> | <p>S100-AL</p>  <p>Pg. 12</p> | <p>S100-SL</p>  <p>Pg. 12</p> |
| <p>S100-A-SS</p>  <p>Pg. 13</p> | <p>S100-S-SS</p>  <p>Pg. 13</p> | <p>S100-F4</p>  <p>Pg. 14</p> | <p>S100-R</p>  <p>Pg. 14</p> |
| <p>S100-N</p>  <p>Pg. 15</p> | <p>S100-U</p>  <p>Pg. 15</p> | <p>FD1000-A</p>  <p>Pg. 16</p> | <p>FD1000-AL</p>  <p>Pg. 16</p> |
| <p>FD1000-S</p>  <p>Pg. 17</p> | <p>FD1000-SL</p>  <p>Pg. 17</p> | <p>FD1000-A-SS</p>  <p>Pg. 18</p> | <p>FD1000-S-SS</p>  <p>Pg. 18</p> |
| <p>FD1000-R</p>  <p>Pg. 19</p> | <p>FD1000-N</p>  <p>Pg. 19</p> | <p>FD1100</p>  <p>Pg. 20</p> | <p>FD1200</p>  <p>Pg. 20</p> |
















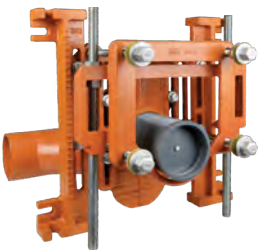



PICTORIAL INDEX

| | | | |
|--|--|---|---|
| <p>FD1300</p>  <p>Pg. 21</p> | <p>FD1300-S</p>  <p>Pg. 21</p> | <p>FD1400</p>  <p>Pg. 22</p> | <p>FD1400-S</p>  <p>Pg. 22</p> |
| <p>FS2000</p>  <p>Pg. 26</p> | <p>FS2000-K</p>  <p>Pg. 26</p> | <p>FS2100</p>  <p>Pg. 27</p> | <p>FS2100-K</p>  <p>Pg. 27</p> |
| <p>FS2200</p>  <p>Pg. 28</p> | <p>FS2200-K</p>  <p>Pg. 28</p> | <p>FS2300</p>  <p>Pg. 29</p> | <p>FS2300-K</p>  <p>Pg. 29</p> |
| <p>FS2400</p>  <p>Pg. 30</p> | <p>FS2400-K</p>  <p>Pg. 30</p> | <p>FS2500</p>  <p>Pg. 31</p> | <p>FS2500-K</p>  <p>Pg. 31</p> |
| <p>CO3200</p>  <p>Pg. 36</p> | <p>CO3230</p>  <p>Pg. 36</p> | <p>CO3250</p>  <p>Pg. 37</p> | <p>CO3250-CO</p>  <p>Pg. 37</p> |





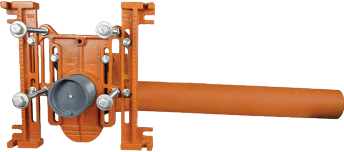

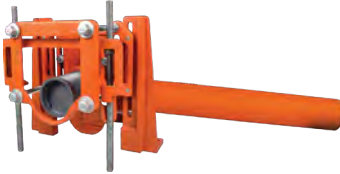
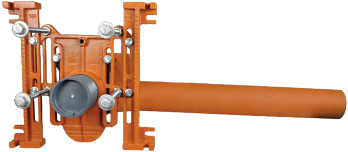

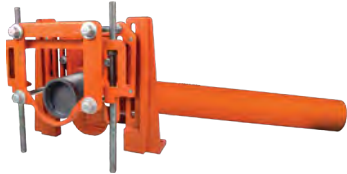





PICTORIAL INDEX

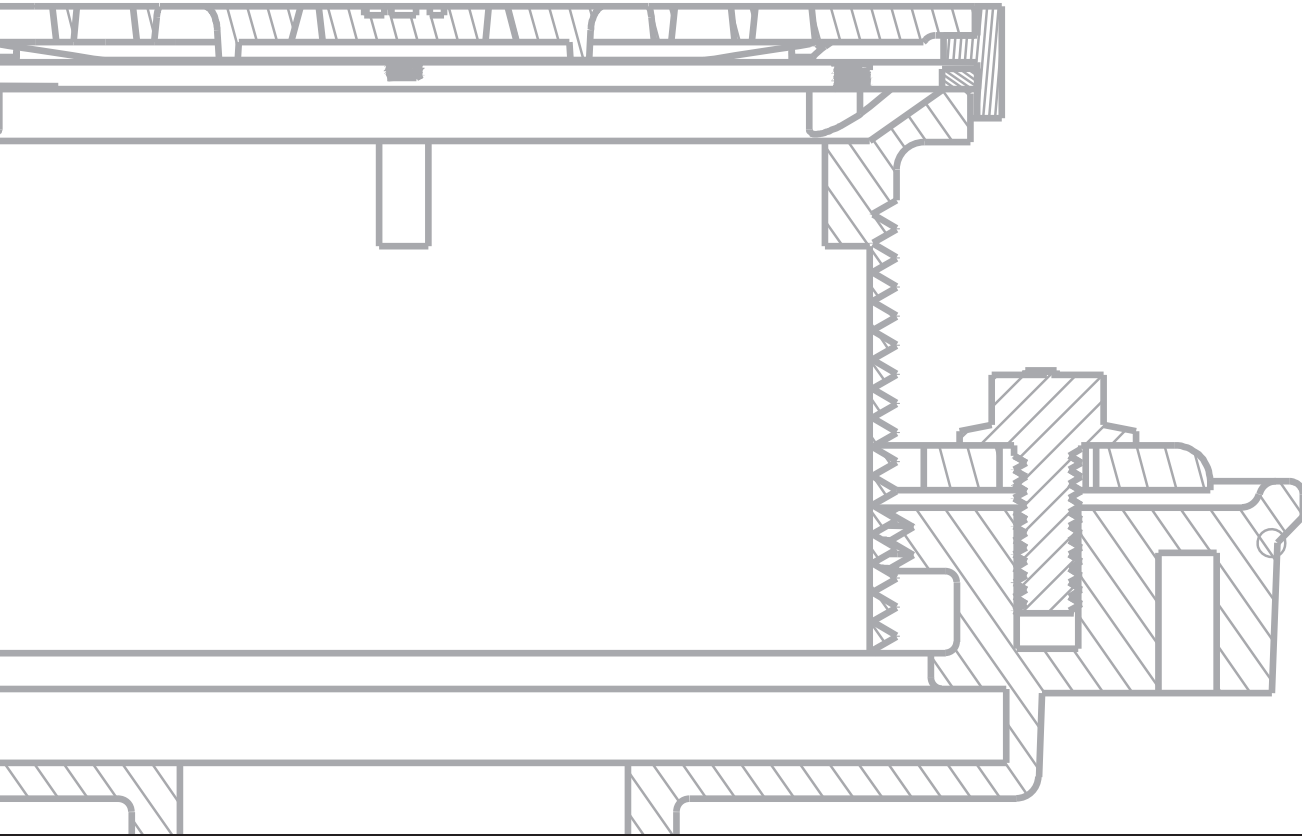
| | | | |
|---|---|--|---|
| <p>CO3250-COT</p>  <p>Pg. 38</p> | <p>CO3250-PLG</p>  <p>Pg. 38</p> | <p>CO3270</p>  <p>Pg. 39</p> | <p>CO3280</p>  <p>Pg. 39</p> |
| <p>CO3400</p>  <p>Pg. 40</p> | <p>CO3500</p>  <p>Pg. 41</p> | <p>RD4000</p>  <p>Pg. 48</p> | <p>RD4000-AE</p>  <p>Pg. 48</p> |
| <p>RD4000-D</p>  <p>Pg. 48</p> | <p>RD4000-DP</p>  <p>Pg. 48</p> | <p>RD4000-W4</p>  <p>Pg. 48</p> | <p>RD4000-90</p>  <p>Pg. 48</p> |
| <p>RD4000-RE</p>  <p>Pg. 49</p> | <p>RD4010</p>  <p>Pg. 50</p> | <p>RD4020-DP</p>  <p>Pg. 51</p> | <p>RD4100</p>  <p>Pg. 52</p> |
| <p>RD4110</p>  <p>Pg. 53</p> | <p>RD4200</p>  <p>Pg. 54</p> | <p>RD4200-90</p>  <p>Pg. 54</p> | <p>RD4200-W2</p>  <p>Pg. 54</p> |

PICTORIAL INDEX

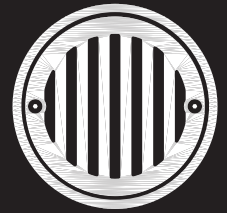
| | | | |
|--|---|--|---|
| <p>RD4300</p>  <p>Pg. 55</p> | <p>RD4310</p>  <p>Pg. 55</p> | <p>RD4320</p>  <p>Pg. 56</p> | <p>RD4400</p>  <p>Pg. 56</p> |
| <p>RD4500</p>  <p>Pg. 57</p> | <p>RD4600</p>  <p>Pg. 58</p> | <p>LC5000</p>  <p>Pg. 64</p> | <p>LC5010</p>  <p>Pg. 65</p> |
| <p>SC5020</p>  <p>Pg. 66</p> | <p>SC5020-DFBL</p>  <p>Pg. 66</p> | <p>SC5030</p>  <p>Pg. 67</p> | <p>SC5030-DFBL</p>  <p>Pg. 67</p> |
| <p>SC5040</p>  <p>Pg. 68</p> | <p>WC5500</p>  <p>Pg. 70</p> | <p>WC5500-XH</p>  <p>Pg. 71</p> | <p>WC5500-XB</p>  <p>Pg. 72</p> |
| <p>WC5500-EXC</p>  <p>Pg. 73</p> | <p>WC5500-NW</p>  <p>Pg. 74</p> | <p>WC5600</p>  <p>Pg. 75</p> | <p>WC5600-XH</p>  <p>Pg. 76</p> |

PICTORIAL INDEX

| | | | |
|---|---|---|--|
| <p>WC5600-XH</p>  <p>Pg. 76</p> | <p>WC5600-XB</p>  <p>Pg. 77</p> | <p>WC5600-EXC</p>  <p>Pg. 78</p> | <p>WC5600-NW</p>  <p>Pg. 79</p> |
| <p>WC5700</p>  <p>Pg. 80</p> | <p>WC5700-XH</p>  <p>Pg. 81</p> | <p>WC5700-XB</p>  <p>Pg. 82</p> | <p>WC5700-L2/R2</p>  <p>Pg. 83</p> |
| <p>WC5700-XH-L2/R2</p>  <p>Pg. 84</p> | <p>WC5700-XB-L2/R2</p>  <p>Pg. 85</p> | <p>WC5800</p>  <p>Pg. 86</p> | <p>WC5800-XH</p>  <p>Pg. 87</p> |
| <p>WC5800-XB</p>  <p>Pg. 88</p> | <p>S7000</p>  <p>Pg. 90</p> | <p>S7001</p>  <p>Pg. 90</p> | |



FLOOR DRAINS



SUN[®] Drainage Floor Drains comply with A112.6.3-01

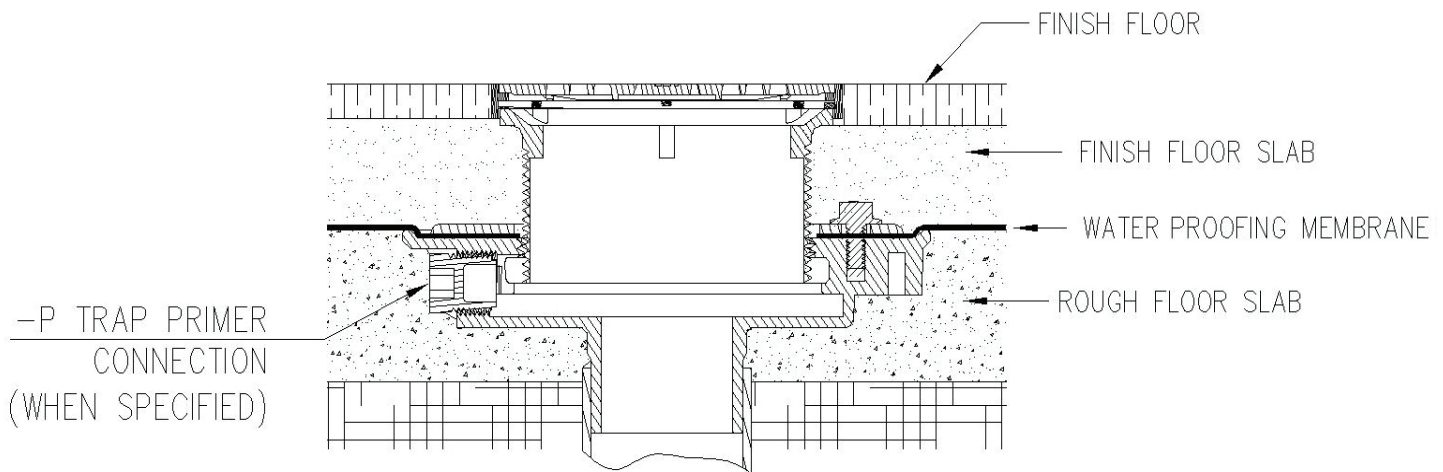
FLOOR DRAINS

APPLICATION

RECOMMENDED FLOOR DRAIN

| | |
|--|--|
| Finished Interior Floor Areas | FD1000-A, FD1000-AL, FD1000-S, FD1000-SL |
| Mechanical Rooms/Industrial Areas | FD1200, FD1300, FD1300-S, FD1400, FD1400-S |
| Parking Garage, Service Areas and Industrial Areas | FD1400, FD1400-S |

INSTALLATION

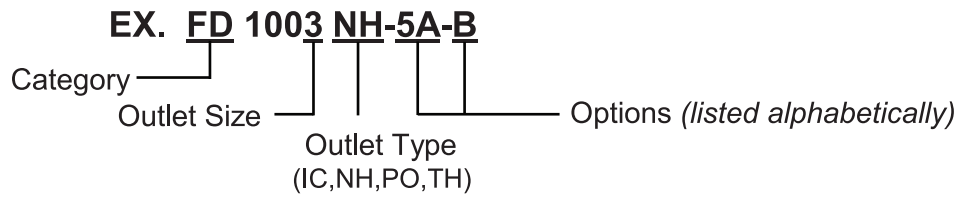


The Sun FD1000 Floor Drain can be installed in water proof membrane, non-membrane floor and shower construction. The drainage pipe is run to an elevation where the finish drain top will be slightly below the finish floor elevation. It is recommended that the strainer be initially installed at the mid-point into the body to allow any required adjustments. Dimensional data for all drain heights and outlet types are shown on Sun Submittal Drawings and the Sun Drainage website, www.SunDrainage.com.

The drain body is secured to the pipe with any of four connections; Inside Caulk, No-Hub, Push On, or Threaded. The type of connection should be specified upon ordering any Sun drain and the O-ring or gasketed joints shall comply with ASTM C564, C1440, or CSA B602. Once the drain is set and leveled in place, the initial concrete sub-floor is poured to an elevation level with the top flange of the drain body. The waterproofing membrane is then installed to the point where the clamping flange can create the seal. The clamping flange is secured to the body by bolts. Omit this step if the installation has no membrane. The strainer is then screwed into the body and the finished floor is poured to finished grade. The finished surface of the strainer should be protected through all phases of construction by the use of cardboard, tape or other protective materials applied by the plumber.

HOW TO BUILD PART NUMBERS

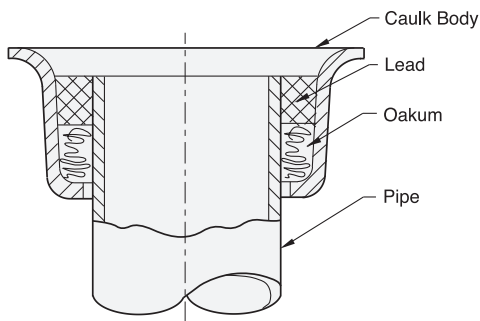
FLOOR DRAINS



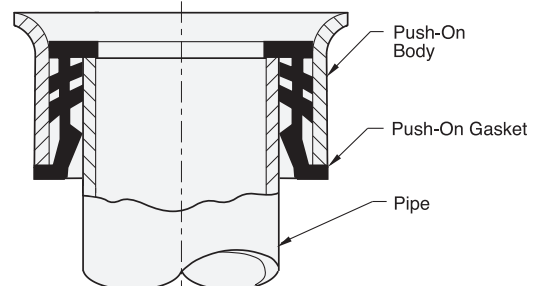
OUTLET TYPE

| | |
|-----------|----------------------------|
| IC | Inside Caulk Outlet |
| NH | No-Hub Outlet |
| PO | Push-On Outlet |
| TH | Threaded Connection |

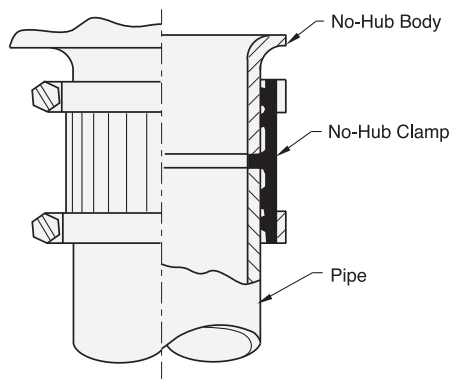
PIPE CONNECTIONS



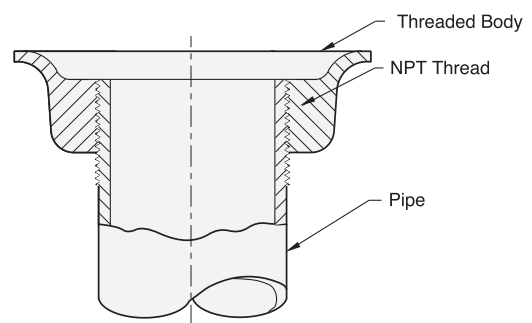
INSIDE CAULK OUTLET - IC



PUSH-ON OUTLET - PO



NO HUB CONNECTION - NH



THREADED CONNECTION - TH

FLOOR DRAINS

HOW TO SELECT A FLOOR DRAIN

| Recommended Grate Free Areas for Various Outlet Pipe Sizes | | | |
|--|--------------------------------|--|--|
| Nominal Pipe Size, IN | Transverse Area of Pipe, SQ IN | Minimum Flow Requirements (Interior Areas) SQ IN | Maximum Flow Requirements (Exterior Areas) SQ IN |
| 1 1/2 | 2.04 | 3.06 | 4.08 |
| 2 | 3.14 | 4.71 | 6.28 |
| 3 | 7.06 | 10.59 | 14.12 |
| 4 | 12.60 | 18.90 | 25.20 |
| 5 | 19.60 | 29.40 | 39.20 |
| 6 | 28.30 | 42.45 | 56.60 |
| 8 | 50.25 | 75.38 | 100.50 |

Floor drains are primarily used for inside locations where the flow rate into the drain can be anticipated and for outside areas where rainfall intensity dictates sizing. Drains should be selected with sufficient top size and grate free area to pass the anticipated flow. Grate free area is defined as "the total area of the drainage openings in the grate." The drain outlet should be sized large enough so that it will safely pass the maximum flow through the grate, without creating water buildup.

Sizing and Location—For most indoor locations, the grate free area should be 1 1/2 times the transverse area of the connecting pipe. The number and location of drains are based on the configuration of the floor plan, type of operation and location of equipment. Location and number of floor drains required can be determined only after careful review of the plans and anticipated building use.

Floor drains or area drains, when used to drain exterior areas, should have an open area equal to twice the transverse area of the connecting pipe (Table 1.) See roof drain section for rainfall and sizing data

SELECTING THE DRAIN

After the top size is determined based on anticipated flow into the drain, the following points should be considered when making the final selection of the floor drain.

Selection of Top (Based on Anticipated Traffic)—Establish the maximum anticipated traffic (loading) which will pass over the grate and select the grate type which will support that load. Each drain shown in this section has a description listing the type of load it will take. The categories listed are for various drains in respect to grate loading. The load classifications are in accordance with the American National Standards ASME A112.21.1M. ASME Ratings are as follows:

- Light Duty -All grates having safe live load under 2,000 lbs. (900 KG)
- Medium Duty -All grates having safe live load between 2,000 lbs. (900 KG) and 4,999 lbs. (2250 KG)
- *-Heavy Duty -All grates having safe live load between 5,000 lbs. (2250 KG) and 7,499 lbs. (3375 KG)
- Extra Heavy Duty -All grates having safe live load between 7,500 lbs. (3375 KG) and 10,000 lbs. (4500 KG)
- *- Most SUN drains are regularly furnished with "Heavy Duty" Grates

The above categories are given as a guide only. Conditions of use, load concentrations, installations, etc., can affect results and service. For unusual applications, consult the factory.

After the weight loading capacity is established, a suitable drain can be selected.

Illustrated below are various types of grate designs which will be mentioned throughout the catalog.

Selection of Top Material—(Unfinished Areas)—Drains located in heavy traffic areas should be specified with heavy duty cast iron grates. In areas where shock loads are anticipated, a ductile iron grate should be specified in lieu of the cast iron grate. Cast iron is acceptable for most unfinished areas such as warehouses, loading docks, boiler rooms and similar areas.

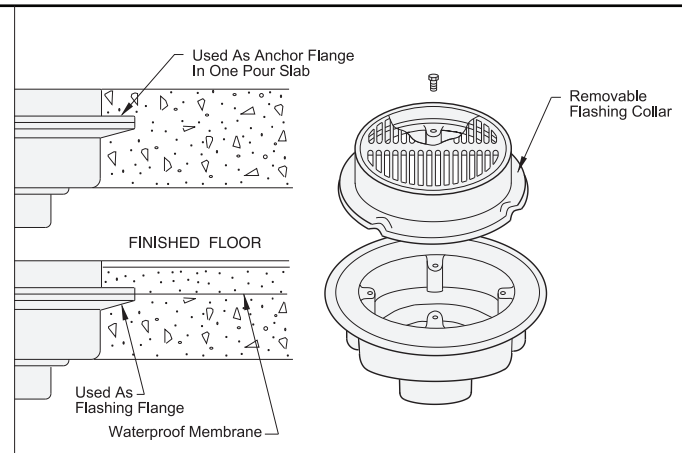
(Finished Areas)—Most drains are available with nickel bronze to match the surrounding trim in finished areas. Usually finished areas require light duty or medium duty tops.

(Finished Areas with Increased Load)—Many finished floor areas are subject to increased loadings. Examples are convention centers, equipment showrooms and industrial plants.

Top Shape—Round or square styles are available to blend with all types of construction and floor patterns. The round top is the most flexible type since it can be easily oriented to most floor patterns.

Body Selection—Body depth is proportioned to the top size.

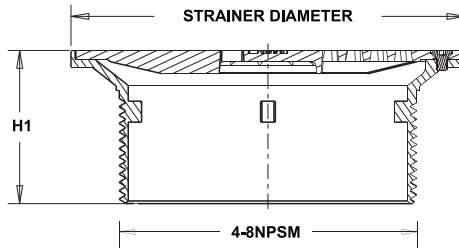
Most floor drain bodies are available with a flange for either anchoring the drain in the floor slab or for use as a flashing flange in upper floors and waterproofed areas. Most SUN drains are regularly furnished with a flanged body and a combination "top flashing collar" which can be used to clamp the waterproof membrane.



FLOOR DRAINS

S100-A

ROUND ADJUSTABLE STRAINER - NICKEL BRONZE



Engineering Specification:

SUN® S100-A round nickel bronze adjustable light duty strainer top with vandal resistant secured heel proof grate.

| SUFFIXES | ADD |
|--------------------|---------|
| -B Sediment Bucket | \$86.00 |

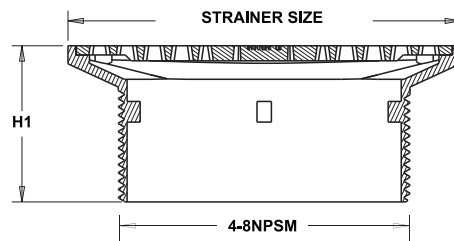
- ⚠ WARNING: Cancer and Reproductive Harm - www.P65Warnings.ca.gov.
- ⚠ ADVERTENCIA: Cáncer y daño a la reproducción - www.P65Warnings.ca.gov.
- ⚠ AVERTISSEMENT: Cancer et effets su la Reproductive - www.P65Warnings.ca.gov.

LIST PRICE

| Strainer Designation | Dim. in Inches | | Approx. Wt. Lbs. | Open Area Sq. In. | Nickel Bronze |
|----------------------|----------------|-------------------|------------------|-------------------|---------------|
| | Strainer Dia. | Strainer Ht. (H1) | | | |
| -5A | 5 | 2.20 | 2 | 9.0 | \$230.00 |
| -6A | 6 | 2.20 | 2 | 10.6 | \$314.00 |
| -7A | 7 | 2.60 | 3 | 15.8 | \$386.00 |
| -8A | 8 | 2.70 | 4 | 20.8 | \$521.00 |
| -10A | 10 | 2.85 | 6 | 31.0 | \$767.00 |

S100-S

SQUARE ADJUSTABLE STRAINER - NICKEL BRONZE



Engineering Specification:

SUN® S100-S square nickel bronze adjustable light duty strainer top with vandal resistant secured heel proof grate.

| SUFFIXES | ADD |
|--------------------|---------|
| -B Sediment Bucket | \$86.00 |

- ⚠ WARNING: Cancer and Reproductive Harm - www.P65Warnings.ca.gov.
- ⚠ ADVERTENCIA: Cáncer y daño a la reproducción - www.P65Warnings.ca.gov.
- ⚠ AVERTISSEMENT: Cancer et effets su la Reproductive - www.P65Warnings.ca.gov.

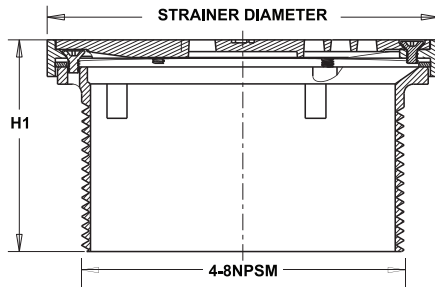
LIST PRICE

| Strainer Designation | Dim. in Inches | | Approx. Wt. Lbs. | Open Area Sq. In. | Nickel Bronze |
|----------------------|----------------|-------------------|------------------|-------------------|---------------|
| | Strainer Size | Strainer Ht. (H1) | | | |
| -5S | 5x5 | 2.15 | 2 | 9.0 | \$357.00 |
| -6S | 6x6 | 2.40 | 3 | 10.6 | \$416.00 |
| -7S | 7x7 | 2.40 | 4 | 15.8 | \$530.00 |
| -8S | 8x8 | 2.40 | 5 | 20.8 | \$671.00 |
| -10S | 10x10 | 2.55 | 8 | 31.0 | \$1,155.00 |

FLOOR DRAINS

S100-AL

ROUND ADJUSTABLE LEVELING STRAINER - NICKEL BRONZE



Engineering Specification:

SUN® S100-AL round nickel bronze adjustable leveling medium duty strainer top with shim, vandal resistant secured heel proof grate, and threaded ductile iron head.

| SUFFIXES | ADD |
|--------------------|---------|
| -B Sediment Bucket | \$86.00 |

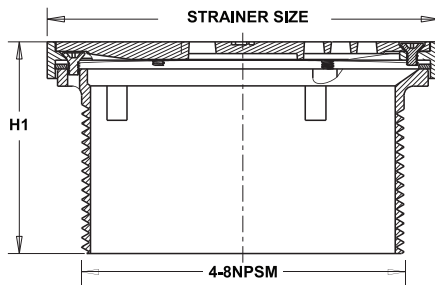
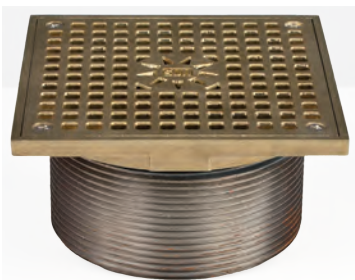
- ▲ WARNING: Cancer and Reproductive Harm - www.P65Warnings.ca.gov.
- ▲ ADVERTENCIA: Cáncer y daño a la reproducción - www.P65Warnings.ca.gov.
- ▲ AVERTISSEMENT: Cancer et effets su la Reproductive - www.P65Warnings.ca.gov.

LIST PRICE

| Strainer Designation | Dim. in Inches | | Approx. Wt. Lbs. | Open Area Sq. In. | Nickel Bronze |
|----------------------|----------------|-------------------|------------------|-------------------|---------------|
| | Strainer Dia. | Strainer Ht. (H1) | | | |
| -5AL | 5 | 2.80 | 2 | 9.0 | \$230.00 |
| -6AL | 6 | 2.80 | 3 | 10.6 | \$314.00 |
| -7AL | 7 | 2.80 | 4 | 15.8 | \$386.00 |
| -8AL | 8 | 2.90 | 5 | 20.8 | \$521.00 |
| -10AL | 10 | 2.90 | 6 | 31.0 | \$767.00 |

S100-SL

SQUARE ADJUSTABLE LEVELING STRAINER - NICKEL BRONZE



Engineering Specification:

SUN® S100-SL square nickel bronze adjustable leveling medium duty strainer top with shim, vandal resistant secured heel proof grate, and threaded ductile iron head.

| SUFFIXES | ADD |
|--------------------|---------|
| -B Sediment Bucket | \$86.00 |

- ▲ WARNING: Cancer and Reproductive Harm - www.P65Warnings.ca.gov.
- ▲ ADVERTENCIA: Cáncer y daño a la reproducción - www.P65Warnings.ca.gov.
- ▲ AVERTISSEMENT: Cancer et effets su la Reproductive - www.P65Warnings.ca.gov.

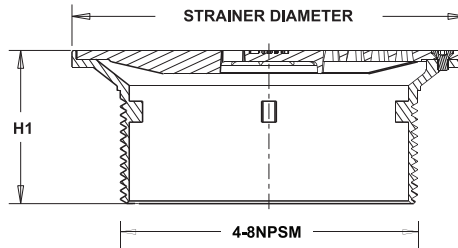
LIST PRICE

| Strainer Designation | Dim. in Inches | | Approx. Wt. Lbs. | Open Area Sq. In. | Nickel Bronze |
|----------------------|----------------|-------------------|------------------|-------------------|---------------|
| | Strainer Size | Strainer Ht. (H1) | | | |
| -5SL | 5x5 | 2.85 | 2 | 9.0 | \$357.00 |
| -6SL | 6x6 | 2.85 | 3 | 10.6 | \$416.00 |
| -7SL | 7x7 | 2.85 | 4 | 15.8 | \$530.00 |
| -8SL | 8x8 | 3.00 | 5 | 20.8 | \$671.00 |
| -10SL | 10x10 | 3.00 | 8 | 31.0 | \$1,155.00 |

FLOOR DRAINS

S100-A-SS

ROUND ADJUSTABLE STRAINER - STAINLESS STEEL



Engineering Specification:

SUN® S100-A-SS round stainless steel adjustable heavy duty strainer top with vandal resistant secured heel proof grate.

| SUFFIXES | ADD |
|--------------------|---------|
| -B Sediment Bucket | \$86.00 |

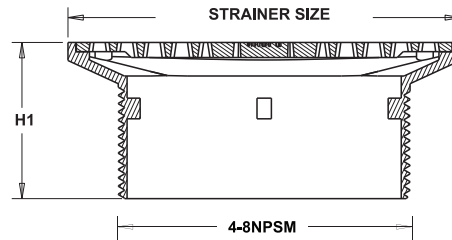
- ⚠ WARNING: Cancer and Reproductive Harm - www.P65Warnings.ca.gov.
- ⚠ ADVERTENCIA: Cáncer y daño a la reproducción - www.P65Warnings.ca.gov.
- ⚠ AVERTISSEMENT: Cancer et effets su la Reproductive - www.P65Warnings.ca.gov.

LIST PRICE

| Strainer Designation | Dim. in Inches | | Approx. Wt. Lbs. | Open Area Sq. In. | Stainless Steel |
|----------------------|----------------|-------------------|------------------|-------------------|-----------------|
| | Strainer Dia. | Strainer Ht. (H1) | | | |
| -5A-SS | 5 | 2.20 | 3 | 9.0 | \$671.00 |
| -6A-SS | 6 | 2.20 | 3 | 10.6 | \$875.00 |

S100-S-SS

SQUARE ADJUSTABLE STRAINER - STAINLESS STEEL



Engineering Specification:

SUN® S100-S-SS square stainless steel adjustable heavy duty strainer top with vandal resistant secured heel proof grate.

| SUFFIXES | ADD |
|--------------------|---------|
| -B Sediment Bucket | \$86.00 |

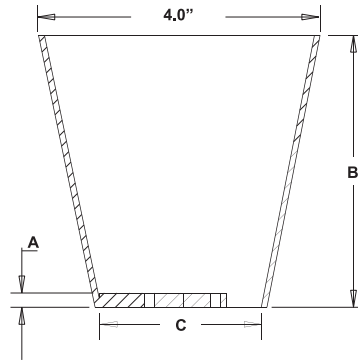
- ⚠ WARNING: Cancer and Reproductive Harm - www.P65Warnings.ca.gov.
- ⚠ ADVERTENCIA: Cáncer y daño a la reproducción - www.P65Warnings.ca.gov.
- ⚠ AVERTISSEMENT: Cancer et effets su la Reproductive - www.P65Warnings.ca.gov.

LIST PRICE

| Strainer Designation | Dim. in Inches | | Approx. Wt. Lbs. | Open Area Sq. In. | Stainless Steel |
|----------------------|----------------|-------------------|------------------|-------------------|-----------------|
| | Strainer Size | Strainer Ht. (H1) | | | |
| -5S-SS | 5x5 | 2.15 | 3 | 9.0 | \$710.00 |
| -6S-SS | 6x6 | 2.47 | 3.1 | 19.3 | \$905.00 |

FLOOR DRAINS

S100-F4 ROUND FUNNEL ASSEMBLY



Engineering Specification:

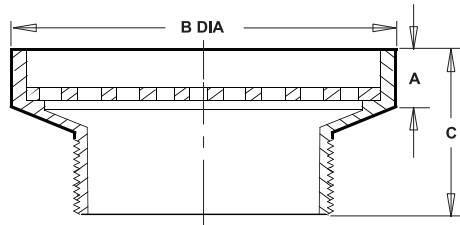
SUN® S100-F4 Round Nickel Bronze funnel assembly, with fasteners to secure funnel to strainer.

- ⚠ WARNING: Cancer and Reproductive Harm - www.P65Warnings.ca.gov.
- ⚠ ADVERTENCIA: Cáncer y daño a la reproducción - www.P65Warnings.ca.gov.
- ⚠ AVERTISSEMENT: Cancer et effets su la Reproductive - www.P65Warnings.ca.gov.

LIST PRICE

| Product Desig. | Dimensions in Inches | | | Approx. Wt. Lbs. | Nickel Bronze |
|----------------|----------------------|------|------|------------------|---------------|
| | A | B | C | | |
| -F4 | 0.20 | 3.75 | 2.30 | 2 | \$332.00 |

S100-R ROUND ADJUSTABLE RECESSED STRAINER



Engineering Specification:

SUN® S100-R adjustable round recessed top vandal resistant secured grate.

| SUFFIXES | ADD |
|--------------------|---------|
| -B Sediment Bucket | \$86.00 |

- ⚠ WARNING: Cancer and Reproductive Harm - www.P65Warnings.ca.gov.
- ⚠ ADVERTENCIA: Cáncer y daño a la reproducción - www.P65Warnings.ca.gov.
- ⚠ AVERTISSEMENT: Cancer et effets su la Reproductive - www.P65Warnings.ca.gov.

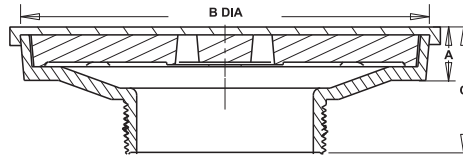
LIST PRICE

| Product Desig. | Dimensions in Inches | | | Approx. Wt. Lbs. | Grate Open Area SQ IN | Nickel Bronze |
|----------------|----------------------|----|-------|------------------|-----------------------|---------------|
| | A | B | C | | | |
| -7R | 1 1/4 | 7 | 3 3/8 | 5 | 16.1 | \$729.00 |
| -10R | 1 | 10 | 3 1/2 | 8 | 26.1 | \$1,084.00 |

FLOOR DRAINS

S100-N

ADJUSTABLE ROUND HEAVY DUTY NICKEL BRONZE VENEER TOP



Engineering Specification:

SUN® S100-N Series adjustable round heavy duty nickel bronze veneer vandal resistant secured heel proof grate.

| SUFFIXES | ADD |
|--------------------|---------|
| -B Sediment Bucket | \$86.00 |

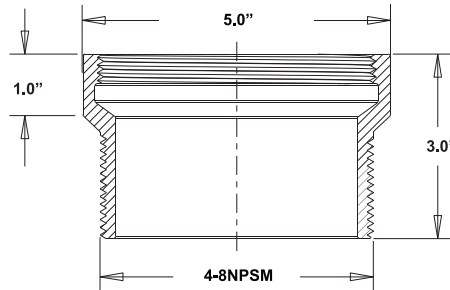
| SUFFIXES | DEDUCT |
|--------------------------|----------|
| -7DI 7" Ductile Iron Top | \$314.00 |
| -9DI 9" Ductile Iron Top | \$354.00 |

- ⚠ WARNING: Cancer and Reproductive Harm - www.P65Warnings.ca.gov.
- ⚠ ADVERTENCIA: Cáncer y daño a la reproducción - www.P65Warnings.ca.gov.
- ⚠ AVERTISSEMENT: Cancer et effets su la Reproductive - www.P65Warnings.ca.gov.

| LIST PRICE | | | | | | |
|----------------|----------------------|-------|---|------------------|-----------------------|---------------|
| Product Desig. | Dimensions in Inches | | | Approx. Wt. Lbs. | Grate Open Area SQ IN | Nickel Bronze |
| | A | B | C | | | |
| -7N | 1 1/8 | 7 1/4 | 3 | 8.20 | 17.0 | \$729.00 |
| -9N | 1 1/4 | 9 3/8 | 3 | 13.45 | 22.45 | \$1,070.00 |

S100-U

ADJUSTABLE STRAINER EXTENSION



Engineering Specification:

SUN® S100-U coated cast iron strainer extension.

| EXTENSION HEIGHT | |
|------------------|--------|
| MIN. | MAX. |
| 1 1/2" | 2 1/2" |

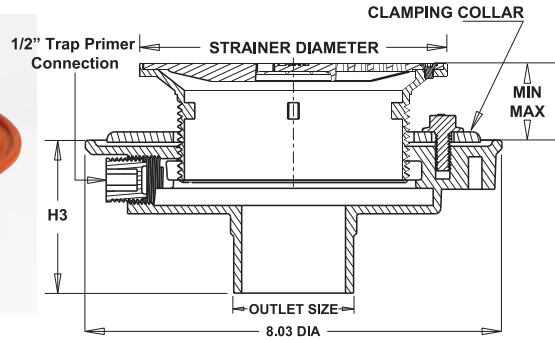
- ⚠ WARNING: Cancer and Reproductive Harm - www.P65Warnings.ca.gov.
- ⚠ ADVERTENCIA: Cáncer y daño a la reproducción - www.P65Warnings.ca.gov.
- ⚠ AVERTISSEMENT: Cancer et effets su la Reproductive - www.P65Warnings.ca.gov.

| LIST PRICE | | |
|----------------|------------------|-----------|
| Product Desig. | Approx. Wt. Lbs. | Cast Iron |
| -U | 3 | \$110.00 |

FLOOR DRAINS

FD1000-A

FLOOR DRAIN - TYPE "A" ROUND ADJUSTABLE STRAINER



Engineering Specification:

SUN® FD1000-A coated cast iron floor drain body with anchor flange, weep holes, clamping collar, adjustable round nickel bronze top with vandal resistant secured heel proof grate, 1/2" NPT trap primer (plugged) and bottom outlet.

OUTLETS (Specify pipe size in inches and type of outlet)

| Outlet Type | Outlet Desig. Pipe Size/ Outlet Type | Body Ht. H3 | ADD |
|--------------|--------------------------------------|-------------|---------|
| Inside Caulk | 2IC, 3IC, 4IC..... | 3.92 | N/C |
| No Hub | 2NH, 3NH, 4NH..... | 3.00 | N/C |
| Push On | 2PO, 3PO, 4PO..... | 3.00 | N/C |
| Threaded | 2TH, 3TH, 4TH..... | 2.50 | \$62.00 |

SUFFIXES

| SUFFIXES | ADD |
|---|----------|
| -AR Acid Resistant Epoxy Coated Cast Iron | \$134.00 |
| -B Sediment Bucket | \$86.00 |
| -F4 Round Funnel Assembly | \$332.00 |
| -G Galvanized Cast Iron | \$156.00 |
| -U 1"-3" High Extension Adapter | \$110.00 |

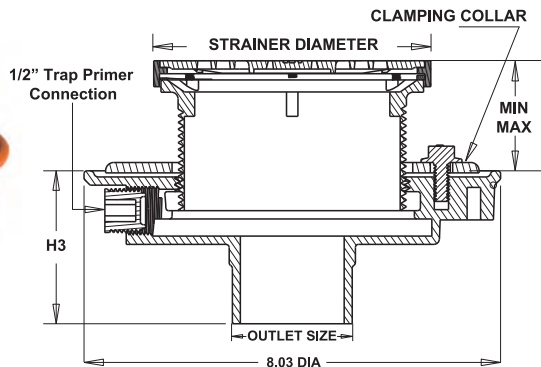
⚠ WARNING: Cancer and Reproductive Harm - www.P65Warnings.ca.gov.
 ⚠ ADVERTENCIA: Cáncer y daño a la reproducción - www.P65Warnings.ca.gov.
 ⚠ AVERTISSEMENT: Cancer et effets su la Reproductive - www.P65Warnings.ca.gov.

LIST PRICE

| Strainer Desig. | Dimensions in Inches | | Approx. Weight Lbs. | Str. Open Area Sq. In. | NB Str. With FD1000 | Body Only |
|-----------------|----------------------|---------------------|---------------------|------------------------|---------------------|-----------|
| | Strainer Dia. | Strainer Adjustment | | | | |
| -5A | 5 | 0.95 - 2.20 | 9 | 9.0 | \$382.00 | \$152.00 |
| -6A | 6 | 1.00 - 2.50 | 9 | 10.6 | \$469.00 | |
| -7A | 7 | 1.30 - 2.60 | 10 | 15.8 | \$537.00 | |
| -8A | 8 | 1.40 - 2.70 | 11 | 20.8 | \$672.00 | |
| -10A | 10 | 1.60 - 2.85 | 13 | 31.0 | \$1,197.00 | |

FD1000-AL

FLOOR DRAIN - TYPE "AL" ROUND ADJUSTABLE LEVELING STRAINER



Engineering Specification:

SUN® FD1000-AL coated cast iron floor drain body with anchor flange, weep holes, clamping collar, round adjustable leveling nickel bronze top and shim with ductile iron threaded head, vandal resistant secured heel proof grate, 1/2" NPT trap primer (plugged) and bottom outlet.

OUTLETS (Specify pipe size in inches and type of outlet)

| Outlet Type | Outlet Desig. Pipe Size/ Outlet Type | Body Ht. H3 | ADD |
|--------------|--------------------------------------|-------------|---------|
| Inside Caulk | 2IC, 3IC, 4IC..... | 3.92 | N/C |
| No Hub | 2NH, 3NH, 4NH..... | 3.00 | N/C |
| Push On | 2PO, 3PO, 4PO..... | 3.00 | N/C |
| Threaded | 2TH, 3TH, 4TH..... | 2.50 | \$62.00 |

SUFFIXES

| SUFFIXES | ADD |
|---|----------|
| -AR Acid Resistant Epoxy Coated Cast Iron | \$134.00 |
| -B Sediment Bucket | \$86.00 |
| -F4 Round Funnel Assembly | \$332.00 |
| -G Galvanized Cast Iron | \$156.00 |
| -U 1"-3" High Extension Adapter | \$110.00 |

⚠ WARNING: Cancer and Reproductive Harm - www.P65Warnings.ca.gov.
 ⚠ ADVERTENCIA: Cáncer y daño a la reproducción - www.P65Warnings.ca.gov.
 ⚠ AVERTISSEMENT: Cancer et effets su la Reproductive - www.P65Warnings.ca.gov.

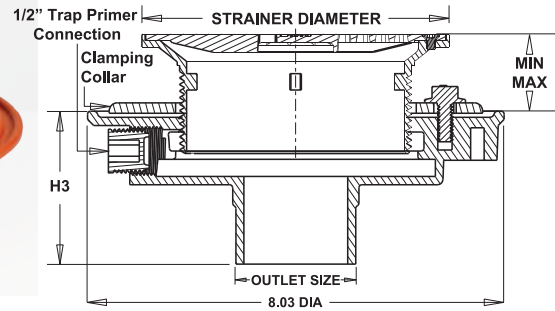
LIST PRICE

| Strainer Desig. | Dimensions in Inches | | Approx. Weight Lbs. | Str. Open Area Sq. In. | NB Str. With FD1000 | Body Only |
|-----------------|----------------------|---------------------|---------------------|------------------------|---------------------|-----------|
| | Strainer Dia. | Strainer Adjustment | | | | |
| -5AL | 5 | 1.60 - 2.40 | 9 | 9.0 | \$382.00 | \$152.00 |
| -6AL | 6 | | 10 | 10.6 | \$467.00 | |
| -7AL | 7 | 10 | 15.8 | \$537.00 | | |
| -8AL | 8 | 1.65 - 2.50 | 11 | 20.8 | \$672.00 | |
| -10AL | 10 | | 13 | 31.0 | \$1,197.00 | |

FLOOR DRAINS

FD1000-S

FLOOR DRAIN - TYPE "S" SQUARE ADJUSTABLE STRAINER



Engineering Specification:

SUN® FD1000-S coated cast iron floor drain body with anchor flange, weep holes, clamping collar, adjustable square nickel bronze top with vandal resistant secured heel proof grate, 1/2" NPT trap primer (plugged) and bottom outlet.

OUTLETS (Specify pipe size in inches and type of outlet)

| Outlet Type | Outlet Desig. Pipe Size/ Outlet Type | Body Ht. H3 | ADD |
|--------------|--------------------------------------|-------------|---------|
| Inside Caulk | 2IC, 3IC, 4IC..... | 3.92 | N/C |
| No Hub | 2NH, 3NH, 4NH..... | 3.00 | N/C |
| Push On | 2PO, 3PO, 4PO..... | 3.00 | N/C |
| Threaded | 2TH, 3TH, 4TH..... | 2.50 | \$62.00 |

SUFFIXES

| SUFFIXES | ADD |
|---|----------|
| -AR Acid Resistant Epoxy Coated Cast Iron | \$134.00 |
| -B Sediment Bucket | \$86.00 |
| -F4 Round Funnel Assembly | \$332.00 |
| -G Galvanized Cast Iron | \$156.00 |
| -U 1"-3" High Extension Adapter | \$110.00 |

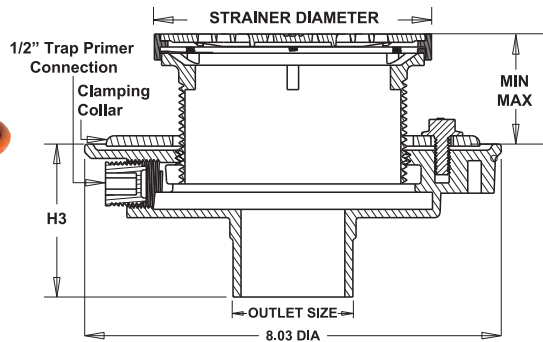
▲ WARNING: Cancer and Reproductive Harm - www.P65Warnings.ca.gov.
▲ ADVERTENCIA: Cáncer y daño a la reproducción - www.P65Warnings.ca.gov.
▲ AVERTISSEMENT: Cancer et effets su la Reproductive - www.P65Warnings.ca.gov.

LIST PRICE

| Strainer Desig. | Dimensions in Inches | | Approx. Weight Lbs. | Str. Open Area Sq. In. | NB Str. With FD1000 | Body Only |
|-----------------|----------------------|------------------------------|---------------------|------------------------|---------------------|-----------|
| | Strainer Size | Strainer Adjustment Min. Max | | | | |
| -5S | 5x5 | 0.95 2.20 | 9 | 9.0 | \$509.00 | \$152.00 |
| -6S | 6x6 | 1.00 2.50 | 10 | 13.3 | \$568.00 | |
| -7S | 7x7 | 1.30 2.60 | 11 | 18.8 | \$682.00 | |
| -8S | 8x8 | 1.40 2.70 | 12 | 24.0 | \$823.00 | |
| -10S | 10x10 | 1.60 2.85 | 15 | 31.0 | \$1,585.00 | |

FD1000-SL

FLOOR DRAIN - TYPE "SL" SQUARE ADJUSTABLE LEVELING STRAINER



Engineering Specification:

SUN® FD1000-SL coated cast iron floor drain body with anchor flange, weep holes, clamping collar, square adjustable leveling nickel bronze top and shim with ductile iron threaded head, vandal resistant secured heel proof grate, 1/2" NPT trap primer (plugged) and bottom outlet.

OUTLETS (Specify pipe size in inches and type of outlet)

| Outlet Type | Outlet Desig. Pipe Size/ Outlet Type | Body Ht. H3 | ADD |
|--------------|--------------------------------------|-------------|---------|
| Inside Caulk | 2IC, 3IC, 4IC..... | 3.92 | N/C |
| No Hub | 2NH, 3NH, 4NH..... | 3.00 | N/C |
| Push On | 2PO, 3PO, 4PO..... | 3.00 | N/C |
| Threaded | 2TH, 3TH, 4TH..... | 2.50 | \$62.00 |

SUFFIXES

| SUFFIXES | ADD |
|---|----------|
| -AR Acid Resistant Epoxy Coated Cast Iron | \$134.00 |
| -B Sediment Bucket | \$86.00 |
| -F4 Round Funnel Assembly | \$332.00 |
| -G Galvanized Cast Iron | \$156.00 |
| -U 1"-3" High Extension Adapter | \$110.00 |

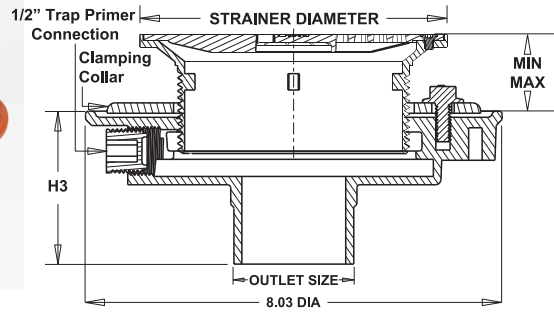
▲ WARNING: Cancer and Reproductive Harm - www.P65Warnings.ca.gov.
▲ ADVERTENCIA: Cáncer y daño a la reproducción - www.P65Warnings.ca.gov.
▲ AVERTISSEMENT: Cancer et effets su la Reproductive - www.P65Warnings.ca.gov.

LIST PRICE

| Strainer Desig. | Dimensions in Inches | | Approx. Weight Lbs. | Str. Open Area Sq. In. | NB Str. With FD1000 | Body Only |
|-----------------|----------------------|------------------------------|---------------------|------------------------|---------------------|-----------|
| | Strainer Size | Strainer Adjustment Min. Max | | | | |
| -5SL | 5x5 | 1.55 2.40 | 10 | 9.0 | \$509.00 | \$152.00 |
| -6SL | 6x6 | | 10 | 13.3 | \$568.00 | |
| -7SL | 7x7 | 12 | 18.8 | \$682.00 | | |
| -8SL | 8x8 | 13 | 24.0 | \$823.00 | | |
| -10SL | 10x10 | 16 | 31.0 | \$1,585.00 | | |

FLOOR DRAINS

FD1000-A-SS FLOOR DRAIN - TYPE "A-SS" ROUND ADJUSTABLE STRAINER



Engineering Specification:

SUN® FD1000-A-SS coated cast iron floor drain body with anchor flange, weep holes, clamping collar, adjustable heavy duty round stainless steel top with vandal resistant secured heel proof grate, 1/2" NPT trap primer (plugged) and bottom outlet.

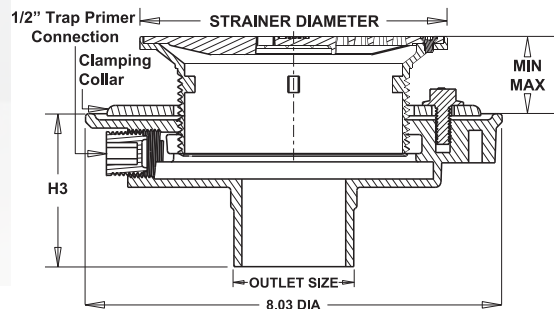
| OUTLETS (Specify pipe size in inches and type of outlet) | | | |
|--|--------------------------------------|-------------|---------|
| Outlet Type | Outlet Desig. Pipe Size/ Outlet Type | Body Ht. H3 | ADD |
| Inside Caulk | 2IC, 3IC, 4IC..... | 3.92 | N/C |
| No Hub | 2NH, 3NH, 4NH..... | 3.00 | N/C |
| Push On | 2PO, 3PO, 4PO..... | 3.00 | N/C |
| Threaded | 2TH, 3TH, 4TH..... | 2.50 | \$62.00 |

| SUFFIXES | ADD |
|---|----------|
| -AR Acid Resistant Epoxy Coated Cast Iron | \$134.00 |
| -B Sediment Bucket | \$86.00 |
| -F4 Round Funnel Assembly | \$332.00 |
| -G Galvanized Cast Iron | \$156.00 |
| -U 1"-3" High Extension Adapter | \$110.00 |

⚠ WARNING: Cancer and Reproductive Harm - www.P65Warnings.ca.gov.
 ⚠ ADVERTENCIA: Cáncer y daño a la reproducción - www.P65Warnings.ca.gov.
 ⚠ AVERTISSEMENT: Cancer et effets su la Reproductive - www.P65Warnings.ca.gov.

| LIST PRICE | | | | | | | |
|-----------------|----------------------|---------------------|------|---------------------|------------------------|---------------------|-----------|
| Strainer Desig. | Dimensions in Inches | | | Approx. Weight Lbs. | Str. Open Area Sq. In. | SS Str. With FD1000 | Body Only |
| | Strainer Dia. | Strainer Adjustment | | | | | |
| | | Min. | Max | | | | |
| -5A-SS | 5 | 0.95 | 2.20 | 10 | 9.0 | \$823.00 | \$152.00 |
| -6A-SS | 6 | 1.00 | 2.50 | 10 | 10.6 | \$1,027.00 | |

FD1000-S-SS FLOOR DRAIN - TYPE "S-SS" SQUARE ADJUSTABLE STRAINER



Engineering Specification:

SUN® FD1000-S-SS coated cast iron floor drain body with anchor flange, weep holes, clamping collar, adjustable heavy duty square stainless steel top with vandal resistant secured heel proof grate, 1/2" NPT trap primer (plugged) and bottom outlet.

| OUTLETS (Specify pipe size in inches and type of outlet) | | | |
|--|--------------------------------------|-------------|---------|
| Outlet Type | Outlet Desig. Pipe Size/ Outlet Type | Body Ht. H3 | ADD |
| Inside Caulk | 2IC, 3IC, 4IC..... | 3.92 | N/C |
| No Hub | 2NH, 3NH, 4NH..... | 3.00 | N/C |
| Push On | 2PO, 3PO, 4PO..... | 3.00 | N/C |
| Threaded | 2TH, 3TH, 4TH..... | 2.50 | \$62.00 |

| SUFFIXES | ADD |
|---|----------|
| -AR Acid Resistant Epoxy Coated Cast Iron | \$134.00 |
| -B Sediment Bucket | \$86.00 |
| -F4 Round Funnel Assembly | \$332.00 |
| -G Galvanized Cast Iron | \$156.00 |
| -U 1"-3" High Extension Adapter | \$110.00 |

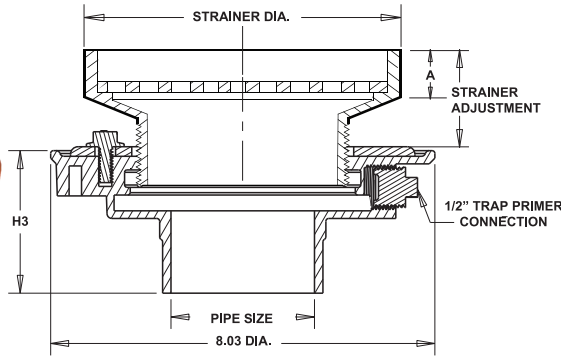
⚠ WARNING: Cancer and Reproductive Harm - www.P65Warnings.ca.gov.
 ⚠ ADVERTENCIA: Cáncer y daño a la reproducción - www.P65Warnings.ca.gov.
 ⚠ AVERTISSEMENT: Cancer et effets su la Reproductive - www.P65Warnings.ca.gov.

| LIST PRICE | | | | | | | |
|-----------------|----------------------|---------------------|------|---------------------|------------------------|---------------------|-----------|
| Strainer Desig. | Dimensions in Inches | | | Approx. Weight Lbs. | Str. Open Area Sq. In. | SS Str. With FD1000 | Body Only |
| | Strainer Size | Strainer Adjustment | | | | | |
| | | Min. | Max | | | | |
| -5S-SS | 5x5 | 1.55 | 2.40 | 10 | 9.0 | \$863.00 | \$152.00 |
| -6S-SS | 6x6 | 1.55 | 2.40 | 10.1 | 19.3 | \$1,057.00 | |

FLOOR DRAINS

FD1000-R

FLOOR DRAIN - ROUND ADJUSTABLE RECESSED STRAINER



Engineering Specification:

SUN® FD1000-R Series coated cast iron floor drain body with anchor flange, weep holes, clamping collar, adjustable round recessed top vandal resistant secured grate, 1/2" NPT trap primer (plugged) and bottom outlet.

OUTLETS (Specify pipe size in inches and type of outlet)

| Outlet Type | Outlet Desig. Pipe Size/ Outlet Type | Body Ht. H3 | ADD |
|--------------|--------------------------------------|-------------|---------|
| Inside Caulk | 2IC, 3IC, 4IC..... | 3.92 | N/C |
| No Hub | 2NH, 3NH, 4NH..... | 3.00 | N/C |
| Push On | 2PO, 3PO, 4PO..... | 3.00 | N/C |
| Threaded | 2TH, 3TH, 4TH..... | 2.50 | \$62.00 |

SUFFIXES ADD

| | | |
|-----|---------------------------------------|----------|
| -AR | Acid Resistant Epoxy Coated Cast Iron | \$134.00 |
| -B | Sediment Bucket | \$86.00 |
| -G | Galvanized Cast Iron | \$156.00 |

⚠ WARNING: Cancer and Reproductive Harm - www.P65Warnings.ca.gov.
 ⚠ ADVERTENCIA: Cáncer y daño a la reproducción - www.P65Warnings.ca.gov.
 ⚠ AVERTISSEMENT: Cancer et effets su la Reproductive - www.P65Warnings.ca.gov.

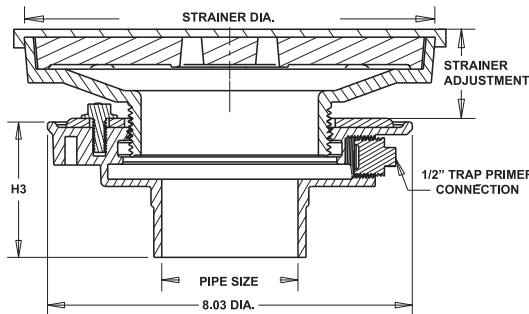
LIST PRICE

| STRAINER DESIGN | STRAINER DIAMETER | GRATE ADJUSTMENT | | Free Area | A | NB Strainer w/ FD1000 | Body Only |
|-----------------|-------------------|------------------|-----|----------------------|--------|-----------------------|-----------|
| | | MIN | MAX | | | | |
| 7R | 7" | 2 1/8" | 3 | 15.8 in ² | 1 1/4" | \$881.00 | \$152.00 |
| 10R | 10" | 2 1/2" | 3 | 31.0 in ² | 1" | \$1,235.00 | |

* ANSI load class - LD = Light Duty (< 2,000 LBS)

FD1000-N

ROUND HD NICKEL BRONZE VENEER TOP ADJUSTABLE



Engineering Specification:

SUN® FD1000-N Series coated cast iron floor drain with anchor flange, weep holes, clamping collar, adjustable round heavy duty nickel bronze veneer vandal resistant secured heel proof grate, 1/2" NPT trap primer (plugged) and bottom outlet.

OUTLETS (Specify pipe size in inches and type of outlet)

| Outlet Type | Outlet Desig. Pipe Size/ Outlet Type | Body Ht. H3 | ADD |
|--------------|--------------------------------------|-------------|---------|
| Inside Caulk | 2IC, 3IC, 4IC..... | 3.92 | N/C |
| No Hub | 2NH, 3NH, 4NH..... | 3.00 | N/C |
| Push On | 2PO, 3PO, 4PO..... | 3.00 | N/C |
| Threaded | 2TH, 3TH, 4TH..... | 2.50 | \$62.00 |

SUFFIXES ADD

| | | |
|-----|---------------------------------------|----------|
| -AR | Acid Resistant Epoxy Coated Cast Iron | \$134.00 |
| -B | Sediment Bucket | \$86.00 |
| -G | Galvanized Cast Iron | \$156.00 |

SUFFIXES DEDUCT

| | | |
|------|---------------------|----------|
| -7DI | 7" Ductile Iron Top | \$314.00 |
| -9DI | 9" Ductile Iron Top | \$354.00 |

⚠ WARNING: Cancer and Reproductive Harm - www.P65Warnings.ca.gov.
 ⚠ ADVERTENCIA: Cáncer y daño a la reproducción - www.P65Warnings.ca.gov.
 ⚠ AVERTISSEMENT: Cancer et effets su la Reproductive - www.P65Warnings.ca.gov.

LIST PRICE

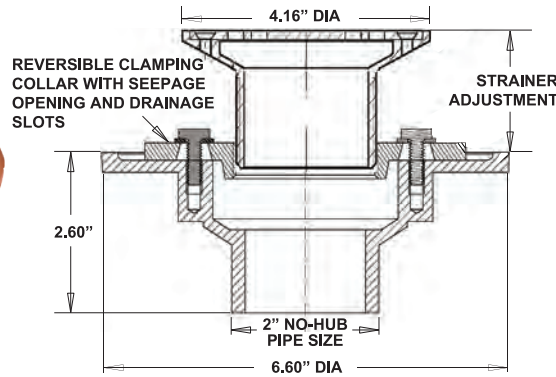
| STRAINER DESIGN | STRAINER DIAMETER | GRATE ADJUSTMENT | | Free Area | NB Strainer w/ FD1000 | Body Only |
|-----------------|-------------------|------------------|------|----------------------|-----------------------|-----------|
| | | MIN | MAX | | | |
| 7N | 7" | 1.50" | 2.75 | 15.8 in ² | \$881.00 | \$152.00 |
| 9N | 9" | 1.75" | 2.75 | 22.5 in ² | \$1,222.00 | |

* ANSI load class - HD = Heavy Duty (between 5,000 LBS - 7,499 LBS)

FLOOR DRAINS

FD1100

COMPACT ADJUSTABLE SHOWER DRAIN WITH 4" CHROME PLATED STRAINER



Engineering Specification:

SUN® FD1100 4" Dia. Light Duty Chrome Plated Adjustable Strainer with Vandal Resistant Grate, Coated Cast Iron Reversible Clamping Collar with Seepage Openings and 2" No-Hub Outlet Body.

OUTLETS (Specify pipe size in inches and type of outlet)

| Outlet Type | Outlet Desig. Pipe Size/ Outlet Type | Body Ht. H3 | ADD |
|-------------|--------------------------------------|-------------|-----|
| No Hub | 2NH | 2.60 | N/C |

SUFFIXES

| SUFFIXES | ADD |
|-------------------------------------|---------|
| -S 4" Square Chrome Plated Strainer | \$85.00 |

⚠ WARNING: Cancer and Reproductive Harm - www.P65Warnings.ca.gov.

⚠ ADVERTENCIA: Cáncer y daño a la reproducción - www.P65Warnings.ca.gov.

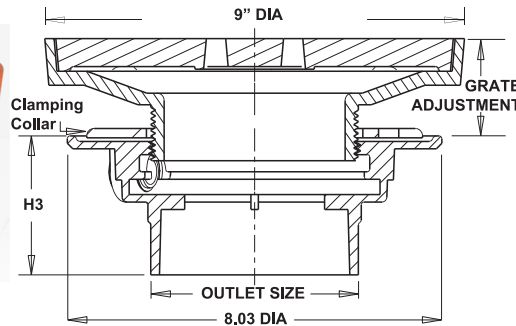
⚠ AVERTISSEMENT: Cancer et effets su la Reproductive - www.P65Warnings.ca.gov.

LIST PRICE

| Pipe Size | Strainer Adjustment (In.) | | | | Approx. Weight Lbs. | Grate Open Area Sq. In. | Chrome Strainer w/ Body | Body Only |
|-----------|---------------------------|------|--------------|-----|---------------------|-------------------------|-------------------------|-----------|
| | High Position | | Low Position | | | | | |
| | Min. | Max | Min. | Max | | | | |
| 2 | 2.20 | 1.04 | 1.04 | .74 | 4.6 | 3.50 | \$275.00 | \$190.00 |

FD1200

FLOOR DRAIN - 9" EXTRA HEAVY DUTY ADJUSTABLE ROUND TOP



Engineering Specification:

SUN® FD1200 coated cast iron floor drain body with anchor flange, weep holes, clamping collar, 9" round extra heavy duty ductile iron vandal resistant secured grate, 1/2" NPT trap primer (plugged) and bottom outlet.

OUTLETS (Specify pipe size in inches and type of outlet)

| Outlet Type | Outlet Desig. Pipe Size/ Outlet Type | Body Ht. H3 | ADD |
|--------------|--------------------------------------|-------------|---------|
| Inside Caulk | 2IC, 3IC, 4IC..... | 3.92 | N/C |
| No Hub | 2NH, 3NH, 4NH..... | 3.00 | N/C |
| Push On | 2PO, 3PO, 4PO..... | 3.00 | N/C |
| Threaded | 2TH, 3TH, 4TH..... | 2.50 | \$62.00 |

SUFFIXES

| SUFFIXES | ADD |
|---|----------|
| -AR Acid Resistant Epoxy Coated Cast Iron | \$395.00 |
| -B Sediment Bucket | \$110.00 |
| -G Galvanized Cast Iron | \$310.00 |
| -J 1"-3" High Extension Adapter | \$110.00 |
| -V Nickel Bronze Veneer | \$433.00 |

⚠ WARNING: Cancer and Reproductive Harm - www.P65Warnings.ca.gov.

⚠ ADVERTENCIA: Cáncer y daño a la reproducción - www.P65Warnings.ca.gov.

⚠ AVERTISSEMENT: Cancer et effets su la Reproductive - www.P65Warnings.ca.gov.

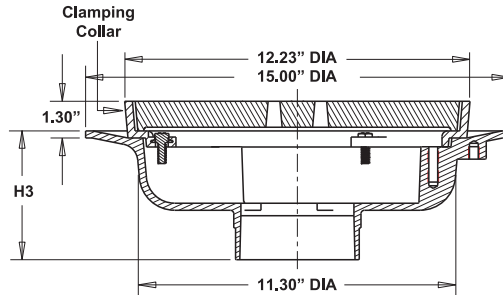
LIST PRICE

| Pipe Size | Grate Adjustment (In.) | | Approx. Weight Lbs. | Grate Open Area Sq. In. | Ductile Iron Grate |
|-----------|------------------------|------|---------------------|-------------------------|--------------------|
| | Min. | Max | | | |
| 2 - 3 - 4 | 1.55 | 2.40 | 17 | 22.50 | \$527.00 |

FLOOR DRAINS

FD1300

FLOOR DRAIN - 12" HEAVY DUTY TOP



Engineering Specification:

SUN® FD1300 coated cast iron floor drain body & clamping collar with 12" heavy duty ductile iron round vandal resistant secured grate, 1/2" NPT trap primer (plugged) and bottom outlet.

| LIST PRICE | | | |
|-------------------|------------------|-------------------------|--------------------|
| Pipe Size Inches | Approx. Wt. Lbs. | Grate Open Area Sq. In. | Ductile Iron Grate |
| 3 - 4 - 5 - 6 - 8 | 34 | 44.2 | \$1,004.00 |

OUTLETS (Specify pipe size in inches and type of outlet)

| Outlet Type | Outlet Desig. Pipe Size/ Outlet Type | Body Ht. H3 | ADD |
|--------------|--------------------------------------|-------------|---------|
| Inside Caulk | 2IC, 3IC, 4IC, 6IC | 5.31 | N/C |
| | 8IC | 5.44 | N/C |
| No Hub... | 2NH..... | 5.25 | N/C |
| | 3NH, 4NH..... | 4.60 | N/C |
| | 5NH, 6NH, 8NH | 5.25 | N/C |
| Push On... | 2PO, 3PO, 4PO..... | 4.60 | N/C |
| | 6PO..... | 5.45 | N/C |
| Threaded... | 2TH, 3TH, 4TH, 5TH, 6TH | 3.75 | \$62.00 |

SUFFIXES

| SUFFIXES | ADD |
|--|------------|
| -AE Adjustable Extension | \$572.00 |
| -AR Acid Resistant Epoxy Coated Cast Iron | \$867.00 |
| *-B Sediment Bucket | \$182.00 |
| -G Galvanized Cast Iron | \$756.00 |
| -H Hinged Square | \$527.00 |
| -PE2 2" Perforated Extension | \$619.00 |
| -PE4 4" Perforated Extension | \$619.00 |
| -S Square Rotatable Top | \$336.00 |
| -SSB Stainless Steel Fabricated Bucket | \$329.00 |
| -90 90° Threaded Side Outlet Body (2" - 4" Only) | \$287.00 |
| -90N 90° No-hub Side Outlet Body (2" - 4" Only) | \$403.00 |
| -V Nickel Bronze Veneer Round | \$570.00 |
| -VS Nickel Bronze Veneer Square | \$1,093.00 |
| -XD Extra Heavy Duty | \$202.00 |

* Not available when -AE is specified

⚠ WARNING: Cancer and Reproductive Harm - www.P65Warnings.ca.gov.

⚠ ADVERTENCIA: Cáncer y daño a la reproducción - www.P65Warnings.ca.gov.

⚠ AVERTISSEMENT: Cancer et effets sur la Reproductive - www.P65Warnings.ca.gov.

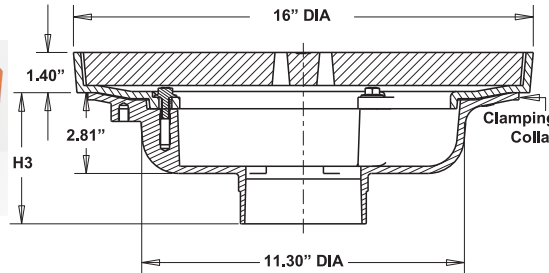
FLOOR DRAINS

FD1400

FLOOR DRAIN - 16" HEAVY DUTY TOP

Engineering Specification:

SUN® FD1400 coated cast iron floor drain body & clamping collar with 16" heavy duty ductile iron round vandal resistant secured grate, 1/2" NPT trap primer (plugged) and bottom outlet.



| LIST PRICE | | | |
|-------------------|------------------|-------------------------|--------------------|
| Pipe Size Inches | Approx. Wt. Lbs. | Grate Open Area Sq. In. | Ductile Iron Grate |
| 3 - 4 - 5 - 6 - 8 | 48 | 83.5 | \$1,983.00 |

OUTLETS (Specify pipe size in inches and type of outlet)

| Outlet Type | Outlet Desig. Pipe Size/ Outlet Type | Body Ht. H3 | ADD |
|--------------|--------------------------------------|-------------|---------|
| Inside Caulk | 2IC, 3IC, 4IC, 6IC | 5.31 | N/C |
| | 8IC | 5.44 | N/C |
| No Hub... | 2NH..... | 5.25 | N/C |
| | 3NH, 4NH..... | 4.60 | N/C |
| | 5NH, 6NH, 8NH | 5.25 | N/C |
| Push On... | 2PO, 3PO, 4PO..... | 4.60 | N/C |
| | 6PO..... | 5.45 | N/C |
| Threaded... | 2TH, 3TH, 4TH, 5TH, 6TH | 3.75 | \$62.00 |

SUFFIXES

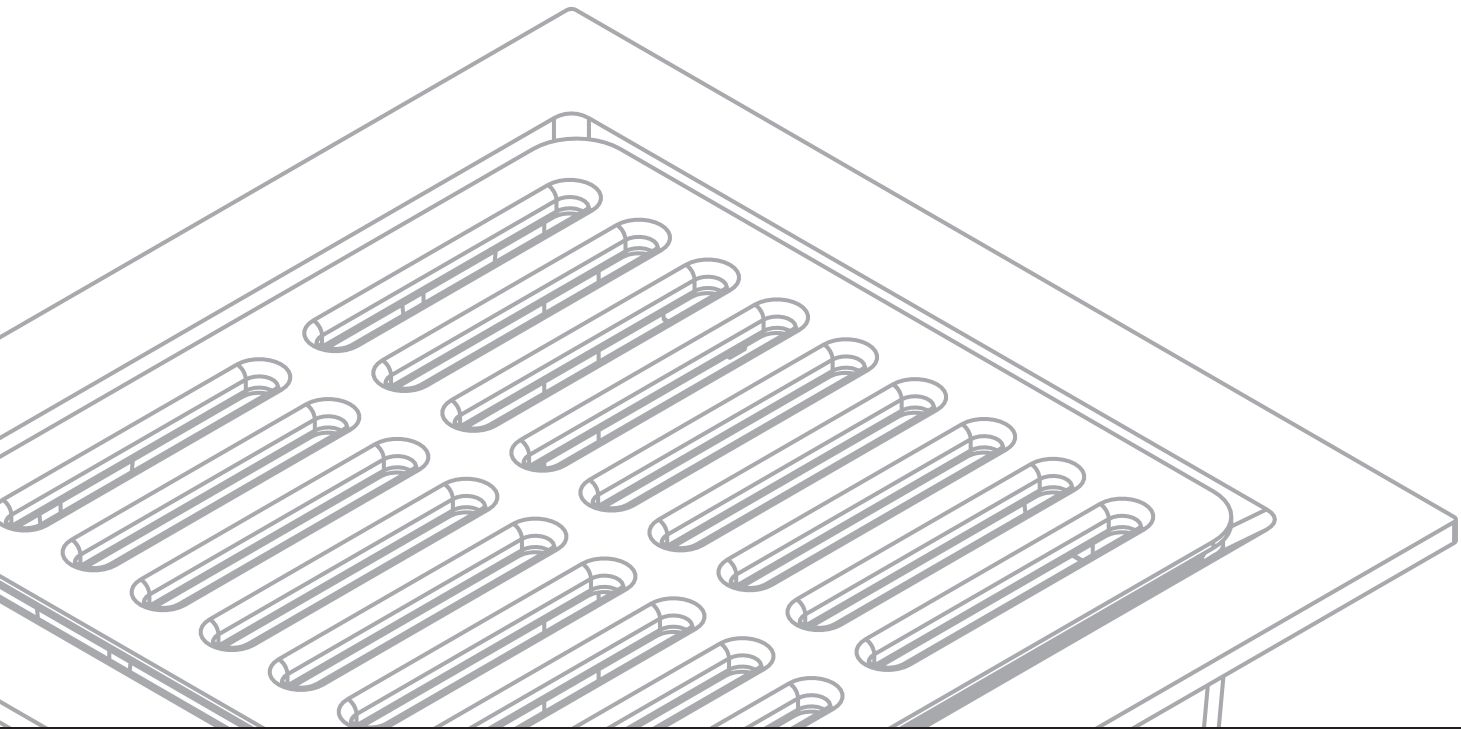
| SUFFIXES | ADD |
|---|------------|
| -AE Adjustable Extension | \$572.00 |
| -AR Acid Resistant Epoxy Coated Cast Iron | \$867.00 |
| *-B Sediment Bucket | \$182.00 |
| -G Galvanized Cast Iron | \$800.00 |
| -H Hinged Square | \$553.00 |
| -PE2 2" Perforated Extension | \$619.00 |
| -PE4 4" Perforated Extension | \$619.00 |
| -S Square Rotatable Top | \$336.00 |
| -SSB Stainless Steel Fabricated Bucket | \$329.00 |
| -90 90° Threaded Side Outlet Body (2" - 4" Only) | \$287.00 |
| -90N 90° No-hub Side Outlet Body (2" - 4" Only) | \$403.00 |
| -V Nickel Bronze Veneer Round | \$2,093.00 |
| -VS Nickel Bronze Veneer Square | \$2,291.00 |
| -XD Extra Heavy Duty | \$582.00 |

* Not available when -AE is specified

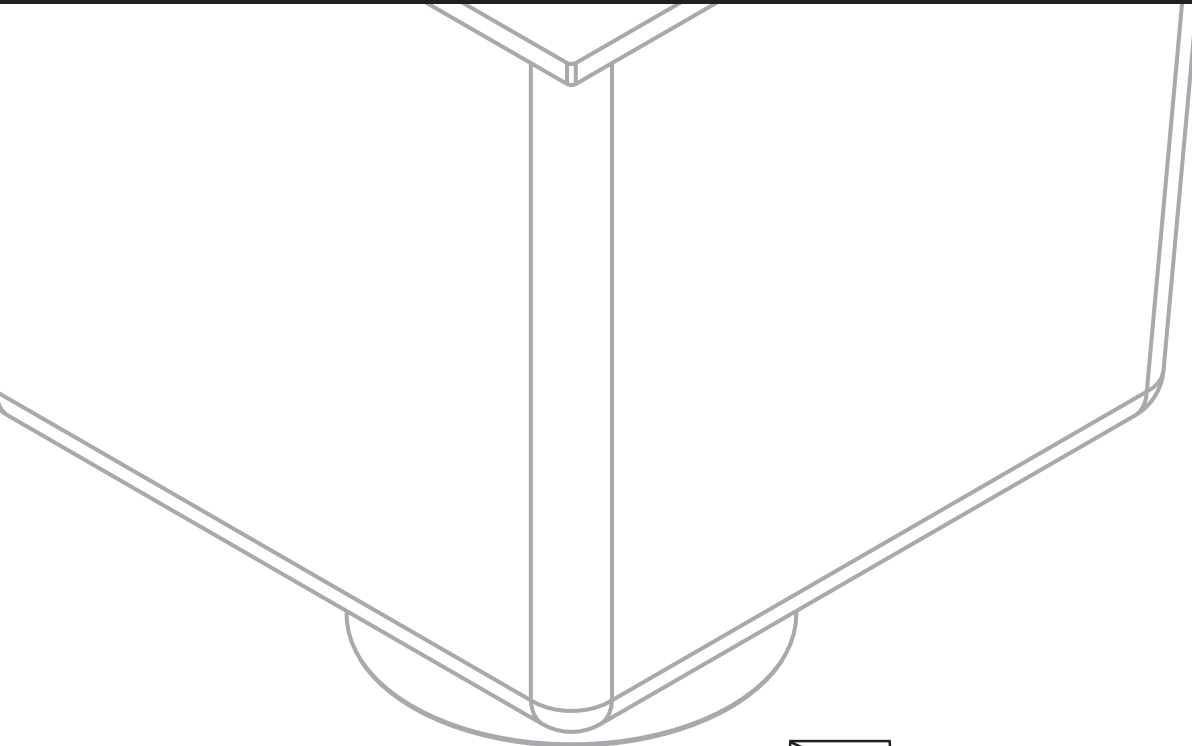
⚠ WARNING: Cancer and Reproductive Harm - www.P65Warnings.ca.gov.

⚠ ADVERTENCIA: Cáncer y daño a la reproducción - www.P65Warnings.ca.gov.

⚠ AVERTISSEMENT: Cancer et effets sur la Reproductive - www.P65Warnings.ca.gov.



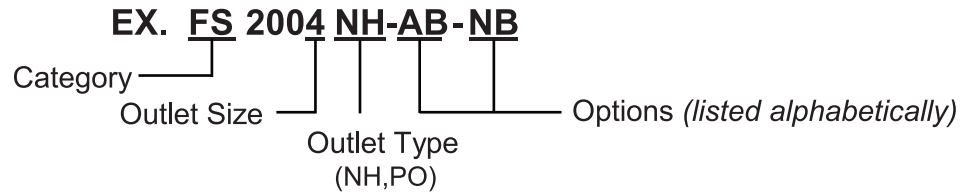
FLOOR SINKS



SUN[®] Drainage Floor Sinks comply with A112.6.7-2001

HOW TO BUILD PART NUMBERS

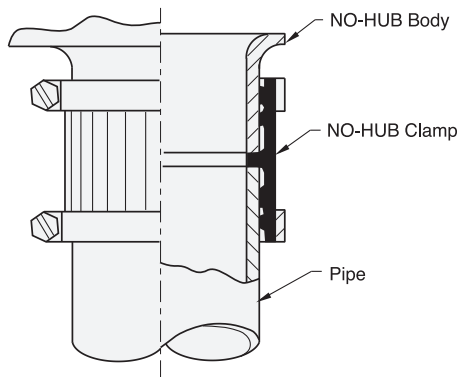
FLOOR SINKS



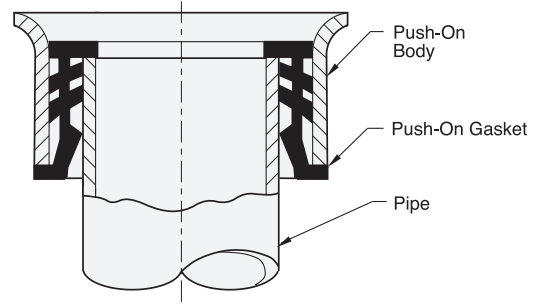
DRAIN OUTLET TYPES

| | |
|----|----------------|
| NH | No-Hub Outlet |
| PO | Push-On Outlet |

PIPE CONNECTIONS





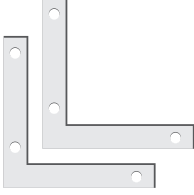
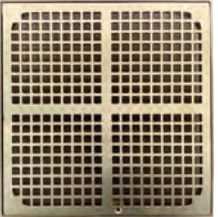

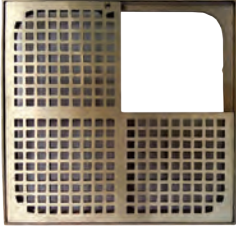
NO HUB CONNECTION - NH



PUSH-ON OUTLET - PO

FLOOR SINKS

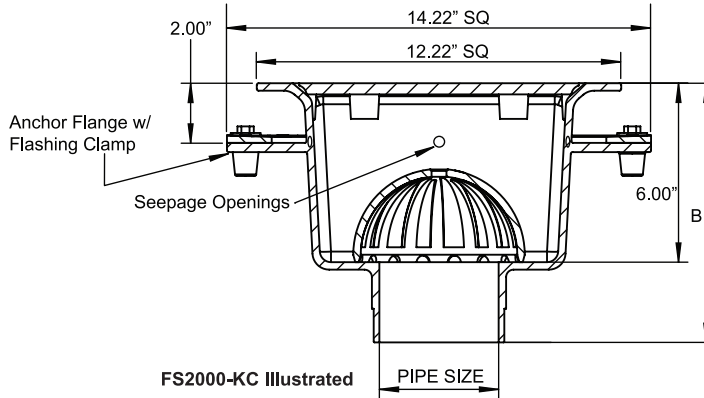
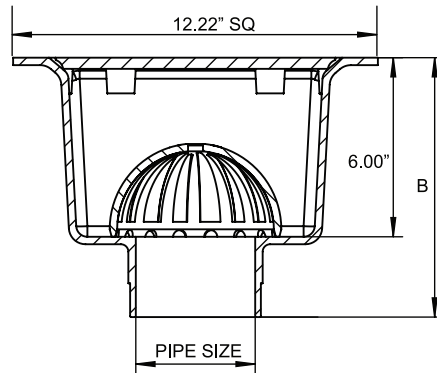
OPTIONS

| | | | |
|--|--|--|---|
| <p>Supplied Standard</p>  <p>Full A.R.E. Grate</p> | <p>-2</p>  <p>1/2 A.R.E. Grate</p> | <p>-3</p>  <p>3/4 A.R.E. Grate</p> | <p>-AB</p>  <p>Aluminum Bucket</p> |
| <p>-K</p>  <p>Anchor Flange</p> | <p>-LG</p>  <p>Less Grate</p> | <p>-KC</p>  <p>Anchor Flange with Clamping Collar</p> | <p>-NB</p>  <p>Nickel Bronze Full Grate</p> |
| <p>-NB-2</p>  <p>Nickel Bronze 1/2 Grate</p> | <p>-NB-3</p>  <p>Nickel Bronze 3/4 Grate</p> | <p>-TP</p>  <p>1/2" Trap Primer Connection</p> | |

FLOOR SINKS

FS2000

12" x 12" x 6" DEEP A.R.E. FLOOR SINK



Engineering Specification:

SUN® FS2000 12" x 12" x 6" deep cast iron body, light duty loose set grate with slotted openings, white acid resistant enamel coated interior and top with aluminum dome strainer.

| OUTLETS (Specify pipe size in inches and type of outlet) | | |
|--|--------------------------------------|-------------------|
| Outlet Type | Outlet Desig. Pipe Size/ Outlet Type | (B) Body Ht. Dim. |
| No Hub | 2NH, 3NH, 4NH | 8 11/16" |
| Push On | 2PO, 3PO, 4PO | 8" |

| SUFFIXES | ADD |
|---|-----------|
| -AB Aluminum Bucket | \$251.00 |
| -K Anchor Flange | \$304.00 |
| -KC Anchor Flange with Clamp Collar | \$458.00 |
| -NB Nickel Bronze Grate | SEE CHART |
| -TP 1/2" Trap Primer Connection (S7001) | \$153.00 |
| -2 1/2 Grate | N/C |
| -3 3/4 Grate | N/C |

| SUFFIXES | DEDUCT | |
|----------------|----------|----------|
| | A.R.E. | NB |
| -LG Less Grate | \$180.00 | \$386.00 |

⚠ WARNING: Cancer and Reproductive Harm - www.P65Warnings.ca.gov.
 ⚠ ADVERTENCIA: Cáncer y daño a la reproducción - www.P65Warnings.ca.gov.
 ⚠ AVERTISSEMENT: Cancer et effets su la Reproductive - www.P65Warnings.ca.gov.

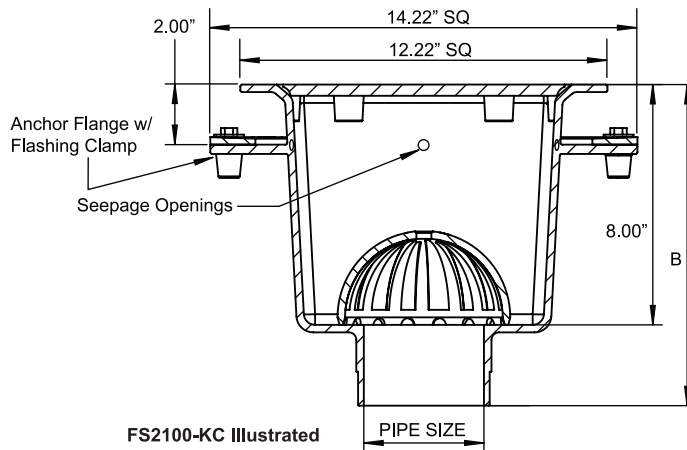
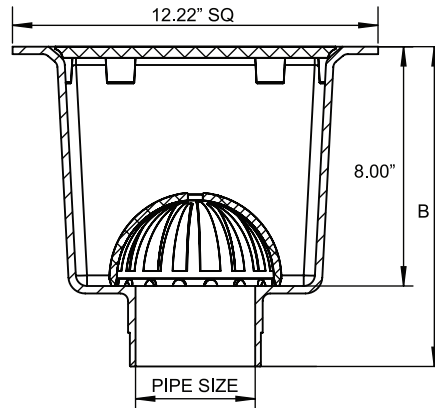
| LIST PRICE | | | | |
|------------------|------------------|-------------------------|---------------|---------------------|
| Pipe Size Inches | Approx. Wt. Lbs. | Grate Open Area Sq. In. | Enamel A.R.E. | Nickel Bronze (-NB) |
| 2 - 3 - 4 | 33 | 23.23 | \$1,667.00 | \$2,258.00 |

Note: Add 1/2" to Height for NB Frame & Grate

FLOOR SINKS

FS2100

12" x 12" x 8" DEEP A.R.E. FLOOR SINK



Engineering Specification:

SUN® FS2100 12" x 12" x 8" deep cast iron body, light duty loose set grate with slotted openings, white acid resistant enamel coated interior and top with aluminum dome strainer.

| OUTLETS (Specify pipe size in inches and type of outlet) | | |
|--|--------------------------------------|-------------------|
| Outlet Type | Outlet Desig. Pipe Size/ Outlet Type | (B) Body Ht. Dim. |
| No Hub | 2NH, 3NH, 4NH | 10 11/16" |
| Push On | 2PO, 3PO, 4PO | 10" |

| SUFFIXES | ADD |
|---|-----------|
| -AB Aluminum Bucket | \$251.00 |
| -K Anchor Flange | \$304.00 |
| -KC Anchor Flange with Clamp Collar | \$458.00 |
| -NB Nickel Bronze Grate | SEE CHART |
| -TP 1/2" Trap Primer Connection (S7001) | \$153.00 |
| -2 1/2 Grate | N/C |
| -3 3/4 Grate | N/C |

| SUFFIXES | DEDUCT | |
|----------------|----------|----------|
| | A.R.E. | NB |
| -LG Less Grate | \$180.00 | \$386.00 |

⚠ WARNING: Cancer and Reproductive Harm - www.P65Warnings.ca.gov.
 ⚠ ADVERTENCIA: Cáncer y daño a la reproducción - www.P65Warnings.ca.gov.
 ⚠ AVERTISSEMENT: Cancer et effets su la Reproductive - www.P65Warnings.ca.gov.

LIST PRICE

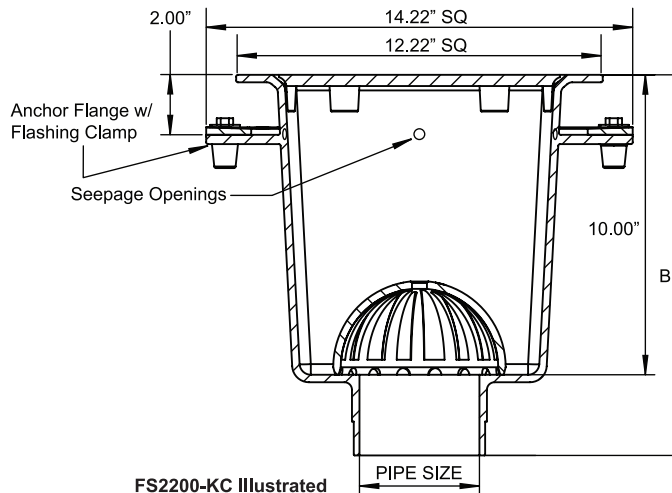
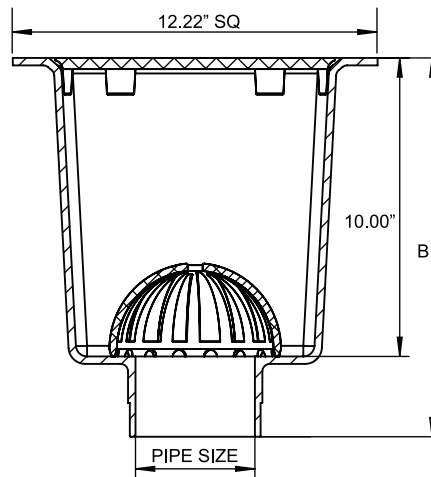
| Pipe Size Inches | Approx. Wt. Lbs. | Grate Open Area Sq. In. | Enamel A.R.E. | Nickel Bronze (-NB) |
|------------------|------------------|-------------------------|---------------|---------------------|
| 2 - 3 - 4 | 38 | 23.23 | \$1,755.00 | \$2,344.00 |

Note: Add 1/2" to Height for NB Frame & Grate

FLOOR SINKS

FS2200

12" x 12" x 10" DEEP A.R.E. FLOOR SINK



FS2200-KC Illustrated

Engineering Specification:

SUN® FS2200 12" x 12" x 10" deep cast iron body, light duty loose set grate with slotted openings, white acid resistant enamel coated interior and top with aluminum dome strainer.

| OUTLETS (Specify pipe size in inches and type of outlet) | | |
|--|--------------------------------------|-------------------|
| Outlet Type | Outlet Desig. Pipe Size/ Outlet Type | (B) Body Ht. Dim. |
| No Hub | 2NH, 3NH, 4NH | 12 11/16" |
| Push On | 2PO, 3PO, 4PO | 12" |

| SUFFIXES | ADD |
|---|-----------|
| -AB Aluminum Bucket | \$251.00 |
| -K Anchor Flange | \$304.00 |
| -KC Anchor Flange with Clamp Collar | \$458.00 |
| -NB Nickel Bronze Grate | SEE CHART |
| -TP 1/2" Trap Primer Connection (S7001) | \$153.00 |
| -2 1/2 Grate | N/C |
| -3 3/4 Grate | N/C |

| SUFFIXES | DEDUCT | |
|----------------|----------|----------|
| | A.R.E. | NB |
| -LG Less Grate | \$180.00 | \$386.00 |

- ⚠ WARNING: Cancer and Reproductive Harm - www.P65Warnings.ca.gov.
- ⚠ ADVERTENCIA: Cáncer y daño a la reproducción - www.P65Warnings.ca.gov.
- ⚠ AVERTISSEMENT: Cancer et effets su la Reproductive - www.P65Warnings.ca.gov.

LIST PRICE

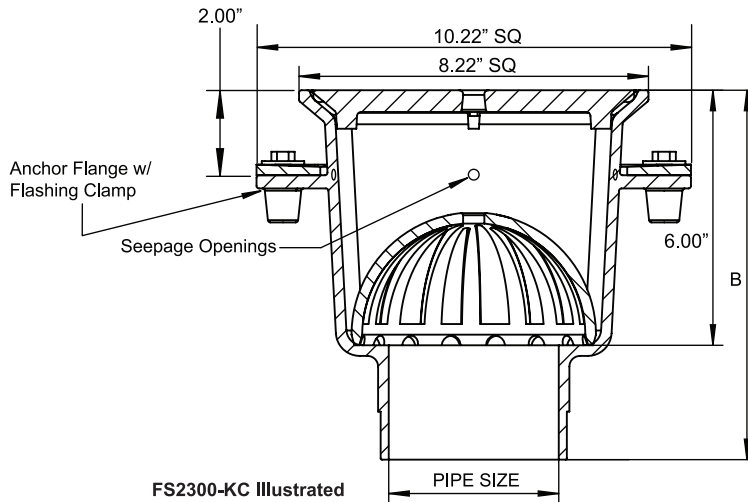
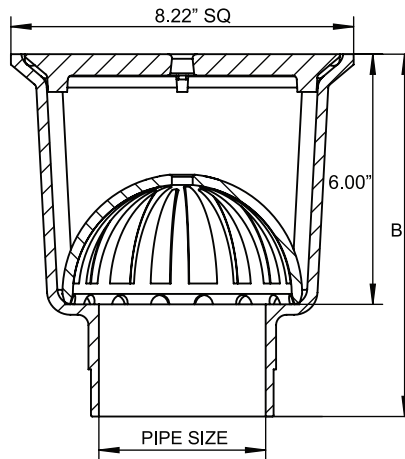
| Pipe Size Inches | Approx. Wt. Lbs. | Grate Open Area Sq. In. | Enamel A.R.E. | Nickel Bronze (-NB) |
|------------------|------------------|-------------------------|---------------|---------------------|
| 2 - 3 - 4 | 42 | 23.23 | \$1,854.00 | \$2,442.00 |

Note: Add 1/2" to Height for NB Frame & Grate

FLOOR SINKS

FS2300

8" x 8" x 6" DEEP A.R.E. FLOOR SINK



FS2300-KC Illustrated

Engineering Specification:

SUN® FS2300 8" x 8" x 6" deep cast iron body, light duty loose set grate with slotted openings, white acid resistant enamel coated interior and top with aluminum dome strainer.

| OUTLETS (Specify pipe size in inches and type of outlet) | | |
|--|--------------------------------------|-------------------|
| Outlet Type | Outlet Desig. Pipe Size/ Outlet Type | (B) Body Ht. Dim. |
| No Hub | 2NH, 3NH, 4NH | 8 11/16" |
| Push On | 2PO, 3PO, 4PO | 8" |

| SUFFIXES | ADD |
|---|-----------|
| -AB Aluminum Bucket | \$181.00 |
| -K Anchor Flange | \$145.00 |
| -KC Anchor Flange with Clamp Collar | \$267.00 |
| -NB Nickel Bronze Grate | SEE CHART |
| -TP 1/2" Trap Primer Connection (S7001) | \$153.00 |
| -2 1/2 Grate | N/C |
| -3 3/4 Grate | N/C |

| SUFFIXES | DEDUCT | |
|----------------|----------|----------|
| | A.R.E. | NB |
| -LG Less Grate | \$153.00 | \$239.00 |

- ⚠ WARNING: Cancer and Reproductive Harm - www.P65Warnings.ca.gov.
- ⚠ ADVERTENCIA: Cáncer y daño a la reproducción - www.P65Warnings.ca.gov.
- ⚠ AVERTISSEMENT: Cancer et effets su la Reproductive - www.P65Warnings.ca.gov.

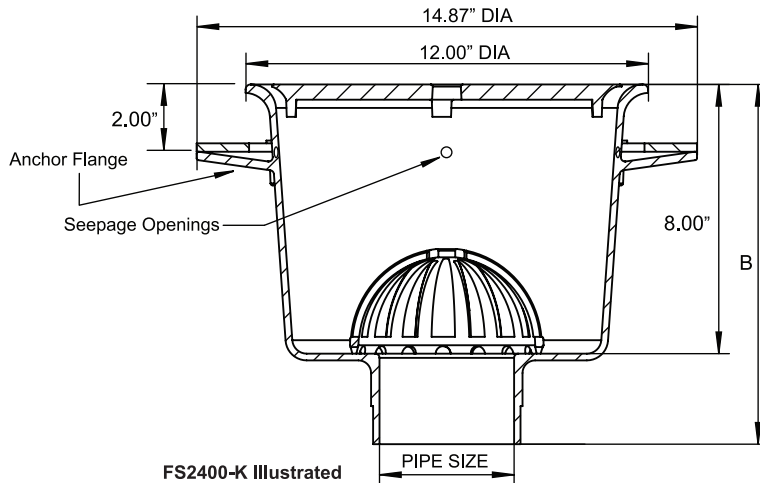
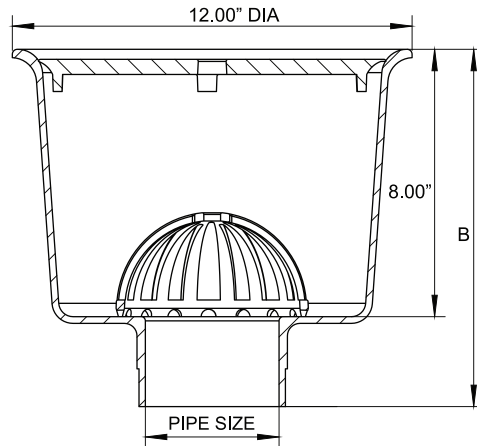
| LIST PRICE | | | | |
|------------------|------------------|-------------------------|---------------|---------------------|
| Pipe Size Inches | Approx. Wt. Lbs. | Grate Open Area Sq. In. | Enamel A.R.E. | Nickel Bronze (-NB) |
| 2 - 3 - 4 | 20 | 18.85 | \$1,245.00 | \$1,580.00 |

Note: Add 7/16" to Height for NB Frame & Grate

FLOOR SINKS

FS2400

12" DIAMETER x 8" DEEP A.R.E. FLOOR SINK



Engineering Specification:

SUN® FS2400 12" diameter x 8" deep cast iron body, light duty loose set grate with slotted openings, white acid resistant enamel coated interior and top with aluminum dome strainer.

| OUTLETS (Specify pipe size in inches and type of outlet) | | |
|--|--------------------------------------|---------------|
| Outlet Type | Outlet Desig. Pipe Size/ Outlet Type | Body Ht. Dim. |
| No Hub..... | 2NH, 3NH, 4NH..... | 10 11/16" |
| Push On..... | 2PO, 3PO, 4PO..... | 10" |

| SUFFIXES | ADD |
|---|-----------|
| -AB Aluminum Bucket | \$251.00 |
| -K Anchor Flange | \$300.00 |
| -KC Anchor Flange with Clamp Collar | \$443.00 |
| -NB Nickel Bronze Grate | SEE CHART |
| -TP 1/2" Trap Primer Connection (S7001) | \$153.00 |
| -2 1/2 Grate | N/C |
| -3 3/4 Grate | N/C |

| SUFFIXES | DEDUCT | |
|----------------|----------|----------|
| | A.R.E. | NB |
| -LG Less Grate | \$210.00 | \$402.00 |

- ▲ WARNING: Cancer and Reproductive Harm - www.P65Warnings.ca.gov.
- ▲ ADVERTENCIA: Cáncer y daño a la reproducción - www.P65Warnings.ca.gov.
- ▲ AVERTISSEMENT: Cancer et effets su la Reproductive - www.P65Warnings.ca.gov.

LIST PRICE

| Pipe Size Inches | Approx. Wt. Lbs. | Grate Open Area Sq. In. | Enamel A.R.E. | Nickel Bronze (-NB) |
|------------------|------------------|-------------------------|---------------|---------------------|
| 2 - 3 - 4 | 26 | 23.40 | \$1,322.00 | \$2,108.00 |

Note: Add 5/8" to Height for NB Frame & Grate

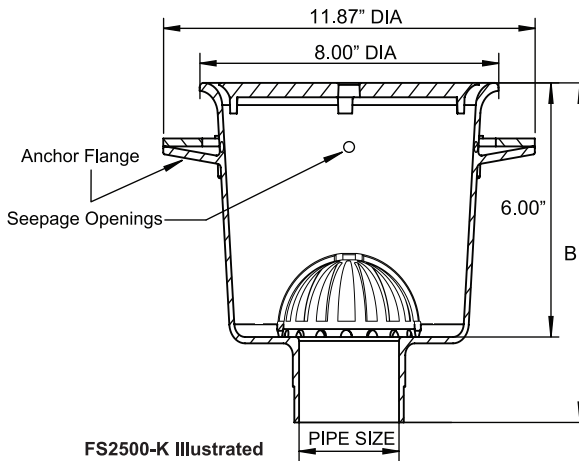
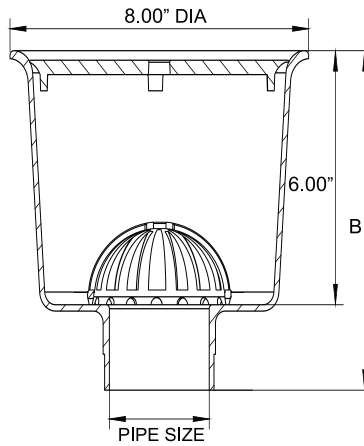
FLOOR SINKS

FS2500

8" DIAMETER x 6" DEEP A.R.E. FLOOR SINK



FS2500-3 Pictured



FS2500-K Illustrated

Engineering Specification:

SUN® FS2500 8" diameter x 6" deep cast iron body, light duty loose set grate with slotted openings, white acid resistant enamel coated interior and top with aluminum dome strainer.

| OUTLETS (Specify pipe size in inches and type of outlet) | | |
|--|--------------------------------------|---------------|
| Outlet Type | Outlet Desig. Pipe Size/ Outlet Type | Body Ht. Dim. |
| No Hub..... | 2NH, 3NH, 4NH..... | 8 11/16" |
| Push On..... | 2PO, 3PO, 4PO..... | 8" |

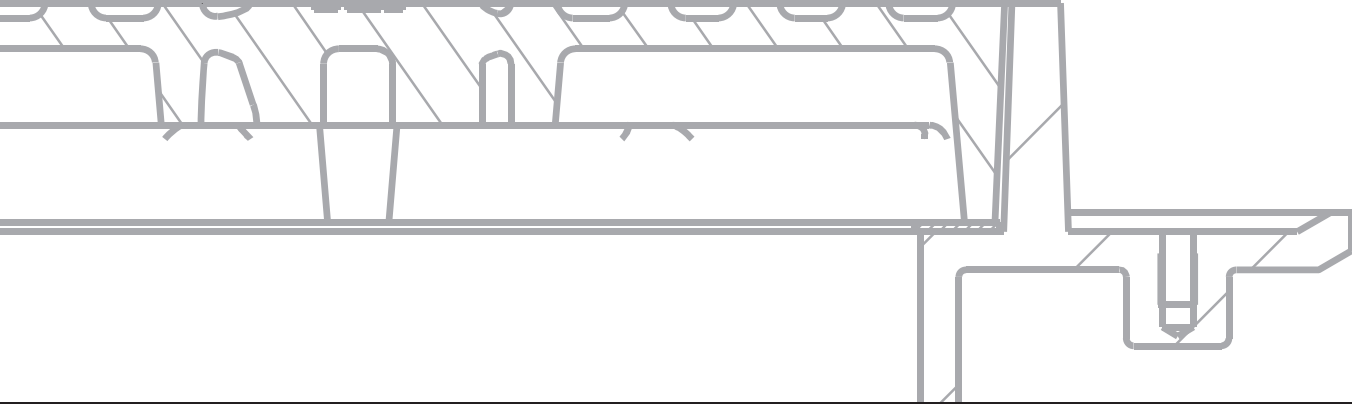
| SUFFIXES | ADD |
|---|-----------|
| -AB Aluminum Bucket | \$180.00 |
| -K Anchor Flange | \$226.00 |
| -KC Anchor Flange with Clamp Collar | \$373.00 |
| -NB Nickel Bronze Grate | SEE CHART |
| -TP 1/2" Trap Primer Connection (S7001) | \$153.00 |
| -2 1/2 Grate | N/C |
| -3 3/4 Grate | N/C |

| SUFFIXES | DEDUCT | |
|----------------|----------|----------|
| | A.R.E. | NB |
| -LG Less Grate | \$153.00 | \$166.00 |

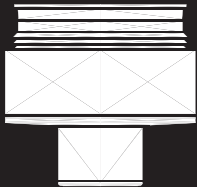
- ⚠ WARNING: Cancer and Reproductive Harm - www.P65Warnings.ca.gov.
- ⚠ ADVERTENCIA: Cáncer y daño a la reproducción - www.P65Warnings.ca.gov.
- ⚠ AVERTISSEMENT: Cancer et effets su la Reproductive - www.P65Warnings.ca.gov.

| LIST PRICE | | | | |
|------------------|------------------|-------------------------|---------------|---------------------|
| Pipe Size Inches | Approx. Wt. Lbs. | Grate Open Area Sq. In. | Enamel A.R.E. | Nickel Bronze (-NB) |
| 2 - 3 - 4 | 13 | 13.88 | \$1,041.00 | \$1,398.00 |

Note: Add 3/8" to Height for NB Frame & Grate



CLEANOUTS



SUN® Drainage Cleanouts comply with A112-36.2M-91

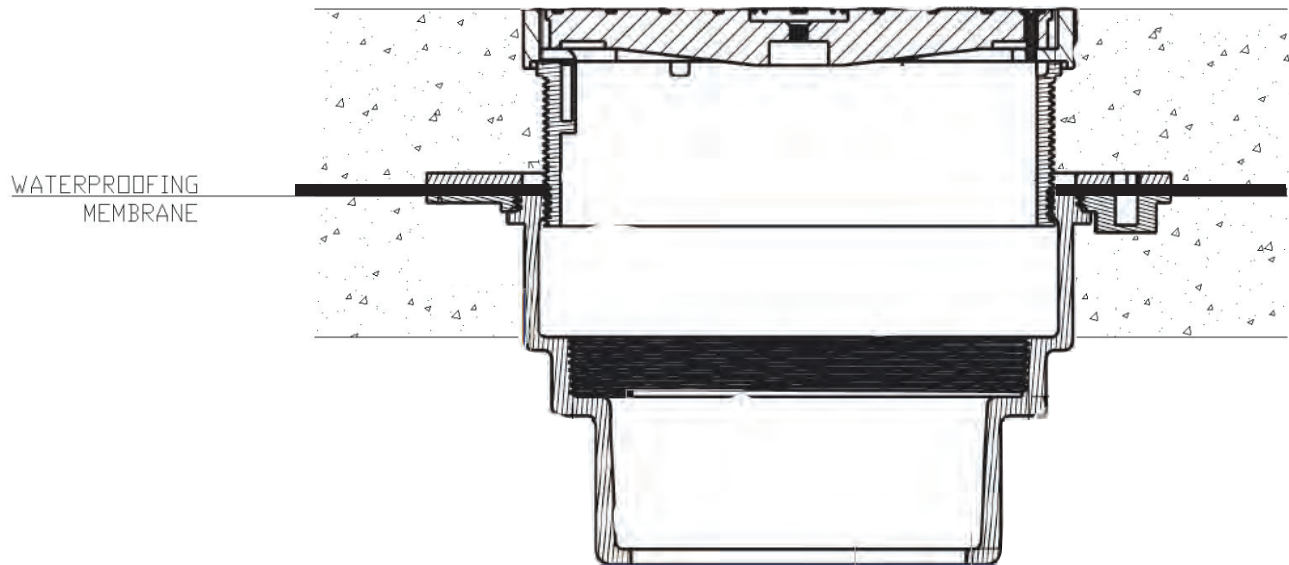
CLEANOUTS

APPLICATION

RECOMMENDED CLEANOUT

| | |
|------------------------------------|---|
| Finished Floor Area | CO3400-V, CO3400-VS |
| Heavy Traffic and Industrial Area | CO3400 |
| Medium Traffic Finished Floor Area | CO3400-V |
| Exposed Drainage Lines | CO3200, CO3230 |
| Finished Wall Areas | CO3250, CO3250-CO CO3250-COT, CO3250-PLG |
| Access Covers | CO3280 |

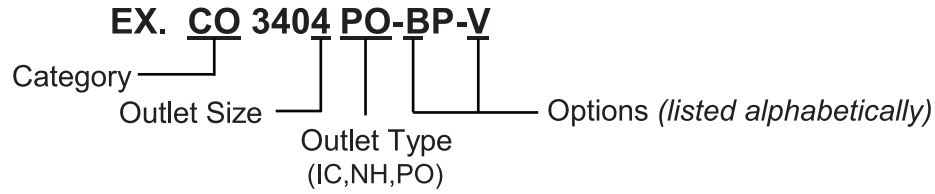
INSTALLATION



The Sun CO3400 Clean Out can be installed in water proof membrane and nonmembrane floor construction. The drainage pipe is run to an elevation where the finish clean out top will be slightly below the finish floor elevation. It is recommended that the cover be initially installed at the mid-point into the body to allow any required adjustments. Dimensional data for all drain heights and outlet types are shown on Sun Submittal Drawings and the Sun Drainage website, www.SunDrainage.com. The drain body is secured to the pipe with any of four connections; Inside Caulk, No-Hub or Push On. The type of connection should be specified upon ordering any Sun drain. Once the drain is set and leveled in place, the initial concrete sub-floor is poured to an elevation level with the top flange of the drain body. The waterproofing membrane is then installed to the point where the clamping flange can create a water tight seal. The clamping flange is secured to the body by bolts. Omit this step if the installation has no membrane. The cover is then screwed into the body and the finished floor is poured to finished grade. The finished surface of the cover should be protected through all phases of construction by the use of cardboard, tape or other protective materials applied by the plumber.

HOW TO BUILD PART NUMBERS

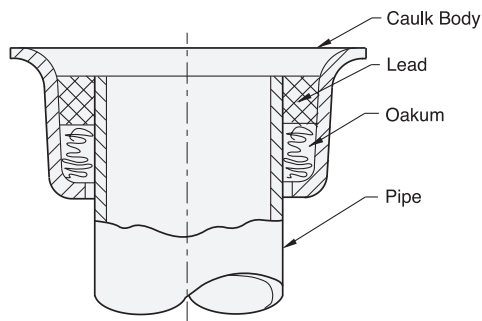
CLEANOUTS



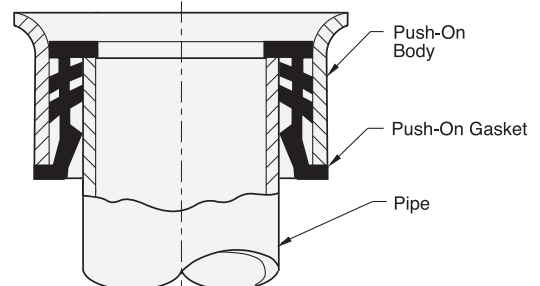
OUTLET TYPE

| | |
|-----------|----------------------------|
| IC | Inside Caulk Outlet |
| NH | No-Hub Outlet |
| PO | Push-On Outlet |

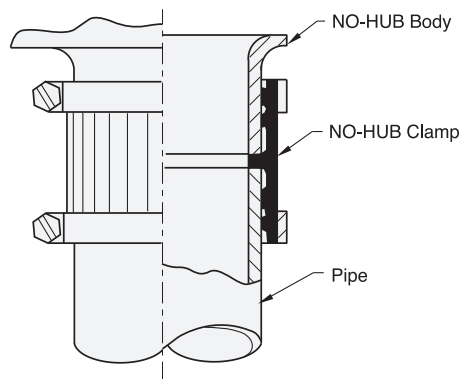
PIPE CONNECTIONS



INSIDE CAULK OUTLET - IC



PUSH-ON OUTLET - PO



NO HUB CONNECTION - NH

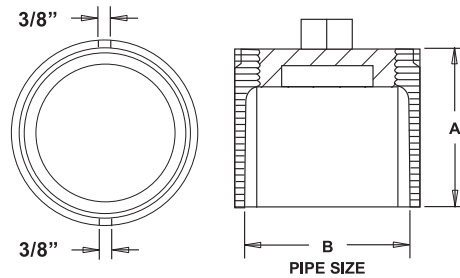
CLEANOUTS

CO3200

CLEANOUT FERRULE WITH PLUG



Picture shown with Raised Head Plug



Engineering Specification:

SUN® CO3200 Cleanout Ferrule, coated cast iron body with gas and watertight raised threaded brass head plug.

| OUTLETS (Specify pipe size in inches and type of outlet) | | | |
|--|--------------------------------------|---------------|-----|
| Outlet Type | Outlet Desig. Pipe Size/ Outlet Type | Body Ht. Dim. | ADD |
| No Hub..... | 2NH, 3NH, 4NH, 6NH... | See Chart | N/C |

| SUFFIXES | | | ADD |
|----------|----------------------|--|----------|
| -G | Galvanized Cast Iron | | \$124.00 |

⚠ WARNING: Cancer and Reproductive Harm - www.P65Warnings.ca.gov.

⚠ ADVERTENCIA: Cáncer y daño a la reproducción - www.P65Warnings.ca.gov.

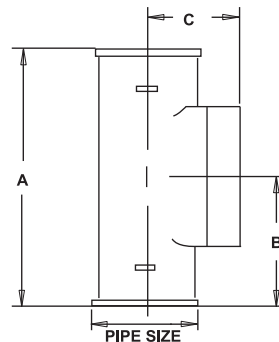
⚠ AVERTISSEMENT: Cancer et effets su la Reproductive - www.P65Warnings.ca.gov.

LIST PRICE

| Dim. In Inches | | NPT Plug Size | Approx. Wt. Lbs. | Cast Iron |
|----------------|------|---------------|------------------|-----------|
| Pipe Size (B) | A | | | |
| 2 | 2.20 | 1 1/2 | 1 | \$77.00 |
| 3 | 2.20 | 2 1/2 | 1 | \$118.00 |
| 4 | 2.20 | 3 1/2 | 2 | \$162.00 |
| 6 | 4.50 | 5 | 5 | \$331.00 |

CO3230

CLEANOUT TEE WITH PLUG



Engineering Specification:

SUN® CO3230 Cleanout Tee, coated cast iron body with gas and watertight brass countersunk threaded plug.

| OUTLETS (Specify pipe size in inches and type of outlet) | | | |
|--|--------------------------------------|---------------|-----|
| Outlet Type | Outlet Desig. Pipe Size/ Outlet Type | Body Ht. Dim. | ADD |
| No Hub..... | 2NH, 3NH, 4NH, 5NH, 6NH, 8NH..... | See Chart | N/C |

| SUFFIXES | | | ADD |
|----------|----------------------|--|----------|
| -G | Galvanized Cast Iron | | \$142.00 |

⚠ WARNING: Cancer and Reproductive Harm - www.P65Warnings.ca.gov.

⚠ ADVERTENCIA: Cáncer y daño a la reproducción - www.P65Warnings.ca.gov.

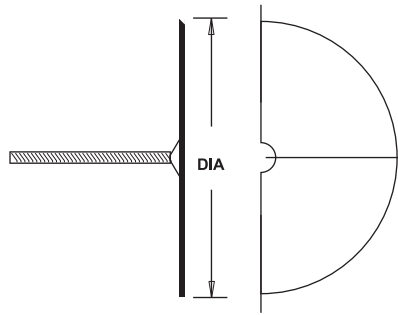
⚠ AVERTISSEMENT: Cancer et effets su la Reproductive - www.P65Warnings.ca.gov.

LIST PRICE

| Pipe Size | Diminsion In Inches | | | NPT Plug Size | Approx. Wt. Lbs. | Cast Iron |
|-----------|---------------------|--------|---------|---------------|------------------|------------|
| | A | B | C | | | |
| 2 | 6 3/8 | 3 3/16 | 2 | 2 | 4 | \$204.00 |
| 3 | 7 3/4 | 3 7/8 | 2 11/16 | 3 | 5 | \$254.00 |
| 4 | 8 7/8 | 4 7/16 | 3 | 4 | 9 | \$400.00 |
| 5 | 11 1/2 | 5 3/4 | 4 1/2 | 5 | 16 | \$741.00 |
| 6 | 12 1/2 | 6 1/4 | 5 | 6 | 20 | \$1,130.00 |
| 8 | 15 1/4 | 7 5/8 | 6 | 8 | 36 | \$1,399.00 |

CLEANOUTS

CO3250 ROUND ACCESS COVER



Engineering Specification:

SUN® CO3250 round stainless steel access cover with center screw.

⚠ WARNING: Cancer and Reproductive Harm - www.P65Warnings.ca.gov.

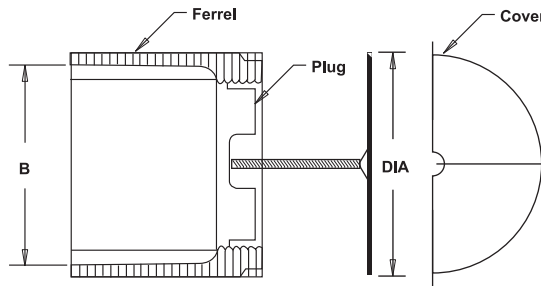
⚠ ADVERTENCIA: Cáncer y daño a la reproducción - www.P65Warnings.ca.gov.

⚠ AVERTISSEMENT: Cancer et effets su la Reproductive - www.P65Warnings.ca.gov.

LIST PRICE

| Dim. In Inches | | | Approx. Wt. Lbs. | With Stainless Steel Cover |
|---------------------|-----|----------------|------------------|----------------------------|
| Product Designation | DIA | Nom. Pipe Size | | |
| -6 | 6 | 2 -3 - 4 | 1 | \$134.00 |
| -8 | 8 | 5 - 6 | 1 | \$241.00 |
| -10 | 10 | 8 | 1 | \$375.00 |

CO3250-CO WALL CLEANOUT WITH ROUND ACCESS COVER



Engineering Specification:

SUN® CO3250-CO Wall Cleanout with coated cast iron body, gas and watertight brass threaded plug, and round stainless steel wall access cover with center screw.

OUTLETS (Specify pipe size in inches and type of outlet)

| Outlet Type | Outlet Desig. Pipe Size/ Outlet Type | Body Ht. Dim. | ADD |
|-------------|--------------------------------------|---------------|-----|
| No Hub..... | 2NH, 3NH, 4NH, 6NH... | See Chart | N/C |

SUFFIXES

| | |
|-------------------------|---------------------|
| -G Galvanized Cast Iron | ADD \$124.00 |
|-------------------------|---------------------|

⚠ WARNING: Cancer and Reproductive Harm - www.P65Warnings.ca.gov.

⚠ ADVERTENCIA: Cáncer y daño a la reproducción - www.P65Warnings.ca.gov.

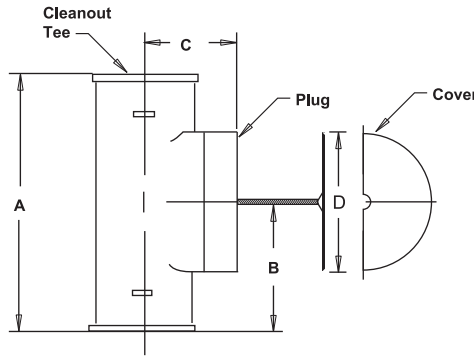
⚠ AVERTISSEMENT: Cancer et effets su la Reproductive - www.P65Warnings.ca.gov.

LIST PRICE

| Dim. In Inches | | | NPT Plug Size | Approx. Wt. Lbs. | With Stainless Steel Cover |
|----------------|-------------|-----|---------------|------------------|----------------------------|
| Model No. | Pipe Size B | DIA | | | |
| CO3250-6-CO2 | 2 | 6 | 1 1/2 | 1 | \$211.00 |
| CO3250-6-CO3 | 3 | 6 | 2 1/2 | 1 | \$252.00 |
| CO3250-6-CO4 | 4 | 6 | 3 1/2 | 2 | \$296.00 |
| CO3250-8-CO6 | 6 | 8 | 5 | 5 | \$572.00 |

CLEANOUTS

CO3250-COT CLEANOUT TEE WITH ROUND ACCESS COVER



Engineering Specification:

SUN® CO3250-COT Cleanout Tee, coated cast iron body with gas and watertight threaded brass plug and round stainless steel wall access cover with center screw.

| OUTLETS (Specify pipe size in inches and type of outlet) | | | |
|--|--------------------------------------|---------------|-----|
| Outlet Type | Outlet Desig. Pipe Size/ Outlet Type | Body Ht. Dim. | ADD |
| No Hub..... | 2NH, 3NH, 4NH, 5NH 6NH, 8NH..... | See Chart | N/C |

SUFFIXES ADD

| | |
|-------------------------|-----------------|
| -G Galvanized Cast Iron | \$175.00 |
|-------------------------|-----------------|

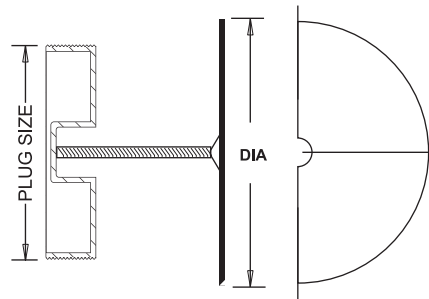
⚠ WARNING: Cancer and Reproductive Harm - www.P65Warnings.ca.gov.

⚠ ADVERTENCIA: Cáncer y daño a la reproducción - www.P65Warnings.ca.gov.

⚠ AVERTISSEMENT: Cancer et effets su la Reproductive - www.P65Warnings.ca.gov.

| LIST PRICE | | | | | | | | |
|----------------|-----------|---------------------|--------|---------|----|---------------|------------------|----------------------------|
| Model No. | Pipe Size | Dimension In Inches | | | | NPT Plug Size | Approx. Wt. Lbs. | With Stainless Steel Cover |
| | | A | B | C | D | | | |
| CO3250-6-COT2 | 2 | 6 3/8 | 3 3/16 | 2 | 6 | 2 | 4 | \$335.00 |
| CO3250-6-COT3 | 3 | 7 3/4 | 3 7/8 | 2 11/16 | 6 | 3 | 5 | \$388.00 |
| CO3250-6-COT4 | 4 | 8 7/8 | 4 7/16 | 3 | 6 | 4 | 9 | \$534.00 |
| CO3250-8-COT5 | 5 | 11 1/2 | 5 3/4 | 4 1/2 | 8 | 5 | 16 | \$982.00 |
| CO3250-8-COT6 | 6 | 12 1/2 | 6 1/4 | 5 | 8 | 6 | 20 | \$1,371.00 |
| CO3250-10-COT8 | 8 | 15 1/4 | 7 5/8 | 6 | 10 | 8 | 36 | \$1,774.00 |

CO3250-PLG ROUND ACCESS COVER AND PLUG



Engineering Specification:

SUN® CO3250-PLG round stainless steel wall access cover with center screw and threaded brass plug.

⚠ WARNING: Cancer and Reproductive Harm - www.P65Warnings.ca.gov.

⚠ ADVERTENCIA: Cáncer y daño a la reproducción - www.P65Warnings.ca.gov.

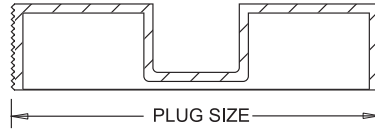
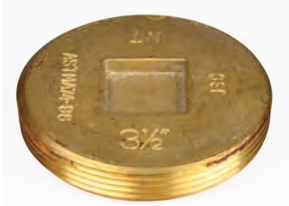
⚠ AVERTISSEMENT: Cancer et effets su la Reproductive - www.P65Warnings.ca.gov.

| LIST PRICE | | | | |
|---------------------|----------------|-----|------------------|----------------------------|
| Product Designation | Dim. In Inches | | Approx. Wt. Lbs. | With Stainless Steel Cover |
| | Plug Size | DIA | | |
| -PLG1.5 | 1 1/2 | 6 | 1 | \$171.00 |
| -PLG2 | 2 | 6 | 1.25 | \$182.00 |
| -PLG2.5 | 2 1/2 | 6 | 1.25 | \$195.00 |
| -PLG3 | 3 | 6 | 1.50 | \$218.00 |
| -PLG3.5 | 3 1/2 | 6 | 1.50 | \$273.00 |
| -PLG4 | 4 | 8 | 2 | \$397.00 |
| -PLG5 | 5 | 8 | 2 | \$474.00 |
| -PLG6 | 6 | 10 | 3 | \$602.00 |
| -PLG8 | 8 | 10 | 6 | \$887.00 |

CLEANOUTS

CO3270

BRASS CLEANOUT PLUG



Engineering Specification:

SUN® CO3270, brass cleanout plug.

| SUFFIXES | ADD |
|----------------------|-----|
| -CS Counter Sunk | N/C |
| -RH Raised Head | N/C |
| -SH Slot Head-Tapped | N/C |

⚠ WARNING: Cancer and Reproductive Harm - www.P65Warnings.ca.gov.

⚠ ADVERTENCIA: Cáncer y daño a la reproducción - www.P65Warnings.ca.gov.

⚠ AVERTISSEMENT: Cancer et effets su la Reproductive - www.P65Warnings.ca.gov.

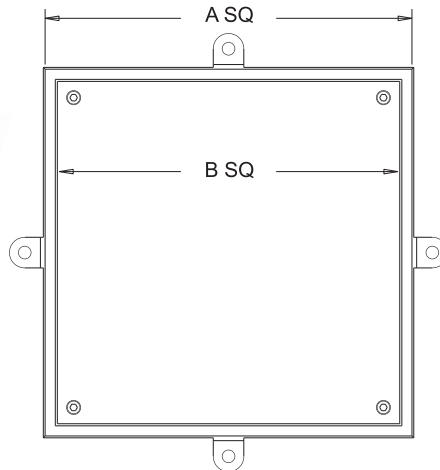
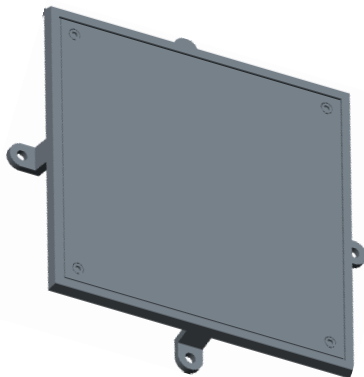
LIST PRICE

| Dim. In Inches | | Approx. Wt. Lbs. | Brass Plug |
|---------------------|-----------|------------------|------------|
| Product Designation | Plug Size | | |
| -1.25 | 1 1/4 | 0.50 | \$37.00 |
| -1.5 | 1 1/2 | 0.50 | \$37.00 |
| -2 | 2 | 0.75 | \$48.00 |
| -2.5 | 2 1/2 | 0.75 | \$61.00 |
| -3 | 3 | 1 | \$84.00 |
| -3.5 | 3 1/2 | 1 | \$139.00 |
| -4 | 4 | 1.50 | \$156.00 |
| -5 | 5 | 1.50 | \$233.00 |
| -6 | 6 | 2 | \$526.00 |
| *-7 | 7 | 3 | \$843.00 |
| -8 | 8 | 5 | \$1,080.00 |

*Available counter sunk only

CO3280

SQUARE WALL ACCESS PANEL



Engineering Specification:

SUN® CO3280 stainless steel square wall access panel and frame high polished set flush to finished wall, with vandal resistant securing screws.

⚠ WARNING: Cancer and Reproductive Harm - www.P65Warnings.ca.gov.

⚠ ADVERTENCIA: Cáncer y daño a la reproducción - www.P65Warnings.ca.gov.

⚠ AVERTISSEMENT: Cancer et effets su la Reproductive - www.P65Warnings.ca.gov.

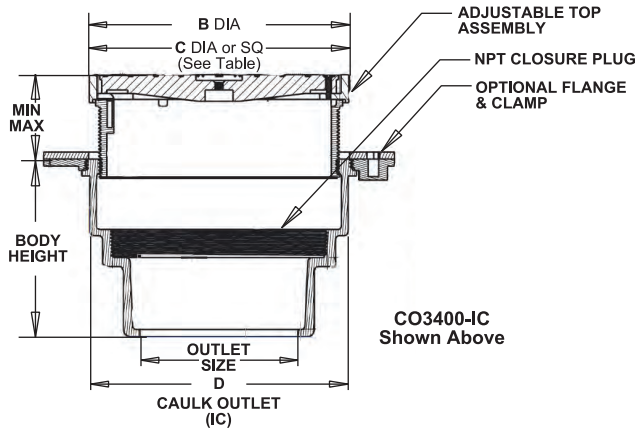
LIST PRICE

| Product Designation | Diminision In Inches | | Approx. Wt. Lbs. | Stainless Steel |
|---------------------|----------------------|-------|------------------|-----------------|
| | A | B | | |
| -7 | 7 x 7 | 6 x 6 | 3 | \$477.00 |
| -9 | 9 x 9 | 8 x 8 | 4 | \$699.00 |

CLEANOUTS

CO3400

MULTI-USE FLOOR CO WITH ADJUSTABLE ROUND OR SQUARE TOP



CO3400-IC
Shown Above

Engineering Specification:

SUN® CO3400 Series Adjustable Floor Cleanout with heavy duty Ductile Iron vandal proof cover and plastic NPT gas tight plug.

| OUTLETS (Specify pipe size in inches and type of outlet) | | |
|--|--------------------------------------|------------|
| Outlet Type | Outlet Desig. Pipe Size/ Outlet Type | LIST PRICE |
| Inside Caulk | 2IC, 3IC, 4IC, 6IC..... | N/C |
| No Hub | 2NH, 3NH, 4NH, 6NH, 8NH | N/C |
| Push On | 2PO, 3PO, 4PO, 6PO, 8PO | N/C |

| SUFFIXES | ADD |
|---|----------|
| -AR Acid Resistant Epoxy Coated | \$277.00 |
| -G Galvanized Cast Iron | \$175.00 |
| -F Anchor Flange | N/C |
| -FC Anchor Flange with Clamping Collar | \$84.00 |
| -CM Carpet Marker | \$62.00 |
| -CC Carpet Clamp | \$224.00 |
| -BP Brass Closure Plug | Chart |
| -CS2 5" SQ Insulated Stainless Steel Veneer Top | \$662.00 |

⚠ WARNING: Cancer and Reproductive Harm - www.P65Warnings.ca.gov.

⚠ ADVERTENCIA: Cáncer y daño a la reproducción - www.P65Warnings.ca.gov.

⚠ AVERTISSEMENT: Cancer et effets sur la Reproductive - www.P65Warnings.ca.gov.

| Pipe Size | Body Height | | | Plug Size | Top Adjustment | | | | | |
|-----------|-------------|-------|------|-----------|----------------|------|-----------|----------|------|------|
| | A | B Dia | C | | PO | NH | Caulk | Top Type | Min | Max |
| 2 | | | | | | | | | | |
| PO - NH | 6.80 | 9.50 | 5.68 | 6.20 | 5.75 | 4.85 | 2-8 NPT | -V, -SSV | 1.18 | 2.88 |
| | 6.80 | 9.50 | 5.00 | 6.20 | 5.75 | 4.85 | 2-8 NPT | DI | 1.06 | 2.75 |
| | 6.80 | 9.50 | 5.20 | 6.20 | 5.75 | 4.85 | 2-8 NPT | -VS * | 0.75 | 2.75 |
| | 6.80 | 9.50 | 5.00 | 6.20 | 5.75 | 4.85 | 2-8 NPT | -S * | 0.62 | 2.62 |
| IC | 6.80 | 9.50 | 5.68 | 6.20 | | 5.47 | 3.5-8 NPT | -V, -SSV | 1.18 | 2.88 |
| IC | 6.80 | 9.50 | 5.00 | 6.20 | | 5.47 | 3.5-8 NPT | DI | 1.06 | 2.75 |
| 3 | | | | | | | | | | |
| PO - NH | 6.80 | 9.50 | 5.20 | 6.20 | 5.75 | 4.85 | 3.5-8 NPT | -V, -SSV | 1.18 | 2.88 |
| | 6.80 | 9.50 | 5.20 | 6.20 | 5.75 | 4.85 | 3.5-8 NPT | DI | 1.06 | 2.75 |
| | 6.80 | 9.50 | 5.20 | 6.20 | 5.75 | 4.85 | 3.5-8 NPT | -VS * | 0.75 | 2.75 |
| | 6.80 | 9.50 | 5.00 | 6.20 | 5.75 | 4.85 | 3.5-8 NPT | -S * | 0.62 | 2.62 |
| IC | 6.80 | 9.50 | 6.56 | 6.20 | | 5.50 | 4-8 NPT | -V, -SSV | 1.25 | 3.50 |
| IC | 6.80 | 9.50 | 6.12 | 6.20 | | 5.50 | 4-8 NPT | DI | 1.00 | 3.25 |
| 4 | | | | | | | | | | |
| PO - NH | 6.80 | 9.50 | 6.56 | 6.20 | 5.75 | 4.85 | 3.5-8 NPT | -V, -SSV | 1.18 | 2.88 |
| | 6.80 | 9.50 | 6.12 | 6.20 | 5.75 | 4.85 | 3.5-8 NPT | DI | 1.06 | 2.75 |
| | 6.80 | 9.50 | 5.20 | 6.20 | 5.75 | 4.85 | 3.5-8 NPT | -VS * | 0.75 | 2.75 |
| | 6.80 | 9.50 | 5.00 | 6.20 | 5.75 | 4.85 | 3.5-8 NPT | -S * | 0.62 | 2.62 |
| IC | 8.80 | 11.50 | 8.69 | 8.30 | | 6.31 | *6-8 NPT | -V, -SSV | 1.50 | 4.00 |
| IC | 8.38 | 11.50 | 8.25 | 8.30 | | 6.31 | | DI | 1.25 | 3.75 |
| 6 | | | | | | | | | | |
| PO - NH | 8.80 | 11.50 | 8.69 | 8.30 | 6.44 | 6.29 | *6-8 NPT | -V, -SSV | 1.50 | 4.00 |
| | 8.80 | | 8.25 | 8.30 | 6.44 | 6.29 | | DI | 1.25 | 3.75 |
| IC | 9.75 | 12.50 | 9.69 | 9.50 | | 6.31 | 7-8 NPT | -V, -SSV | 1.45 | 3.58 |
| IC | 9.75 | | 9.25 | 9.50 | | 6.31 | | HD | 1.25 | 3.38 |
| 8 | | | | | | | | | | |
| PO - NH | 9.75 | 12.50 | 9.69 | 9.50 | 6.31 | 6.31 | 7-8NPT | -V, -SSV | 1.45 | 3.58 |
| IC | 9.75 | | 9.25 | 9.50 | 6.31 | 6.31 | | DI | 1.25 | 3.38 |

* -S & -VS tops only available for use with 2"-4" PO, NH & 2" Caulk (IC)

* Brass NPT Plug Provided

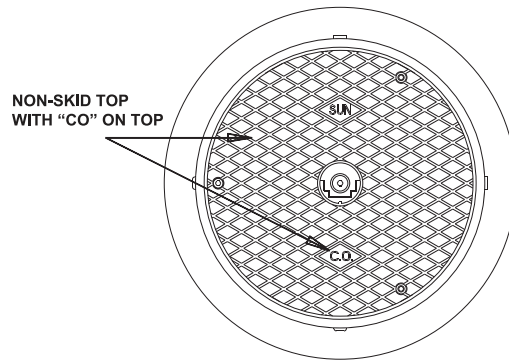
| | Round Ductile Iron (Standard) | (-V) Nickel Bronze Adder | (-SSV) Stainless Steel Veneer Adder | (-S) Square Top | (-VS) Square Ductile Iron w/ NB Veneer Adder | (-BP) Brass Closure Plug |
|----|-------------------------------|--------------------------|-------------------------------------|-----------------|--|--------------------------|
| 2" | \$402.00 | \$92.00 | \$575.00 | n/c | \$92.00 | \$153.00 |
| 3" | \$460.00 | \$92.00 | \$575.00 | n/c | \$92.00 | \$153.00 |
| 4" | \$548.00 | \$149.00 | \$575.00 | n/c | \$149.00 | \$153.00 |
| 6" | \$956.00 | \$177.00 | \$575.00 | n/a | n/a | \$486.00 |
| 8" | \$1,133.00 | \$177.00 | \$575.00 | n/a | n/a | \$486.00 |

*Square top available for 2-4" NH & PO, 2IC only

CLEANOUTS

CO3500

CLEANOUT HOUSING 9 1/4" HEAVY DUTY ROUND TOP



Engineering Specification:

SUN® CO3500 Series Heavy Duty Cleanout Housing coated cast iron double flanged body, vandal and skid resistant heavy duty ductile iron solid cover with lift ring.

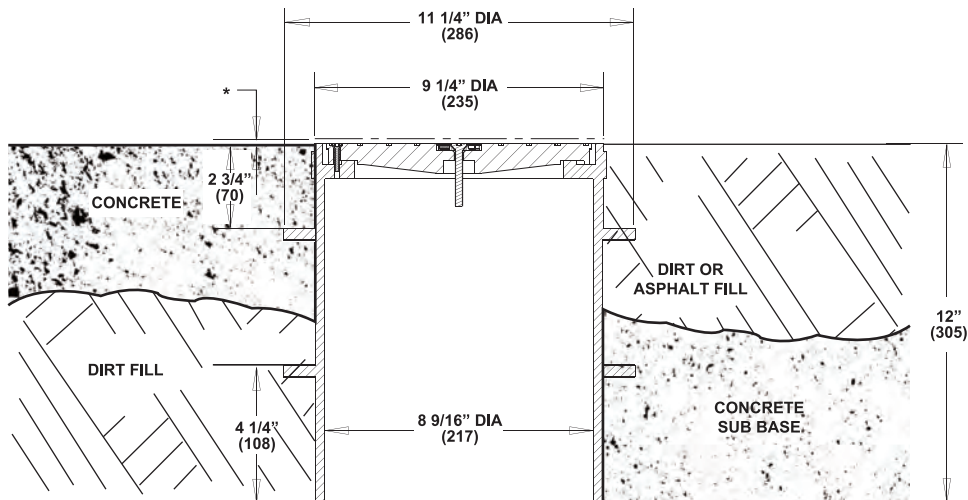
| MODEL NUMBER | PRICE LIST |
|--------------|------------|
| CO3500 | \$1,099.00 |

| SUFFIXES | ADD |
|-----------------------------|----------|
| -G Galvanized Cast Iron | \$435.00 |
| -V Nickel Bronze Veneer Top | \$483.00 |

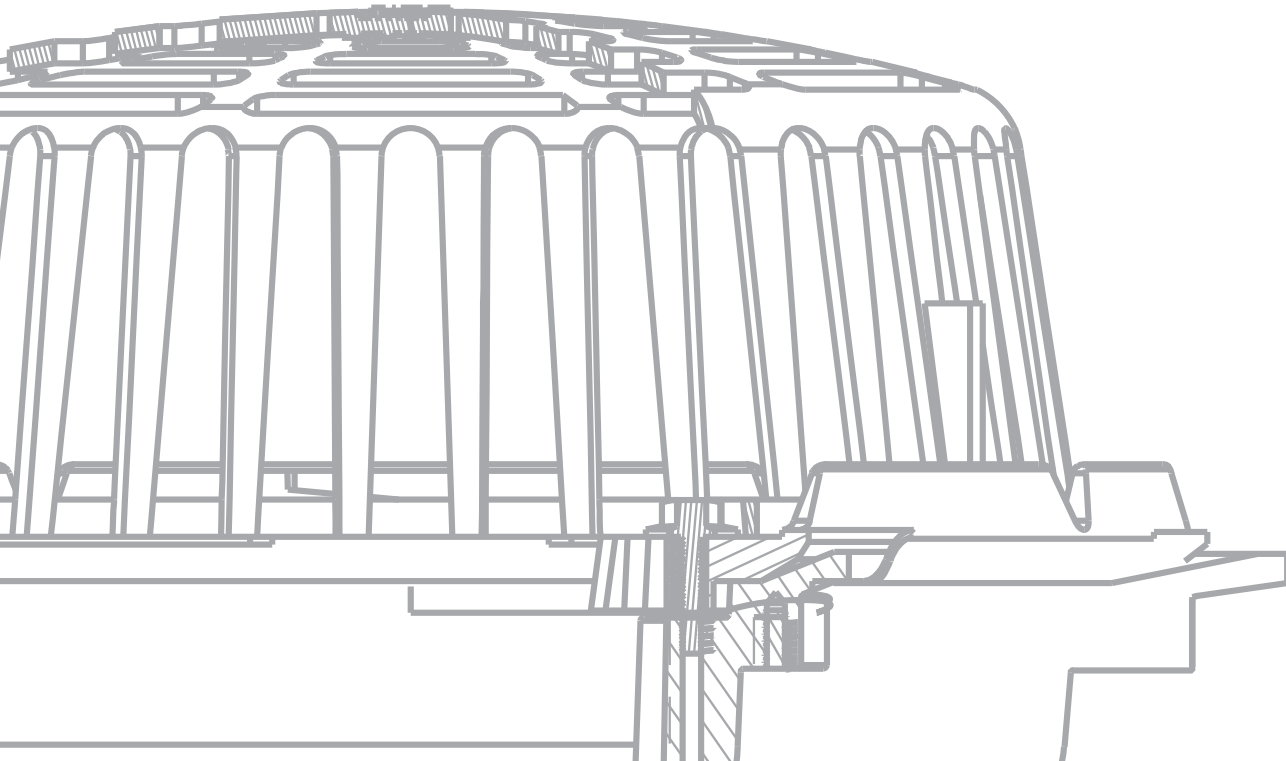
⚠ WARNING: Cancer and Reproductive Harm - www.P65Warnings.ca.gov.

⚠ ADVERTENCIA: Cáncer y daño a la reproducción - www.P65Warnings.ca.gov.

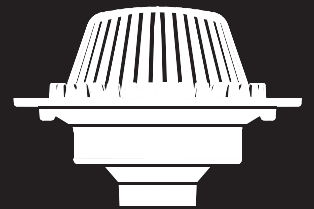
⚠ AVERTISSEMENT: Cancer et effets su la Reproductive - www.P65Warnings.ca.gov.



Note: 1. * Add 3/16" (5) when nickel bronze veneer is specified
2. Dimensions in parentheses are millimeters



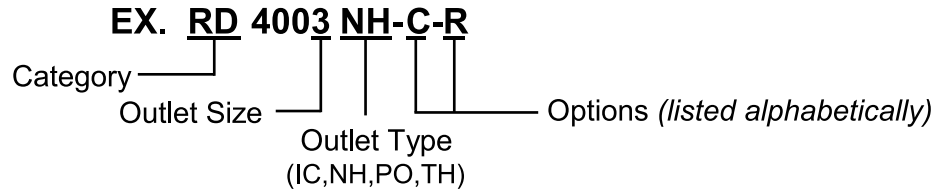
ROOF DRAINS



SUN[®] Drainage Roof Drains comply with A112.6.4-2003

HOW TO BUILD PART NUMBERS

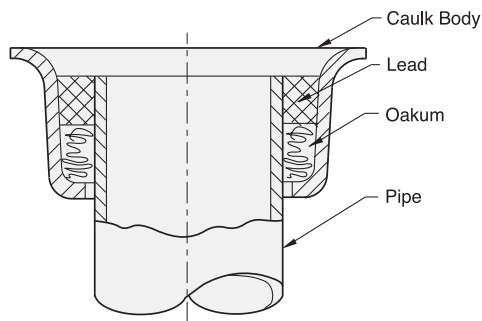
ROOF DRAINS



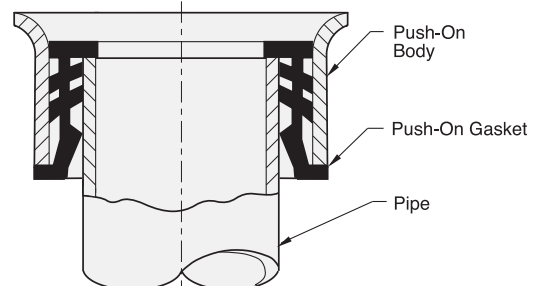
OUTLET TYPE

| | |
|-----------|----------------------------|
| IC | Inside Caulk Outlet |
| NH | No-Hub Outlet |
| PO | Push-On Outlet |
| TH | Thread Connection |

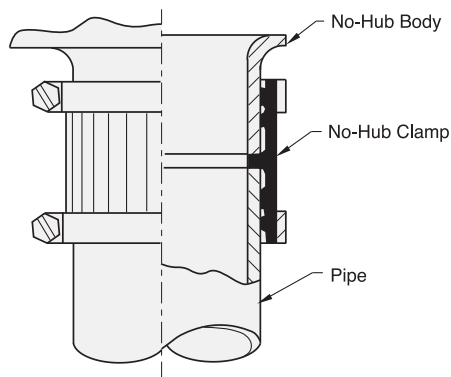
PIPE CONNECTIONS



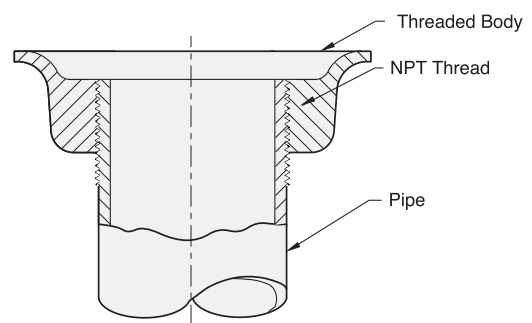
INSIDE CAULK OUTLET - IC



PUSH-ON OUTLET - PO



NO HUB CONNECTION - NH



THREADED CONNECTION - TH

ROOF DRAIN SELECTION

The plumbing design / specifying engineer should determine the following when selecting the proper drain.

- Type of roof construction
- Roof pitch
- Maximum volume of expected rainfall and storm design criteria (This information must be obtained from your local weather bureau and/or local code authority)
- Rain fall roof drainage rate.
- Refer to local code requirements for emergency/secondary overflow roof drainage rate. Local codes vary but it is recommended to provide a 1 to 1 ratio.

- Structural engineer should be advised of possible rainwater build-up to enable proper consideration regarding roof structure design.
- Location of drains (Consult your local code requirements)
- Size
- Vandal-proofing considerations
- **NOTE: ALWAYS CONSULT YOUR LOCAL CODE FOR SIZING AND DESIGN CRITERIA WHEN DESIGNING THE ROOF DRAIN SYSTEM. LOCAL CODE REQUIREMENTS TAKE PRECEDENCE OVER CATALOG INFORMATION.**
- **DATA SHOWN IN TABLES 1 AND 2 BELOW ARE TAKEN FROM THE UNIFORM PLUMBING CODE (UPC) - 2006 EDITION.**

SUGGESTED STEPS FOR SELECTING PROPER ROOF DRAIN LEADER SIZES AND NUMBER REQUIRED FOR A GIVEN ROOF

| | Example: Using a 4" Vertical Leader | Example: Using a 6" Vertical Leader |
|---|--|---|
| 1. Calculate the total roof area. | 1. Total roof area - 500' by 200' = 100,000 sq. ft. | 1. Total roof area - 500' by 200' = 100,000 sq. ft. |
| 2. Determine the maximum hourly rainfall in inches. (The figure can be acquired from your local weather bureau and/or local code authority.) | 2. Determine rate of rainfall - for this example use 4". | 2. Determine rate of rainfall - for this example use 4". |
| 3. Select leader size. | 3. After studying building plan and physical arrangement, assume that 4" leaders are required for this project. | 3. After studying building plan and physical arrangement, assume that 6" leaders are required for this project. |
| 4. From Table 1, determine the number of square feet that can be drained by one roof leader at the local maximum rainfall rate. | 4. From Table 1 - one 4" leader at 4" rate of rainfall will take care of 3,460 sq. ft. of roof area. | 4. From Table 1 - one 6" leader at 4" rate of rainfall will take care of 10,200 sq. ft. of roof area. |
| 5. Divide the total roof area by the area that one leader will handle. The above result is the number of roof drains required for the building. If the result is a fraction less, use the next higher number. | 5. Number of roof leaders required is 29 (100,000 sq. ft. divided by 3,460 sq. ft.), Therefore 29 roof drains would be required. | 5. Number of roof leaders required is 10 (100,000 sq. ft. divided by 10,200 sq. ft.), Therefore 10 roof drains would be required. |

**TABLE 1
ROOF DRAIN VERTICAL LEADER REQUIREMENTS FOR HORIZONTAL ROOF AREAS AT VARIOUS RAINFALL RATES**

| Leaders [2] [4] Pipe Size Inches | Size Open Area SQ. In. | Maximum Allowable Horizontal Projected Roof Area Square Feet at Various Rainfall Rates [1] | | | | | |
|---|---------------------------------|---|-----------|-----------|-----------|-----------|-----------|
| | | 1 IN./HR. | 2 IN./HR. | 3 IN./HR. | 4 IN./HR. | 5 IN./HR. | 6 IN./HR. |
| 02 | 3.14 | 2,176 | 1,088 | 725 | 544 | 435 | 363 |
| 03 | 7.06 | 6,440 | 3,220 | 2,147 | 1,610 | 1,288 | 1,073 |
| 04 | 12.56 | 13,840 | 6,920 | 4,613 | 3,460 | 2,768 | 2,307 |
| 05 | 19.60 | 25,120 | 12,560 | 8,373 | 6,280 | 5,024 | 4,187 |
| 06 | 28.30 | 40,800 | 20,400 | 13,600 | 10,200 | 8,160 | 6,800 |
| 08 | 50.25 | 88,000 | 44,000 | 29,333 | 22,000 | 17,600 | 14,667 |

TABLE 1 IS BASED ON TABLE 11-1 FROM THE UNIFORM PLUMBING CODE (UPC) - 2006 EDITION

[1] For rainfall rates other than those listed, determine the allowable roof area by dividing the area given in the 1 in./hr. column by the desired rainfall rate.

**TABLE 2
ALLOWABLE FLOW FOR VERTICAL LEADERS
AND HORIZONTAL STORM DRAINS
ALLOWABLE FLOW IN G.P.M. [2] [3]**

| PIPE SIZE | [2] [4] VERTICAL LEADER | HORIZONTAL STORM DRAIN SLOPE PER FOOT | | |
|--------------|-------------------------------|--|---------|---------|
| | | 1/8"[3] | 1/4"[3] | 1/2"[3] |
| 02 | 23 | 10 | 15 | 20 |
| 03 | 67 | 34 | 48 | 68 |
| 04 | 144 | 78 | 110 | 156 |
| 05 | 261 | 139 | 196 | 278 |
| 06 | 424 | 222 | 314 | 445 |
| 08 | 913 | 478 | 677 | 956 |
| 10 | — | 860 | 1214 | 1721 |
| 12 | — | 1384 | 1953 | 2768 |
| 15 | — | 2473 | 3491 | 4946 |

TABLE 2 IS BASED ON TABLE 11-2 FROM THE UNIFORM PLUMBING CODE (UPC) - 2006 EDITION.

[2] The sizing data for vertical conductors, leaders, and drains are based on the pipes flowing 7/24 full. Head of water over drain will determine exact flow rates.

[3] The sizing for the horizontal piping is based on the pipes flowing full.

[4] To avoid severe hydraulic jump and/or backpressure, good engineering practice requires the vertical leader transition into a larger size horizontal storm drain per the GPM flow indicated in Table 2 for 1/8" and 1/4" sloped storm drains.

**STEPS FOR CALCULATING DRAINAGE REQUIREMENTS
FOR ABOVE EXAMPLE
USING G.P.M.**

- Use the following formula to determine G.P.M.:
 $G.P.M. = .0104 \times R \times A$
 G.P.M. = Gallons per minute
 R = Rainfall intensity - inches/hour
 A = Roof area - square feet
 .0104 = Conversion factor - G.P.M./sq. ft. for 1" (one) inch/hr. rainfall
- Example:**
 A. 4" rainfall inches/hr.
 B. 100,000 sq. ft. roof area
 C. $G.P.M. = .0104 \times 4" \times 100,000 \text{ sq. ft.} = 4,160 \text{ G.P.M.}$
- Refer to table 2: a 4" leader [2] will handle 144 G.P.M.
 $4,160 \text{ G.P.M.} \div 144 = (28.8) 29 - 4" \text{ vertical leaders required.}$

 Refer to Table 2: a 6" leader [2] will handle 424 G.P.M.
 $4,160 \text{ G.P.M.} \div 424 = (9.8) 10 - 6" \text{ vertical leaders required.}$

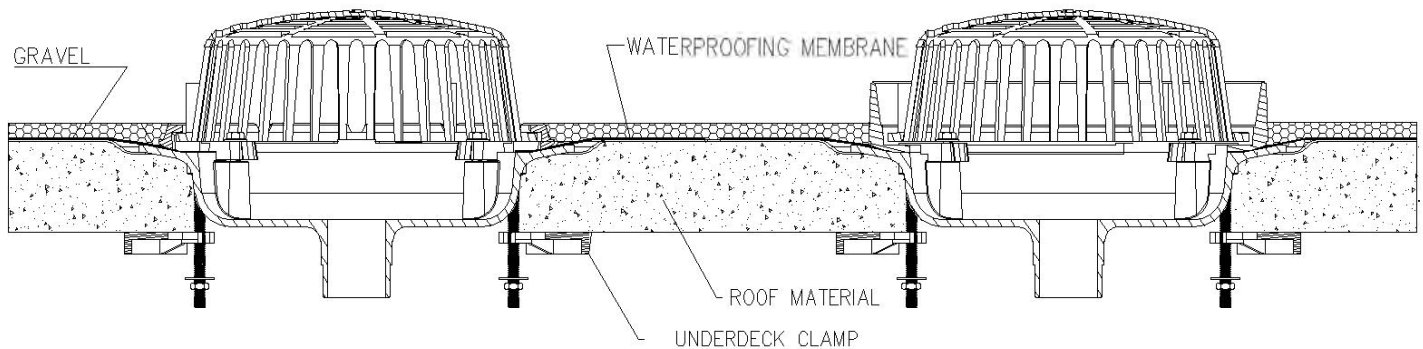
ROOF DRAINS

APPLICATION

RECOMMENDED ROOF DRAIN

| | |
|---------------------------------|---------------------------|
| Main Roof | RD4000, RD4000-90 |
| Combination Main/Overflow Drain | RD4020, RD4000-DP, RD4400 |
| Medium Area | RD4300, RD4200, RD4200-90 |
| Overflow | RD4000-D, RD4200-W2 |
| Planter Drain | RD4100, RD4110 |
| Downspout Nozzle | RD4500 |
| Roof Scupper | RD4600 |

INSTALLATION



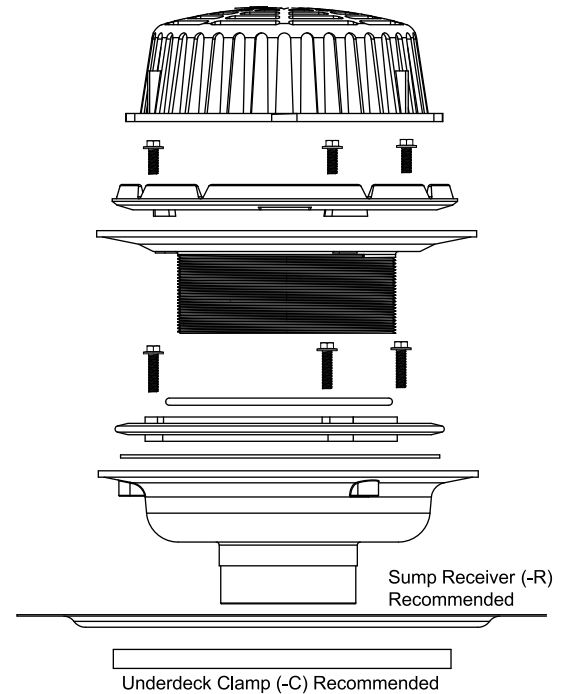
Sun Roof Drains shall be installed in areas where waterproofing material is utilized. It is recommended to use a sump receiver for roof drain installations. Place the sump receiver so that it is flush with the supporting edges. Attach with self-tapping screws (provided by others). Install roof drain sump onto the sump receiver so that the sump rests evenly within the groove of the sump receiver. Water proof membrane to be placed over sump receiver and sump. Bolt clamping collar to drain sump. Tighten sufficiently to create watertight seal. Place dome in clamping collar and twist to lock dome into retaining clips on clamping collar. The underdeck clamp is recommended for installations. From the underside, thread the three studs into the three taps and tighten. Install the underdeck clamp onto the three rods and affix in place with washer and nut on each stud. Use spacers if required, (provided by others) placed between clamping collar and the support assembly and tighten nuts to secure roof drain sump to sump receiver. Make connection to roof drain outlet with piping material. Push On connection is not recommended for roof drains. The O-ring or gasketed joints shall comply with ASTM C564,C1440,or CSA B602.

ROOF DRAINS

OPTIONS

RD4000-AE ADJUSTABLE EXTENSION

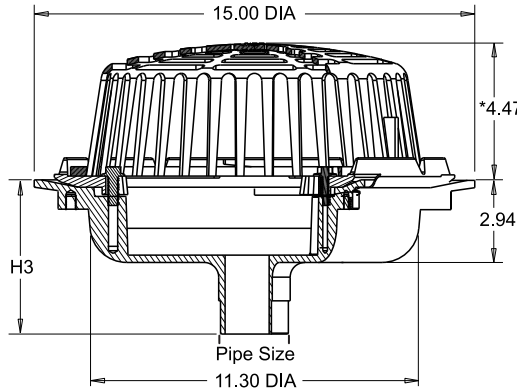
1. Position the gasket on the drain body, aligning the holes in gasket with the holes in the body.
2. Place collar on the body and align the holes in the collar with the holes in the body.
3. Secure the collar to the body with the 3/8-16x1.5" long bolts. Tighten bolts until reversible ring has been secured evenly all around.
4. Wipe the O-Ring recess in the collar clean. Insert the O-Ring in the groove of threads in the inside diameter of the reversible collar. Completely lubricate the O-Ring with the lubricant provided. Lubricate the remaining threads.
5. Generously lubricate the entire first few threads of the adjustable sleeve. Thread the adjustable sleeve into the reversible collar and adjust to the required height. Do not exceed the minimum/maximum 1.75" - 4.00" adjustment dimensions.
6. Confirm that the bolts are securely tightened. Run waterproofing membrane over the top of the adjustable sleeve to inside of bolt circle.
7. Install flashing clamp and secure with 3/8-16x1" (3) bolts.
8. Twist Dome and lock into place.



ROOF DRAINS

RD4000

15" DIAMETER ROOF DRAIN



Engineering Specification:

SUN® RD4000 15" diameter roof drain, coated cast iron body with combination membrane flashing clamp/gravel guard and low profile poly dome.

| OUTLETS (Specify pipe size in inches and type of outlet) | | | |
|--|--------------------------------------|-------------|---------|
| Outlet Type | Outlet Desig. Pipe Size/ Outlet Type | Body Ht. H3 | ADD |
| Inside Caulk | 2IC, 3IC, 4IC, 6IC..... | 5.31 | N/C |
| | 8IC..... | 5.44 | N/C |
| No Hub... | 2NH..... | 5.25 | N/C |
| | 3NH, 4NH..... | 4.60 | N/C |
| | 5NH, 6NH, 8NH..... | 5.25 | N/C |
| *Push On... | 2PO, 3PO, 4PO..... | 4.60 | N/C |
| | 6PO..... | 5.45 | N/C |
| Threaded... | 2TH, 3TH, 4TH, 5TH, 6TH | 3.75 | \$62.00 |

*Not recommended for roof drain application

| SUFFIXES | | ADD |
|----------|--|------------|
| -AD | Aluminum Dome | SEE CHART |
| -AE | Adjustable Extension | \$572.00 |
| -AR | Acid Resistant Epoxy Coated Cast Iron | \$1,070.00 |
| -C | Underdeck Clamp | \$192.00 |
| -CID | Cast Iron Dome | SEE CHART |
| -D | 2" External Water Dam | \$183.00 |
| -DP | Top Mount Deck Plate | \$344.00 |
| -G | Galvanized Cast Iron | \$756.00 |
| -GD | Galvanized Cast Iron Dome (CID Only) | \$302.00 |
| -GG | 2" High SS Gravel Guard | \$619.00 |
| -R | Sump Receiver | \$214.00 |
| *-W4 | 4" High Internal Water Dam | \$331.00 |
| -2PE | 2" High SS Perforated Extension | \$611.00 |
| -4PE | 4" High SS Perforated Extension | \$611.00 |
| -90 | 90° Threaded Side Outlet Body (2" - 4" Only) | \$290.00 |
| -90N | 90° No Hub Side Outlet Body (2" - 4" Only) | \$405.00 |
| -SS | Stainless Steel Mesh Dome | \$396.00 |
| -VR | Vandal Resistant Dome | \$98.00 |

*4" Internal High Waterdam can be cut by others to 3" or 2" water dam height as marked on standpipe.

⚠ WARNING: Cancer and Reproductive Harm - www.P65Warnings.ca.gov.

⚠ ADVERTENCIA: Cáncer y daño a la reproducción - www.P65Warnings.ca.gov.

⚠ AVERTISSEMENT: Cancer et effets su la Reproductive - www.P65Warnings.ca.gov.

LIST PRICE

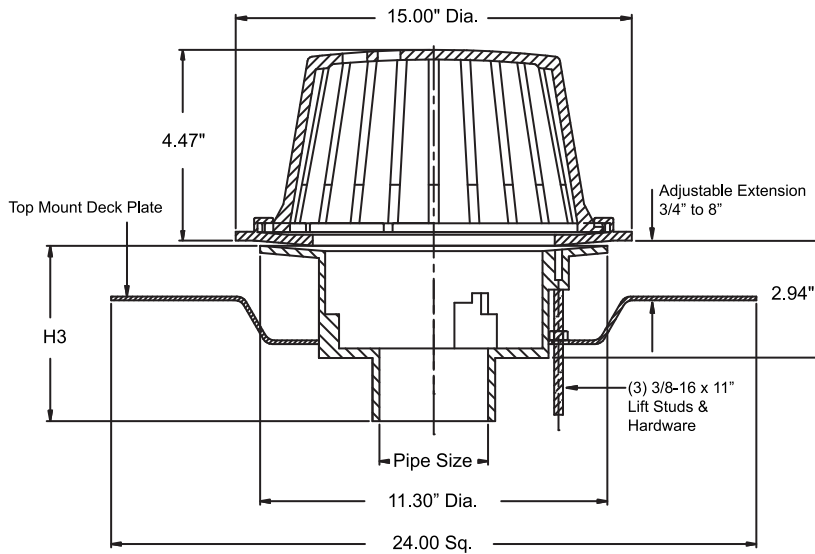
| Pipe Size (In.) | Approx. Wt. Lbs. | Dome Open Area Sq. In. | Poly Dome | Cast Iron Dome (CID) | Aluminum Dome (AD) |
|-----------------|------------------|------------------------|------------|----------------------|--------------------|
| 2 - 3 - 4 | 28 | 105.36 | \$556.00 | \$721.00 | \$751.00 |
| 5 - 6 | 28 | | \$797.00 | \$962.00 | \$993.00 |
| 8 | 25 | | \$1,037.00 | \$1,202.00 | \$1,232.00 |

* Dome height to be 5.00" when W4 is specified.

ROOF DRAINS

RD4000-RE

15" DIA. ROOF DRAIN WITH ADJUSTABLE EXTENSION AND TOP MOUNT DECK PLATE



Engineering Specification:

SUN® RD4000-RE lacquered cast iron 15" diameter flanged body and clamping ring with integral gravel stop and dome strainer with free area of 103 square inches. Top Deck Mount Deck Plate and Adjustable Stud Extension Assembly.

| OUTLETS (Specify pipe size in inches and type of outlet) | | | |
|--|--------------------------------------|-------------|---------|
| Outlet Type | Outlet Desig. Pipe Size/ Outlet Type | Body Ht. H3 | ADD |
| Inside Caulk | 2IC, 3IC, 4IC, 6IC..... | 5.31 | N/C |
| | 8IC..... | 5.44 | N/C |
| No Hub... | 2NH..... | 5.25 | N/C |
| | 3NH, 4NH..... | 4.60 | N/C |
| | 5NH, 6NH, 8NH | 5.25 | N/C |
| *Push On... | 2PO, 3PO, 4PO..... | 4.60 | N/C |
| | 6PO..... | 5.45 | N/C |
| Threaded... | 2TH, 3TH, 4TH, 5TH, 6TH | 3.75 | \$62.00 |

*Not recommended for roof drain application

| SUFFIXES | | ADD |
|----------|---------------------------------------|------------|
| -AD | Aluminum Dome | SEE CHART |
| -AR | Acid Resistant Epoxy Coated Cast Iron | \$1,070.00 |
| -CID | Cast Iron Dome | SEE CHART |
| -D | 2" External Water Dam | \$183.00 |
| -G | Galvanized Cast Iron | \$756.00 |
| -GD | Galvanized Cast Iron Dome (CID Only) | \$302.00 |
| -GG | 2" High SS Gravel Guard | \$619.00 |
| -SS | Stainless Steel Mesh Dome | \$396.00 |
| -VR | Vandal Resistant Dome | \$98.00 |
| *-W4 | 4" High Internal Water Dam | \$331.00 |
| -2PE | 2" High SS Perforated Extension | \$611.00 |
| -4PE | 4" High SS Perforated Extension | \$611.00 |

*4" Internal High Waterdam can be cut by others to 3" or 2" water dam height as marked on standpipe.

⚠ WARNING: Cancer and Reproductive Harm - www.P65Warnings.ca.gov.

⚠ ADVERTENCIA: Cáncer y daño a la reproducción - www.P65Warnings.ca.gov.

⚠ AVERTISSEMENT: Cancer et effets sur la Reproductive - www.P65Warnings.ca.gov.

LIST PRICE

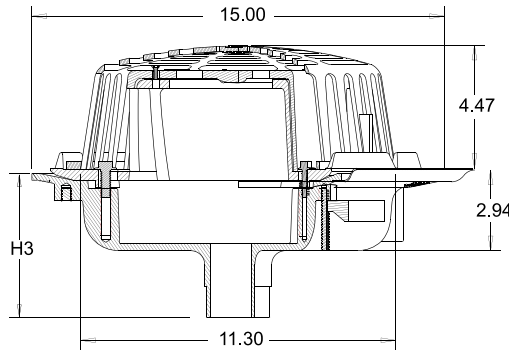
| Pipe Size (In.) | Approx. Wt. Lbs. | Dome Open Area Sq. In. | Poly Dome | Cast Iron Dome (CID) | Aluminum Dome (AD) |
|-----------------|------------------|------------------------|------------|----------------------|--------------------|
| 2 - 3 - 4 | 28 | 105.36 | \$850.00 | \$1,015.00 | \$1,045.00 |
| 5 - 6 | 28 | | \$1,091.00 | \$1,226.00 | \$1,287.00 |
| 8 | 25 | | \$1,331.00 | \$1,496.00 | \$1,526.00 |

* Dome height to be 5.00" when W4 is specified.

ROOF DRAINS

RD4010

15" DIAMETER WEIR ROOF DRAIN



Engineering Specification:

SUN® RD4010 15" diameter weir roof drain, coated cast iron body, coated cast iron 5 position adjustable weir with combination membrane flashing clamp/gravel guard and low profile poly dome.

| OUTLETS (Specify pipe size in inches and type of outlet) | | | |
|--|--------------------------------------|-------------|---------|
| Outlet Type | Outlet Desig. Pipe Size/ Outlet Type | Body Ht. H3 | ADD |
| Inside Caulk | 2IC, 3IC, 4IC, 6IC..... | 5.30 | N/C |
| No Hub... | 2NH..... | 5.25 | N/C |
| | 3NH, 4NH..... | 4.60 | N/C |
| | 5NH, 6NH, 8NH..... | 5.25 | N/C |
| *Push On... | 2PO, 3PO, 4PO..... | 4.60 | N/C |
| | 6PO..... | 5.45 | N/C |
| Threaded... | 2TH, 3TH, 4TH, 5TH, 6TH | 3.75 | \$62.00 |

*Not recommended for roof drain application

SUFFIXES ADD

| | | |
|-------------|--|-------------------|
| -AD | Aluminum Dome | SEE CHART |
| -AE | Adjustable Extension | \$572.00 |
| -AR | Acid Resistant Epoxy Coated Cast Iron | \$1,070.00 |
| -C | Underdeck Clamp | \$192.00 |
| -CID | Cast Iron Dome | SEE CHART |
| -G | Galvanized Cast Iron | \$1,074.00 |
| -DP | Top Mount Deck Plate | \$344.00 |
| -GD | Galvanized Cast Iron Dome (CID Only) | \$302.00 |
| -GG | 2" High SS Gravel Guard | \$619.00 |
| -R | Sump Receiver | \$214.00 |
| -SS | Stainless Steel Mesh Dome | \$396.00 |
| -2PE | 2" High SS Perforated Extension | \$611.00 |
| -4PE | 4" High SS Perforated Extension | \$611.00 |
| -90 | 90° Threaded Side Outlet Body (2" - 4" Only) | \$290.00 |
| -90N | 90° No Hub Side Outlet Body (2" - 4" Only) | \$405.00 |
| -VR | Vandal Resistant Dome | \$98.00 |

⚠ WARNING: Cancer and Reproductive Harm - www.P65Warnings.ca.gov.

⚠ ADVERTENCIA: Cáncer y daño a la reproducción - www.P65Warnings.ca.gov.

⚠ AVERTISSEMENT: Cancer et effets su la Reproductive - www.P65Warnings.ca.gov.

LIST PRICE

| Pipe Size (In.) | Approx. Wt. Lbs. | Dome Open Area Sq. In. | Poly Dome | Cast Iron Dome (CID) | Aluminum Dome (AD) |
|-----------------|------------------|------------------------|------------|----------------------|--------------------|
| 2 - 3 - 4 | 45 | 105.36 | \$1,380.00 | \$1,553.00 | \$1,584.00 |
| 5 - 6 | 45 | | \$1,614.00 | \$1,788.00 | \$1,819.00 |

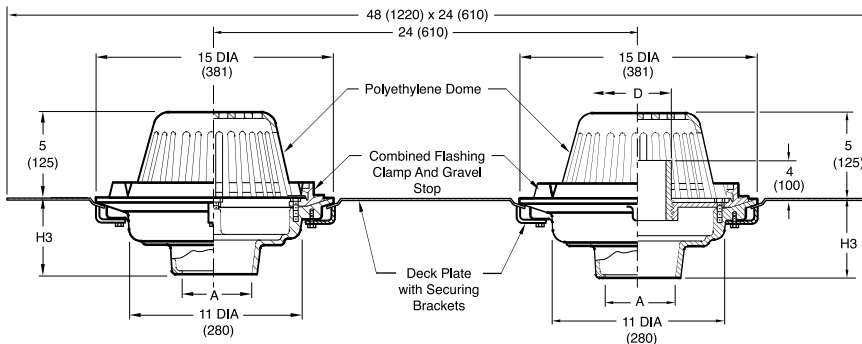
WEIR OPENING FLOW RATE BY POSITION (GPM)

| Rain Fall Depth | WEIR OPENING FLOW RATE BY POSITION (GPM) | | | | |
|-----------------|--|-----|-----|-----|------|
| | 20° | 40° | 60° | 80° | 100° |
| 1" | 3 | 5 | 8 | 10 | 15 |
| 2" | 5 | 10 | 15 | 20 | 30 |
| 3" | 8 | 15 | 30 | 45 | 60 |
| Weir Position | 1 | 2 | 3 | 4 | 5 |

ROOF DRAINS

RD4020

15" DIA. COMBINATION ROOF DRAIN AND OVERFLOW DRAIN



Engineering Specification:

SUN® RD4020-DP (2) Coated 15" Cast Iron Bodies, (1) Combination Flashing Clamp with Gravel Stop Roof Drain and (1) Combination Flashing Clamp with 4" High Internal Water Dam Overflow Roof Drain. Dual Drain Top Mount Deck Plate to receive both Roof Drains with Poly Domes.

OUTLETS (Specify pipe size in inches and type of outlet)

| Outlet Type | Outlet Desig. Pipe Size/ Outlet Type | Body Ht. H3 | ADD |
|--------------|--------------------------------------|-------------|----------|
| Inside Caulk | 2IC, 3IC, 4IC, 6IC..... | 5.31 | N/C |
| | 8IC..... | 5.44 | N/C |
| No Hub... | 2NH..... | 5.25 | N/C |
| | 3NH, 4NH..... | 4.60 | N/C |
| | 5NH, 6NH, 8NH..... | 5.25 | N/C |
| *Push On... | 2PO, 3PO, 4PO..... | 4.60 | N/C |
| | 6PO..... | 5.45 | N/C |
| Threaded... | 2TH, 3TH, 4TH, 5TH, 6TH | 3.75 | \$124.00 |

*Not recommended for roof drain application

SUFFIXES

| SUFFIXES | ADD |
|---|------------|
| -AD Aluminum Dome | SEE CHART |
| -AE Adjustable Extension | \$1,144.00 |
| -AR Acid Resistant Epoxy Coated Cast Iron | \$2,140.00 |
| -CID Cast Iron Dome | SEE CHART |
| -D 2" External Water Dam | \$183.00 |
| -G Galvanized Cast Iron | \$1,512.00 |
| -GD Galvanized Cast Iron Dome (CID Only) | \$604.00 |
| -SS Stainless Steel Mesh Dome | \$792.00 |
| -GG 2" High SS Gravel Guard | \$1,238.00 |
| -2PE 2" High SS Perforated Extension | \$1,222.00 |
| -4PE 4" High SS Perforated Extension | \$1,222.00 |
| *-W4 4" High Internal Water Dam | N/C |
| -VR Vandal Resistant Dome | \$196.00 |

*4" Internal High Waterdam can be cut by others to 3" or 2" water dam height as marked on standpipe.

⚠ WARNING: Cancer and Reproductive Harm - www.P65Warnings.ca.gov.

⚠ ADVERTENCIA: Cáncer y daño a la reproducción - www.P65Warnings.ca.gov.

⚠ AVERTISSEMENT: Cancer et effets su la Reproductive - www.P65Warnings.ca.gov.

OUTLET (Specify pipe size and type outlet)

| Outlet Type | Approx. Wt. Lbs. | Dome Open Area Sq. In. | Outlet Designation Pipe Size / Outlet Size |
|-------------|------------------|------------------------|--|
| IC | 65 | 105 | 2IC, 3IC, 4IC, 6IC, 8IC |
| NH | 65 | 105 | 2NH, 3NH, 4NH, 5NH, 6NH, 8NH |
| PO | 65 | 105 | 2PO, 3PO, 4PO, 6PO |
| TH | 65 | 102 | 2TH, 3TH, 4TH, 5TH, 6TH |

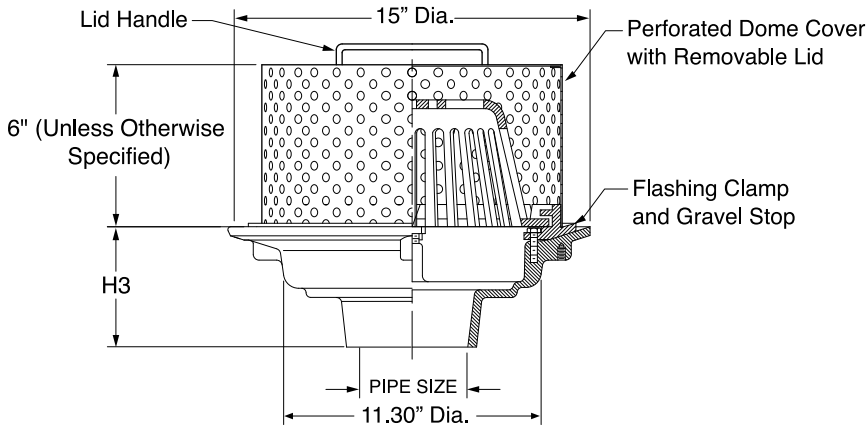
LIST PRICE

| Pipe Size (In.) | Poly Dome | Cast Iron Dome (CID) | Aluminum Dome (AD) |
|-----------------|------------|----------------------|--------------------|
| 2 - 3 - 4 | \$1,964.00 | \$2,292.00 | \$2,345.00 |
| 5 - 6 | \$2,440.00 | \$2,767.00 | \$2,826.00 |
| 8 | \$2,917.00 | \$3,246.00 | \$3,302.00 |

ROOF DRAINS

RD4100

GREEN ROOF PLANTER DRAIN



Engineering Specification:

SUN® RD4100 Coated Cast Iron Body with Combination Clamping Collar and Gravel Stop, Polyethylene Dome with Stainless Steel Perforated Dome Cover with Removable Top with Lift Handle.

| SUFFIXES | ADD |
|--|------------|
| -AE Adjustable Extension | \$195.00 |
| -AR Acid Resistant Epoxy Coated Cast Iron | \$1,070.00 |
| -C Underdeck Clamp | \$192.00 |
| -DP Top Mount Deck Plate | \$344.00 |
| -G Galvanized Cast Iron | \$756.00 |
| -R Sump Receiver | \$202.00 |
| -90 90° Threaded Side Outlet Body (2" - 4" Only) | \$290.00 |
| -90N 90° No Hub Side Outlet Body (2" - 4" Only) | \$405.00 |

⚠ WARNING: Cancer and Reproductive Harm - www.P65Warnings.ca.gov.

⚠ ADVERTENCIA: Cáncer y daño a la reproducción - www.P65Warnings.ca.gov.

⚠ AVERTISSEMENT: Cancer et effets su la Reproductive - www.P65Warnings.ca.gov.

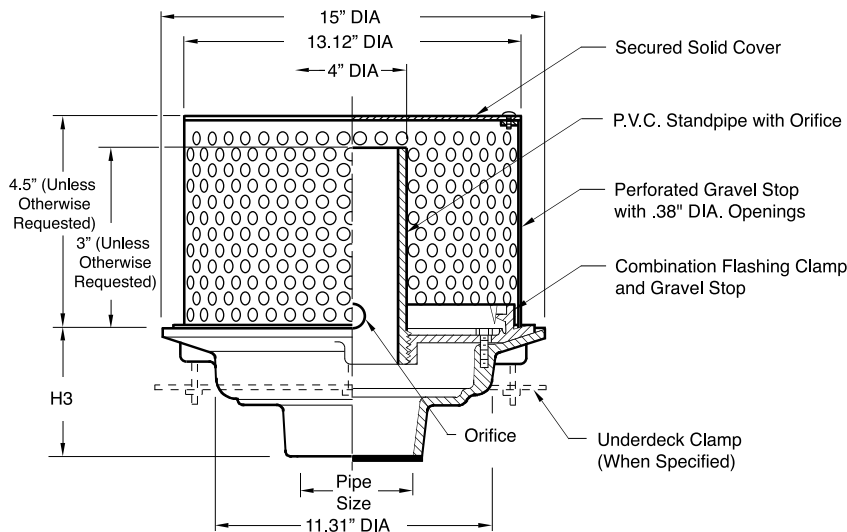
| OUTLET (Specify pipe size and type outlet) | | | |
|--|------------------|---------------------|--|
| Outlet Type | Approx. Wt. Lbs. | Body Height H3 (in) | Outlet Designation Pipe Size / Outlet Size |
| IC | 31 | 5.31 | 2IC, 3IC, 4IC, 6IC |
| | 31 | 5.44 | 8IC |
| NH | 31 | 5.25 | 2NH, 5NH, 6NH, 8NH |
| | 31 | 4.60 | 3NH, 4NH |
| PO | 33 | 4.60 | 2PO, 3PO, 4PO |
| | 33 | 5.45 | 6PO |
| TH | 31 | 3.75 | 2TH, 3TH, 4TH |

| Pipe Size (In.) | List Price |
|-----------------|------------|
| 2 - 3 - 4 | \$3,370.00 |
| 5 - 6 | \$3,644.00 |
| 8 | \$3,884.00 |

ROOF DRAINS

RD4110

CONTROL FLOW GREEN ROOF PLANTER DRAIN



Engineering Specification:

SUN® RD4110 Coated Cast Iron Body, Combination Flashing Clamp and Gravel Stop with Stainless Steel Perforated Gravel Guard with Solid Secured Cover and 4" Dia P.V.C. Internal Waterdam with Seepage Orifice.

| SUFFIXES | ADD |
|----------|---|
| -AE | Adjustable Extension \$572.00 |
| -AR | Acid Resistant Epoxy Coated Cast Iron \$1,070.00 |
| -C | Underdeck Clamp \$192.00 |
| -DP | Top Mount Deck Plate \$344.00 |
| -G | Galvanized Cast Iron \$756.00 |
| -R | Sump Receiver \$202.00 |
| -90 | 90° Threaded Side Outlet Body (2" - 4" Only) \$290.00 |
| -90N | 90° No Hub Side Outlet Body (2" - 4" Only) \$405.00 |

⚠ WARNING: Cancer and Reproductive Harm - www.P65Warnings.ca.gov.

⚠ ADVERTENCIA: Cáncer y daño a la reproducción - www.P65Warnings.ca.gov.

⚠ AVERTISSEMENT: Cancer et effets sur la Reproductive - www.P65Warnings.ca.gov.

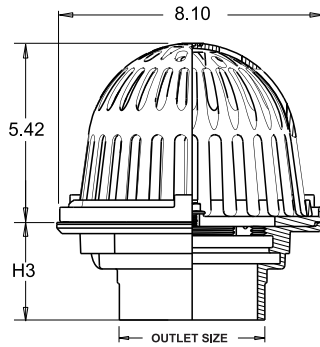
OUTLET (Specify pipe size and type outlet)

| Outlet Type | Approx. Wt. Lbs. | Body Height H3 (in.) | Outlet Designation Pipe Size / Outlet Size | Overflow Standpipe Oriface Size (in.) | List Price |
|-------------|------------------|----------------------|--|---------------------------------------|------------|
| IC | 33 | 5.31 | 2IC, 3IC, 4IC | 5/8 Dia. | \$3,472.00 |
| | 33 | 5.31 | 6IC | 1 Dia. | \$3,746.00 |
| | 33 | 5.44 | 8IC | 1 Dia. | \$3,986.00 |
| NH | 33 | 5.25 | 2NH | 5/8 Dia. | \$3,472.00 |
| | 33 | 4.60 | 3NH, 4NH | 5/8 Dia. | \$3,472.00 |
| | 33 | 5.25 | 5NH, 6NH | 1 Dia. | \$3,746.00 |
| | 33 | 5.25 | 8NH | 1 Dia. | \$3,986.00 |
| PO | 33 | 4.60 | 2PO, 3PO, 4PO | 5/8 Dia. | \$3,472.00 |
| | 33 | 5.45 | 6PO | 1 Dia. | \$3,746.00 |
| TH | 33 | 3.75 | 2TH, 3TH, 4TH | 5/8 Dia. | \$3,534.00 |

ROOF DRAINS

RD4200

8" DIAMETER ROOF DRAIN



Engineering Specification:

SUN® RD4200 8" diameter roof drain, coated cast iron body with combination membrane flashing clamp/gravel guard and aluminum dome.

| OUTLETS (Specify pipe size in inches and type of outlet) | | | |
|--|--------------------------------------|-------------|---------|
| Outlet Type | Outlet Desig. Pipe Size/ Outlet Type | Body Ht. H3 | ADD |
| Inside Caulk | 2IC, 3IC, 4IC..... | 3.92 | N/C |
| No Hub | 2NH, 3NH, 4NH..... | 3.00 | N/C |
| *Push On | 2PO, 3PO, 4PO..... | 3.00 | N/C |
| Threaded | 2TH, 3TH, 4TH..... | 2.50 | \$62.00 |

*Not recommended for roof drain application

| LIST PRICE | | | |
|-----------------|------------------|------------------------|---------------|
| Pipe Size (In.) | Approx. Wt. Lbs. | Dome Open Area Sq. In. | Aluminum Dome |
| 2 - 3 - 4 | 10 | 38.9 | \$419.00 |

| SUFFIXES | | ADD |
|----------|--|----------|
| -AR | Acid Resistant Epoxy Coated Cast Iron | \$603.00 |
| -C | Underdeck Clamp | \$118.00 |
| -G | Galvanized Cast Iron | \$157.00 |
| -R | Sump Receiver | \$202.00 |
| -SS | Stainless Steel Mesh Dome | \$351.00 |
| -W2 | Internal 2" High Water Dam | \$153.00 |
| -90 | 90° Threaded Side Outlet Body (2" - 4" Only) | \$145.00 |
| -90N | 90° No Hub Side Outlet Body (2" - 4" Only) | \$256.00 |
| -VR | Vandal Resistant Dome | \$91.00 |

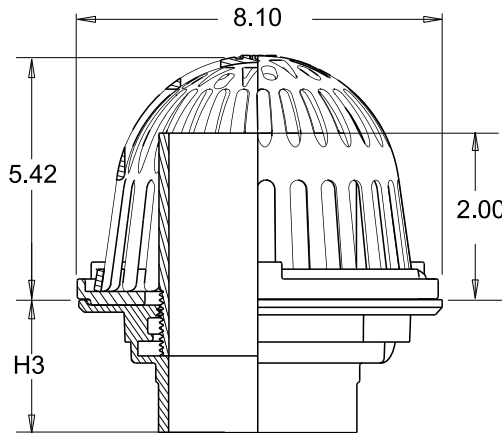
▲ WARNING: Cancer and Reproductive Harm - www.P65Warnings.ca.gov.

▲ ADVERTENCIA: Cáncer y daño a la reproducción - www.P65Warnings.ca.gov.

▲ AVERTISSEMENT: Cancer et effets su la Reproductive - www.P65Warnings.ca.gov.

RD4200-W2

8" DIAMETER ROOF DRAIN WITH INTERNAL WATERDAM



Engineering Specification:

SUN® RD4200-W2 Coated Cast Iron Body with Combination Membrane Flashing Clamp / Gravel Guard, Aluminum Dome and 2" High x 4" Diameter Internal Water Dam.

| OUTLETS (Specify pipe size in inches and type of outlet) | | | |
|--|--------------------------------------|-------------|---------|
| Outlet Type | Outlet Desig. Pipe Size/ Outlet Type | Body Ht. H3 | ADD |
| Inside Caulk | 2IC, 3IC, 4IC..... | 3.92 | N/C |
| No Hub | 2NH, 3NH, 4NH..... | 3.00 | N/C |
| *Push On | 2PO, 3PO, 4PO..... | 3.00 | N/C |
| Threaded | 2TH, 3TH, 4TH..... | 2.50 | \$62.00 |

| SUFFIXES | | ADD |
|----------|--|----------|
| -AR | Acid Resistant Epoxy Coated Cast Iron | \$603.00 |
| -C | Under Deck Clamp | \$118.00 |
| -G | Galvanized Cast Iron | \$157.00 |
| -R | Sump Receiver | \$202.00 |
| -SS | Stainless Steel Mesh Dome | \$351.00 |
| -90 | 90° Threaded Side Outlet Body (2" - 4" Only) | \$145.00 |
| -90N | 90° No Hub Side Outlet Body (2" - 4" Only) | \$256.00 |

▲ WARNING: Cancer and Reproductive Harm - www.P65Warnings.ca.gov.

▲ ADVERTENCIA: Cáncer y daño a la reproducción - www.P65Warnings.ca.gov.

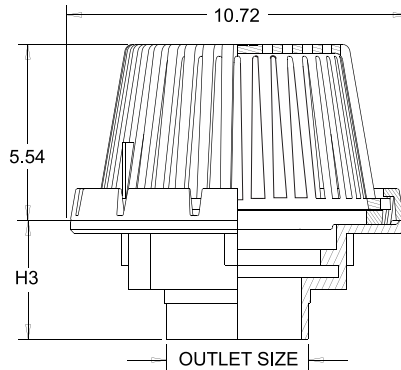
▲ AVERTISSEMENT: Cancer et effets su la Reproductive - www.P65Warnings.ca.gov.

| LIST PRICE | | | |
|-----------------|------------------|------------------------|---------------|
| Pipe Size (In.) | Approx. Wt. Lbs. | Dome Open Area Sq. In. | Aluminum Dome |
| 2 - 3 - 4 | 10 | 38.9 | \$572.00 |

ROOF DRAINS

RD4300

10" DIAMETER ROOF DRAIN



Engineering Specification:

SUN® RD4300 10" diameter roof drain, coated cast iron with combination membrane flashing clamp/gravel guard and coated cast iron dome.

OUTLETS (Specify pipe size in inches and type of outlet)

| Outlet Type | Outlet Desig. Pipe Size/ Outlet Type | Body Ht. Dim. | ADD |
|-------------|--------------------------------------|---------------|-----|
| No Hub | 2NH, 3NH, 4NH..... | 3.73 | N/C |

SUFFIXES ADD

| | | |
|-----|---------------------------------------|----------|
| -AR | Acid Resistant Epoxy Coated Cast Iron | \$803.00 |
| -C | Underdeck Clamp | \$118.00 |
| -DP | Top Mount Deck Plate | \$314.00 |
| -G | Galvanized Cast Iron | \$310.00 |
| -R | Sump Receiver | \$202.00 |
| -W2 | Internal 2" High Water Dam | \$301.00 |
| -VR | Vandal Resistant Dome | \$91.00 |

⚠ WARNING: Cancer and Reproductive Harm - www.P65Warnings.ca.gov.

⚠ ADVERTENCIA: Cáncer y daño a la reproducción - www.P65Warnings.ca.gov.

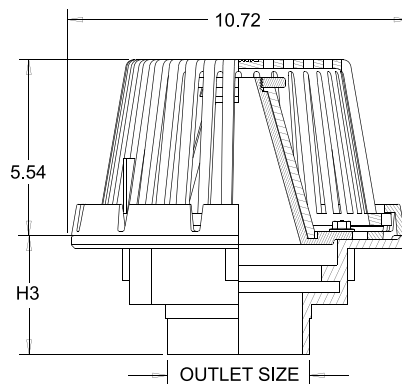
⚠ AVERTISSEMENT: Cancer et effets su la Reproductive - www.P65Warnings.ca.gov.

LIST PRICE

| Pipe Size (In.) | Approx. Wt. Lbs. | Dome Open Area Sq. In. | Cast Iron Dome |
|-----------------|------------------|------------------------|----------------|
| 2 - 3 - 4 | 30 | 77.2 | \$618.00 |

RD4310

10" DIAMETER ADJUSTABLE WEIR ROOF DRAIN



Engineering Specification:

SUN® RD4310 10" diameter adjustable weir roof drain, coated cast iron adjustable weir with combination membrane flashing clamp/gravel guards and coated cast iron dome.

OUTLETS (Specify pipe size in inches and type of outlet)

| Outlet Type | Outlet Desig. Pipe Size/ Outlet Type | Body Ht. Dim. | ADD |
|-------------|--------------------------------------|---------------|-----|
| No Hub | 2NH, 3NH, 4NH..... | 3.73 | N/C |

SUFFIXES ADD

| | | |
|-----|---------------------------------------|------------|
| -AR | Acid Resistant Epoxy Coated Cast Iron | \$1,268.00 |
| -C | Underdeck Clamp | \$118.00 |
| -DP | Top Mount Deck Plate | \$314.00 |
| -G | Galvanized Cast Iron | \$997.00 |
| -R | Sump Receiver | \$202.00 |
| -VR | Vandal Resistant Dome | \$98.00 |

⚠ WARNING: Cancer and Reproductive Harm - www.P65Warnings.ca.gov.

⚠ ADVERTENCIA: Cáncer y daño a la reproducción - www.P65Warnings.ca.gov.

⚠ AVERTISSEMENT: Cancer et effets su la Reproductive - www.P65Warnings.ca.gov.

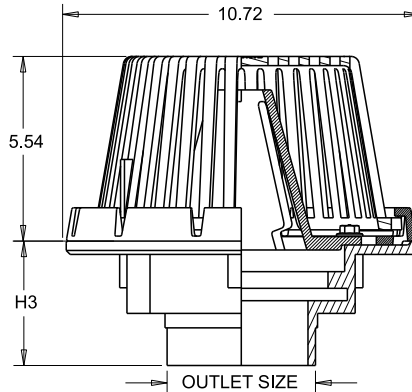
LIST PRICE

| Pipe Size (In.) | Approx. Wt. Lbs. | Dome Open Area Sq. In. | Cast Iron Dome |
|-----------------|------------------|------------------------|----------------|
| 2 - 3 - 4 | 30 | 77.2 | \$958.00 |

ROOF DRAINS

RD4320

10" DIAMETER FIXED WEIR ROOF DRAIN



Engineering Specification:

SUN® RD4320 10" diameter fixed weir roof drain, coated cast body, coated cast iron weir with combination membrane flashing clamp/gravel guards and coated cast iron dome.

OUTLETS (Specify pipe size in inches and type of outlet)

| Outlet Type | Outlet Desig. Pipe Size/ Outlet Type | Body Ht. Dim. | ADD |
|-------------|--------------------------------------|---------------|-----|
| No Hub | 2NH, 3NH, 4NH..... | 3.73 | N/C |

SUFFIXES

| SUFFIXES | ADD |
|---|------------|
| -AR Acid Resistant Epoxy Coated Cast Iron | \$1,268.00 |
| -G Galvanized Cast Iron | \$997.00 |
| -VR Vandal Resistant Dome | \$98.00 |

The parabolic weir opening allows for a fix rate of 5 GMP per IN. of water (Head Pressure)

⚠ WARNING: Cancer and Reproductive Harm - www.P65Warnings.ca.gov.

⚠ ADVERTENCIA: Cáncer y daño a la reproducción - www.P65Warnings.ca.gov.

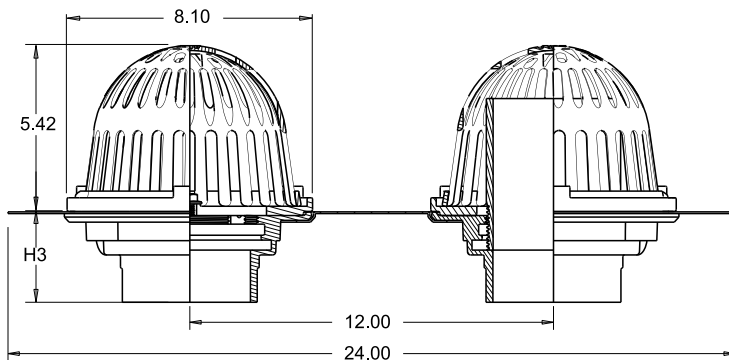
⚠ AVERTISSEMENT: Cancer et effets su la Reproductive - www.P65Warnings.ca.gov.

LIST PRICE

| Pipe Size (In.) | Approx. Wt. Lbs. | Dome Open Area Sq. In. | Cast Iron Dome |
|-----------------|------------------|------------------------|----------------|
| 2 - 3 - 4 | 30 | 77.2 | \$958.00 |

RD4400

8" DIAMETER COMBINATION ROOF DRAIN AND OVERFLOW SYSTEM



Engineering Specification:

SUN® RD4400 8" combination roof drain and overflow drain, coated cast iron bodies with combination membrane flashing clamp/gravel guards, integral sump receiver and aluminum domes.

OUTLETS (Specify pipe size in inches and type of outlet)

| Outlet Type | Outlet Desig. Pipe Size/ Outlet Type | Body Ht. H3 | ADD |
|--------------|--------------------------------------|-------------|----------|
| Inside Caulk | 2IC, 3IC, 4IC..... | | |
| No Hub | 2NH, 3NH, 4NH..... | 3.00 | N/C |
| *Push On | 2PO, 3PO, 4PO..... | 3.00 | N/C |
| Threaded | 2TH, 3TH, 4TH..... | 2.50 | \$124.00 |

*Not recommended for roof drain application

SUFFIXES

| SUFFIXES | ADD |
|--|------------|
| -AR Acid Resistant Epoxy Coated Cast Iron | \$1,206.00 |
| -C Underdeck Clamp | \$236.00 |
| -G Galvanized Cast Iron | \$314.00 |
| -90 90° Threaded Side Outlet Body (2" - 4" Only) | \$290.00 |
| -90N 90° No Hub Side Outlet Body (2" - 4" Only) | \$512.00 |
| -VR Vandal Resistant Dome | \$182.00 |

⚠ WARNING: Cancer and Reproductive Harm - www.P65Warnings.ca.gov.

⚠ ADVERTENCIA: Cáncer y daño a la reproducción - www.P65Warnings.ca.gov.

⚠ AVERTISSEMENT: Cancer et effets su la Reproductive - www.P65Warnings.ca.gov.

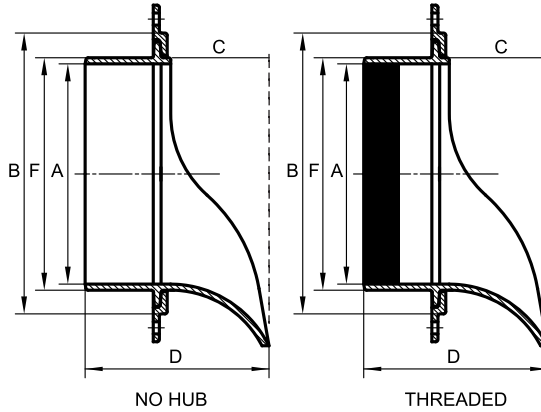
LIST PRICE

| Pipe Size (In.) | Approx. Wt. Lbs. | Dome Open Area Sq. In. | Aluminum Dome |
|-----------------|------------------|------------------------|---------------|
| 2 - 3 - 4 | 16 | 38.9 | \$1,454.00 |

ROOF DRAINS

RD4500

DOWNSPOUT NOZZLE



Engineering Specification:

SUN® RD4500 Downspout Nozzle, all nickel bronze body, optional threaded or no hub outlet with anchor flange and outlet nozzle.

OUTLETS (Specify pipe size in inches and type of outlet)

| Outlet Type | Outlet Desig. Pipe Size/ Outlet Type | ADD |
|--------------|--------------------------------------|-----|
| No Hub..... | 3NH, 4NH, 6NH, 8NH | N/C |
| Threaded.... | 3TH, 4TH, 6TH, 8TH | N/C |

SUFFIXES

| SUFFIXES | ADD |
|--------------------------------|----------|
| -BS Stainless Steel Birdscreen | \$435.00 |

⚠ WARNING: Cancer and Reproductive Harm - www.P65Warnings.ca.gov.

⚠ ADVERTENCIA: Cáncer y daño a la reproducción - www.P65Warnings.ca.gov.

⚠ AVERTISSEMENT: Cancer et effets su la Reproductive - www.P65Warnings.ca.gov.

LIST PRICE

| Pipe Size A | Dimension in Inches | | | | | Approx. Wt. Lbs. | Nickel Bronze |
|----------------|---------------------|-------|-------|-------|-------|---------------------|------------------|
| | B | C | D | F | | | |
| | | | | NH | TH | | |
| 3" | 6" | 2.75" | 5.50" | 2.96" | 3.88" | 4 | \$852.00 |
| 4" | 7" | 2.75" | 5.50" | 3.94" | 4.88" | 5 | \$852.00 |
| 6" | 9" | 3.00" | 5.75" | 5.94" | 6.88" | 7 | \$1,531.00 |
| 8" | 11" | 3.00" | 5.75" | 7.94" | 8.88" | 10 | \$2,095.00 |

ROOF DRAINS

RD4600

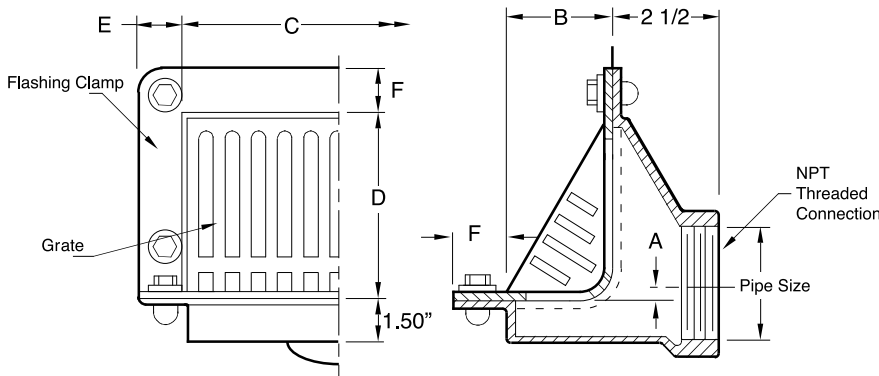
ROOF SCUPPER DRAIN



Engineering Specification:

SUN® RD4600 Coated Cast Iron Body with Reversible Back or Bottom Threaded Outlet, Aluminum Flashing Clamp and Vandal Resistant Angle Grate.

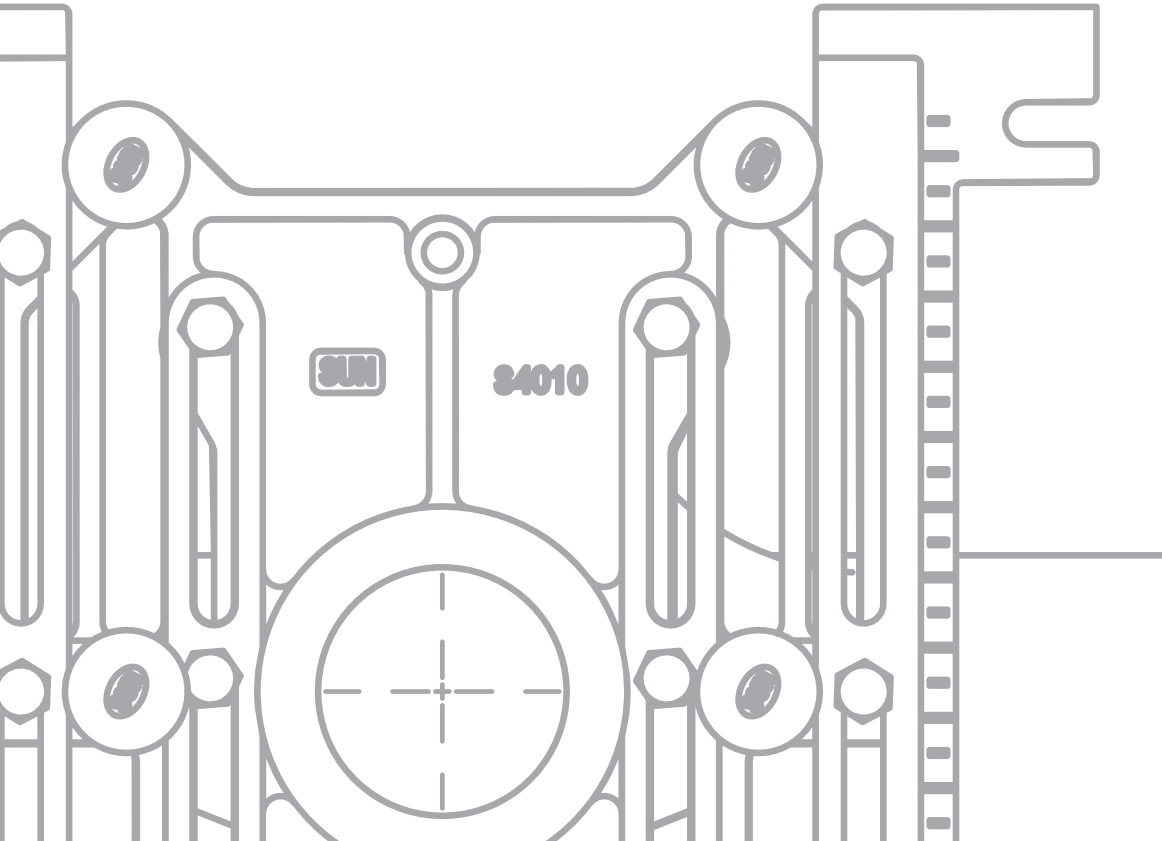
| SUFFIXES | ADD |
|--|----------|
| -FG 2" - 4" Aluminum Vandal Resistant Flush Gate | \$36.00 |
| 6" - 8" Aluminum Vandal Resistant Flush Gate | \$47.00 |
| -G 2"- 4" Galvanized Cast Iron | \$191.00 |
| 6"- 8" Galvanized Cast Iron | \$377.00 |
| -SSM Stainless Steel Mesh Aluminum Grate | \$419.00 |



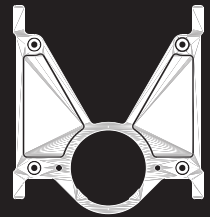
⚠ WARNING: Cancer and Reproductive Harm - www.P65Warnings.ca.gov.
 ⚠ ADVERTENCIA: Cáncer y daño a la reproducción - www.P65Warnings.ca.gov.
 ⚠ AVERTISSEMENT: Cancer et effets su la Reproductive - www.P65Warnings.ca.gov.

| Dimension in Inches | | | | | | |
|---------------------|-------|-------|--------|-------|-------|-------|
| Pipe Size | A | B | C | D | E | F |
| 2" | 1.50" | 5.75" | 6" | 5.75" | 0.88" | 1" |
| 3" | 1" | 5.75" | 6" | 5.75" | 0.88" | 1" |
| 4" | 0.50" | 5.75" | 6" | 5.75" | 0.88" | 1" |
| 6" | 0.88" | 8.13" | 10.13" | 8.13" | 1.25" | 1.25" |
| 8" | 1.88" | 8.13" | 10.13" | 8.13" | 1.25" | 1.25" |

| OUTLET (Specify pipe size and type outlet) | | | | | |
|--|------------------|-----------------|-------|--|------------|
| Outlet Type | Approx. Wt. Lbs. | Grate Open Area | | Outlet Designation Pipe Size / Outlet Size | List Price |
| | | Angle | Flush | | |
| TH | 14 | 30 | 30 | 2TH, 3TH, 4TH | \$487.00 |
| TH | 37 | 58 | 71 | 6TH, 8TH | \$947.00 |



CARRIERS



SUN® Drainage Carriers comply with A112.6.1M-97

CARRIERS

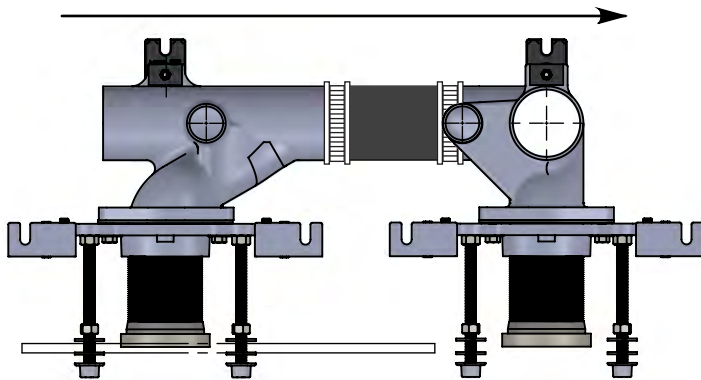
APPLICATION

| | TYPE | RECOMMENDED CARRIER |
|---|-----------------------|--|
| Commercial Construction Off -the -Floor Closet | NH 500LB. Rating | WC5500, WC5600 |
| | NH 750LB. Rating | WC5500-XH, WC5600-XH |
| | NH 1,000LB. Rating | WC5500-XB, WC5600-XB |
| | IC 500LB. Rating | WC5700, WC5800 |
| | IC 750LB. Rating | WC5700-XH, WC5800-XH |
| | IC 1,000LB. Rating | WC5700-XB, WC5800-XB |
| Wall Hung Lavatories | Concealed Arm | LC5000, LC5010 |
| | Plate Type | SC5020, SC5030, SC5040 |
| Wall Hung Urinals | | SC5020-UR, SC5030-UR |
| Drinking Fountains/Water Coolers | | SC5020-DF, SC5020-DFBL SC5030-DF, SC5030-DFBL |

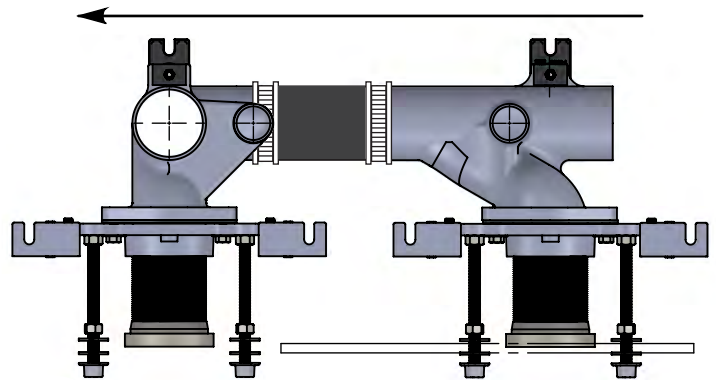
RIGHT OR LEFT HAND CLOSET CARRIER FITTINGS

The flow direction of a closet carrier fitting is determined by facing the bowl. If the flow is from the right, a right-hand fitting is required. If the flow is from the left, a left-hand fitting is required.

Flow from the left = Left Hand Carrier



Flow from the right = Right Hand Carrier



HOW TO BUILD PART NUMBER

FIXTURE CARRIERS

EX. LC 5000 -05
Category (Concealed Arm) ———— Arm Length (5, 6, 7)

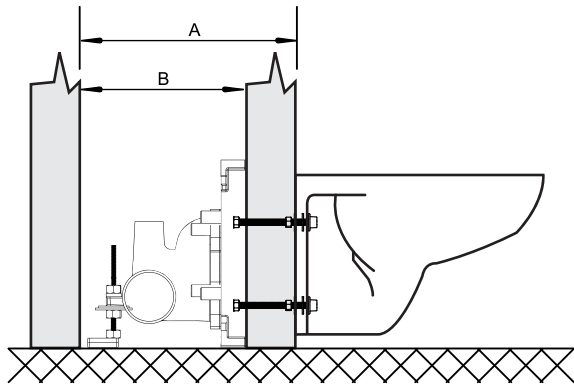
EX. SC 5020 -UR
Category (Plate Type) ———— Type of Fixture (UR, DF, DFBL)

CARRIERS

MINIMUM SPACE REQUIREMENTS

WC5500 SERIES

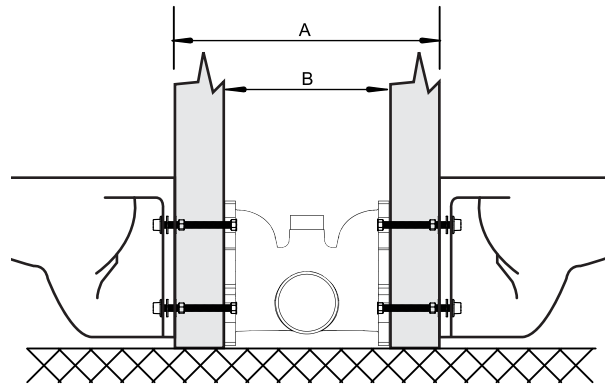
Single Horizontal Adjustable Carrier Fittings



| SINGLES | | |
|-------------|--------|--------|
| Product No. | A | B |
| WC5500 | 13.16" | 11.30" |

WC5500-D SERIES

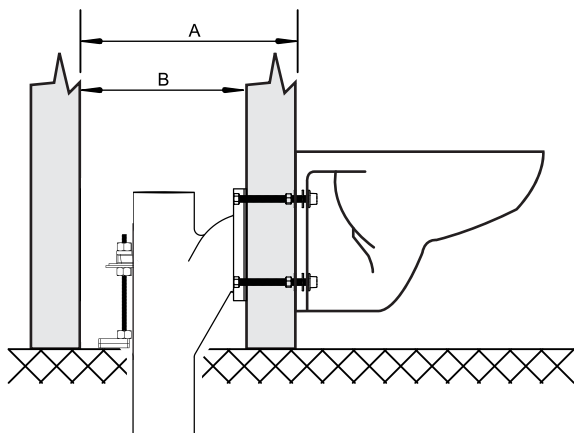
Double Horizontal Adjustable Carrier Fittings



| DOUBLES | | |
|-------------|--------|--------|
| Product No. | A | B |
| WC5500-D | 16.95" | 13.20" |

WC5600 SERIES

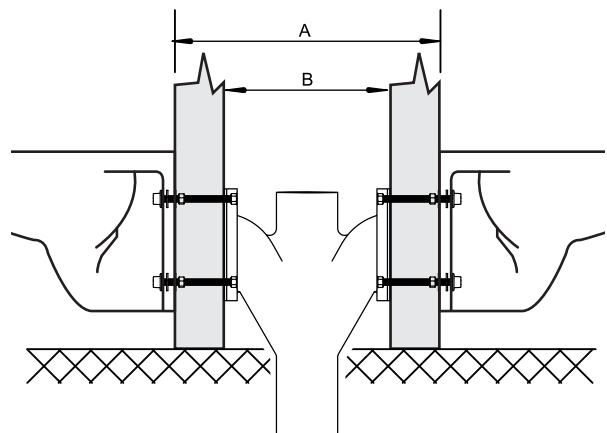
Single Vertical Adjustable Carrier Fittings



| SINGLES | | |
|-------------|--------|--------|
| Product No. | A | B |
| WC5600 | 13.16" | 11.30" |

WC5600-D SERIES

Double Vertical Adjustable Carrier Fittings

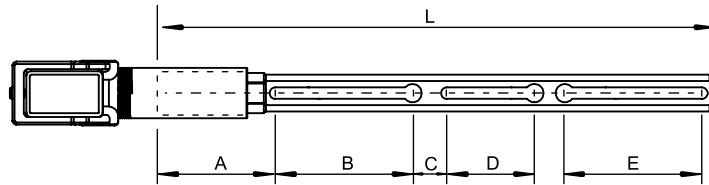


| DOUBLES | | |
|-------------|--------|--------|
| Product No. | A | B |
| WC5600-D | 16.95" | 13.20" |

CARRIERS

CONCEALED ARM DIMENSIONS

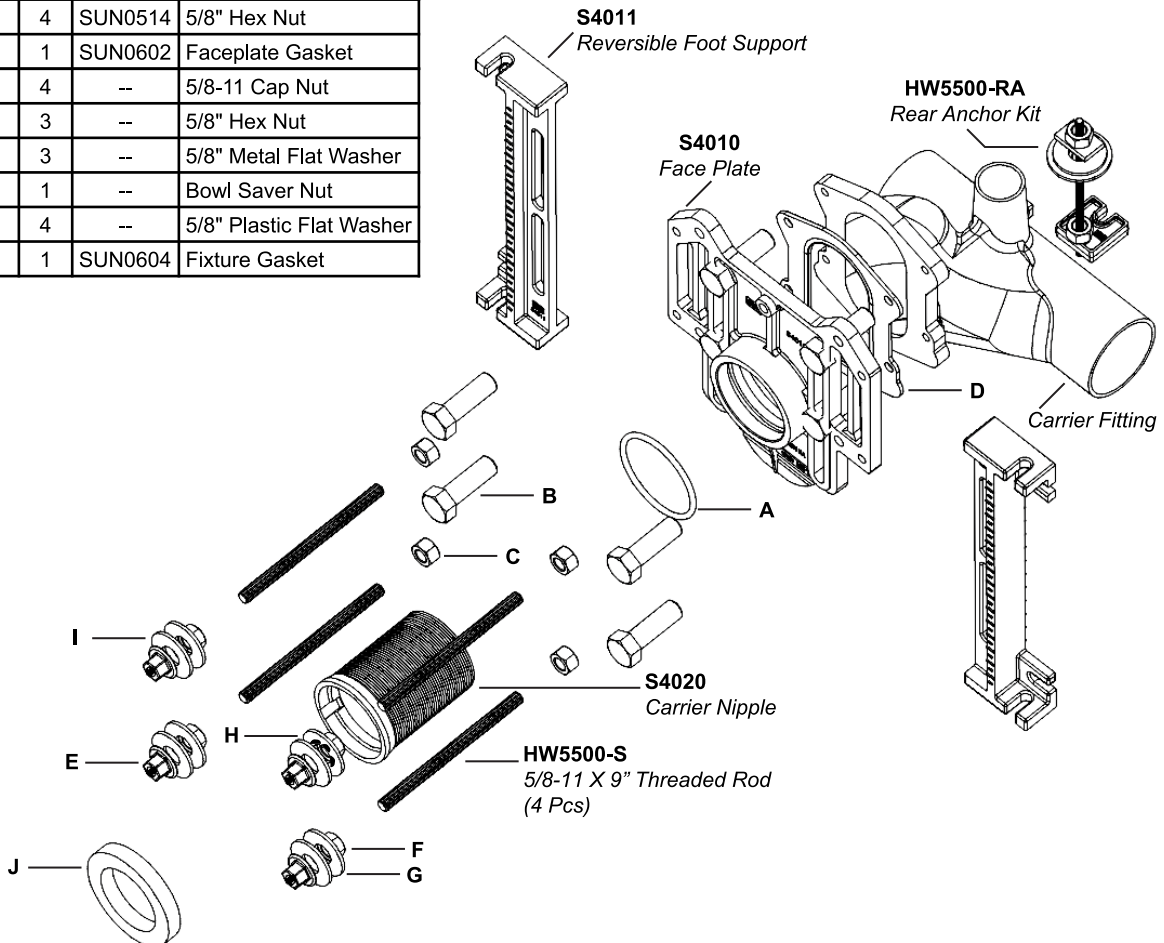
Carriers: LC5000, LC5010



| Suffix | L | A | B | C | D | E |
|--------|--------|-------|-------|-------|-------|-------|
| -05 | 15.75" | 3.25" | 3.25" | 1.00" | 3.13" | 3.88" |
| -06 | 18.50" | 4.00" | 4.50" | 1.13" | 2.88" | 4.50" |
| -07 | 22.25" | 4.00" | 4.50" | 1.13" | 5.38" | 5.50" |

CARRIER PARTS

| Sales Kit | Desig. | Qty. | Part No. | Description |
|---------------------------------|--------|------|----------|--------------------------|
| HW5500-R Rough In HDW Bag | A | 1 | SUN0603 | O-Ring |
| | B | 4 | SUN0516 | 1/2-13x1-1/2" Bolt |
| | C | 4 | SUN0514 | 5/8" Hex Nut |
| | D | 1 | SUN0602 | Faceplate Gasket |
| HW5500-F Finish HDW Bag | E | 4 | -- | 5/8-11 Cap Nut |
| | F | 3 | -- | 5/8" Hex Nut |
| | G | 3 | -- | 5/8" Metal Flat Washer |
| | H | 1 | -- | Bowl Saver Nut |
| | I | 4 | -- | 5/8" Plastic Flat Washer |
| | J | 1 | SUN0604 | Fixture Gasket |



CARRIERS

LC5000

CONCEALED ARM LAVATORY CARRIER



Engineering Specification:

SUN® LC5000 lavatory carrier complete with coated rectangular steel uprights with welded feet, cast iron adjustable header couplings, steel sleeves, concealed arms, a truss rod, and mounting hardware.

| Product No. | Approx. Wt. Lbs. | List Price |
|-------------|------------------|------------|
| LC5000 | 26 | \$992.00 |

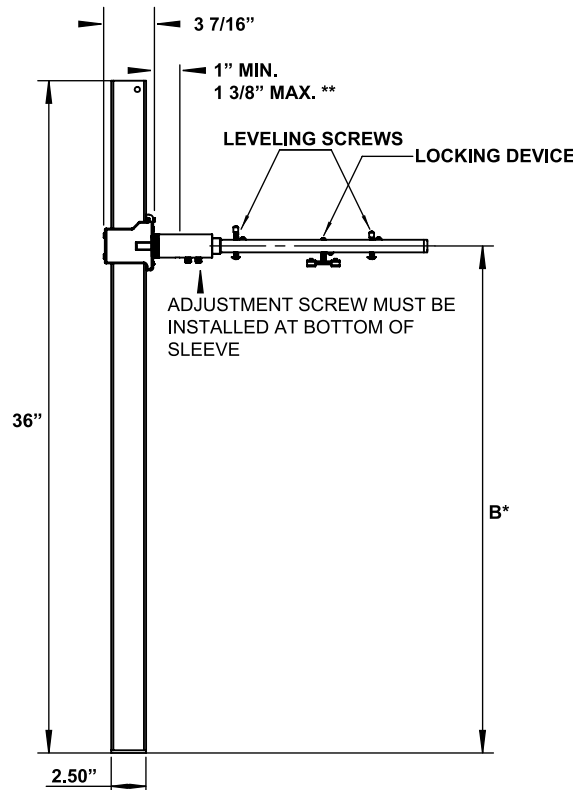
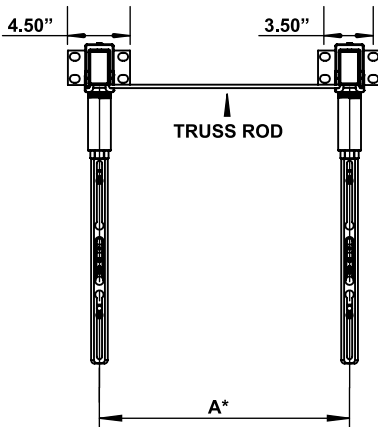
NOTE: 1. List Price includes Arms
Arm Suffixes: 05, 06, 07. Refer to page 63 for details.
2. For back to back applications specify LC5000-B.

| SUFFIXES | ADD |
|-------------------------|----------|
| -B Back To Back Carrier | \$415.00 |

⚠ WARNING: Cancer and Reproductive Harm - www.P65Warnings.ca.gov.

⚠ ADVERTENCIA: Cáncer y daño a la reproducción - www.P65Warnings.ca.gov.

⚠ AVERTISSEMENT: Cancer et effets su la Reproductive - www.P65Warnings.ca.gov.



* Variable Dimension. Depends on the fixture

** Width Standard Sleeve Length of 4"

(Request submittal for specific lavatory dimensions)

CARRIERS

LC5010

ADJUSTABLE CONCEALED ARM LAVATORY CARRIER



Engineering Specification:

SUN® LC5010 adjustable lavatory carrier complete with coated rectangular steel uprights with welded feet, cast iron adjustable header couplings, steel sleeves, concealed arms and hardware.

| Product No. | Approx. Wt. Lbs. | List Price |
|-------------|------------------|------------|
| LC5010 | 25 | \$1,455.00 |

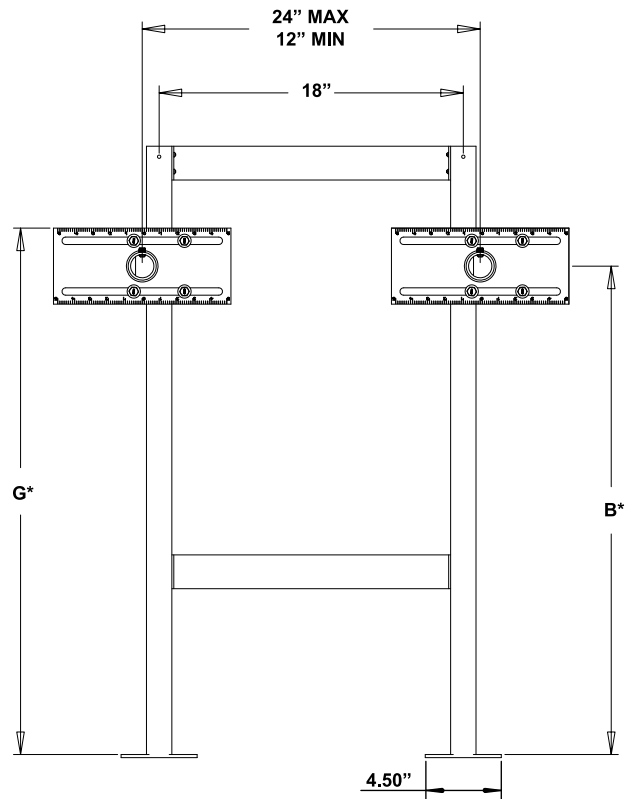
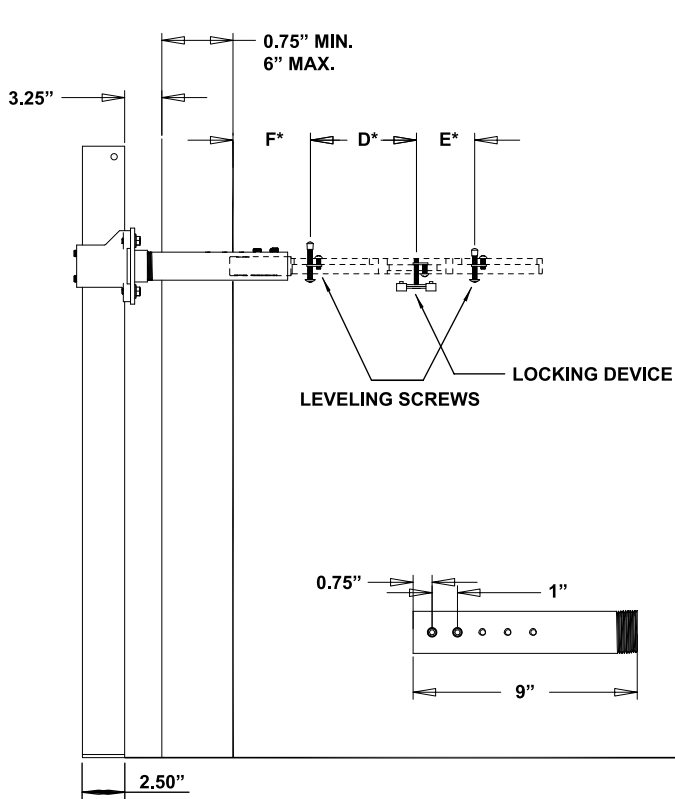
NOTE: 1. List Price includes Arms
Arm Suffixes: 05, 06, 07. Refer to page 63 for details.
2. For back to back applications specify LC5010-B.

| SUFFIXES | ADD |
|-------------------------|----------|
| -B Back To Back Carrier | \$701.00 |

⚠ WARNING: Cancer and Reproductive Harm - www.P65Warnings.ca.gov.

⚠ ADVERTENCIA: Cáncer y daño a la reproducción - www.P65Warnings.ca.gov.

⚠ AVERTISSEMENT: Cancer et effets su la Reproductive - www.P65Warnings.ca.gov.



* Variable Dimension. Depends on the fixture (Request submittal for specific lavatory dimensions)

CARRIERS

SC5020

PLATE TYPE CARRIER

Engineering Specification:

SUN® SC5020 universal plate type carrier with adjustable top support plate. Complete with coated rectangular steel uprights with welded feet and mounting hardware.

PRODUCT DESCRIPTION

| | |
|-------------|------------------------------------|
| SC5020 | Lavatory Carrier |
| SC5020-DF | Drinking Fountain Carrier |
| SC5020-DFBL | Bi-Level Drinking Fountain Carrier |
| SC5020-UR | Urinal Carrier |

| Product No. | Approx. Wt. Lbs. | List Price |
|-------------|------------------|------------|
| SC5020 | 27 | \$750.00 |
| SC5020-DF | 27 | \$750.00 |
| SC5020-DFBL | 40 | \$1,138.00 |
| SC5020-UR | 27 | \$750.00 |

For back to back applications specify SC5020-B.

SUFFIXES

| SUFFIXES | ADD |
|-------------------------|----------|
| -B Back To Back Carrier | \$242.00 |

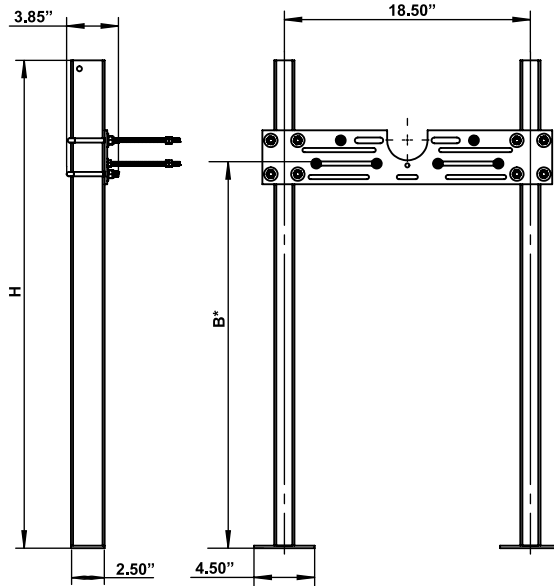
⚠ WARNING: Cancer and Reproductive Harm - www.P65Warnings.ca.gov.

⚠ ADVERTENCIA: Cáncer y daño a la reproducción - www.P65Warnings.ca.gov.

⚠ AVERTISSEMENT: Cancer et effets su la Reproductive - www.P65Warnings.ca.gov.



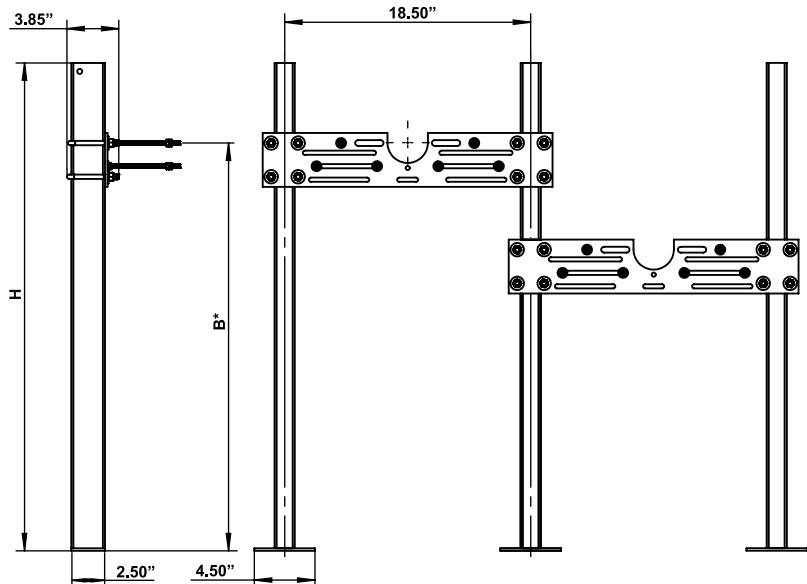
SC5020 SHOWN



* Variable Dimension. Depends on the fixture
(Request submittal for specific lavatory dimensions)



SC5020-DFBL SHOWN



CARRIERS

SC5030

DOUBLE PLATE TYPE CARRIER

Engineering Specification:

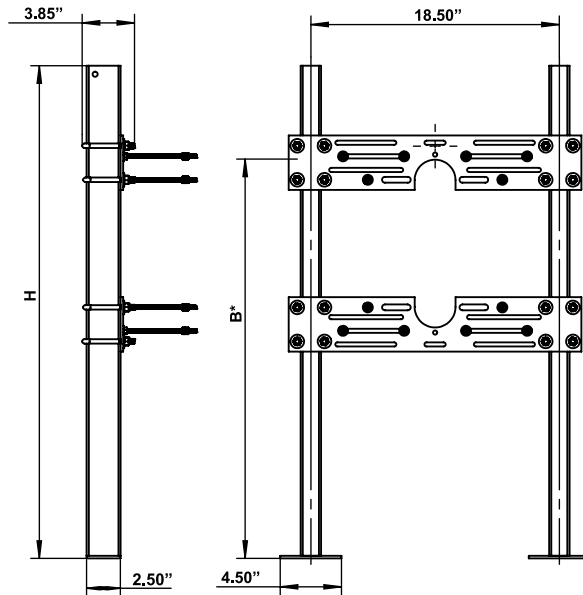
SUN® SC5030 universal plate type carrier with adjustable top support plate and lower bearing plate. Complete with coated rectangular steel uprights with welded feet and mounting hardware.

PRODUCT DESCRIPTION

| | |
|-------------|------------------------------------|
| SC5030 | Lavatory Carrier |
| SC5030-DF | Drinking Fountain Carrier |
| SC5030-DFBL | Bi-Level Drinking Fountain Carrier |
| SC5030-UR | Urinal Carrier |



SC5030
SHOWN



* Variable Dimension. Depends on the fixture
(Request submittal for specific lavatory dimensions)

| Product No. | Approx. Wt. Lbs. | List Price |
|-------------|------------------|------------|
| SC5030 | 32 | \$838.00 |
| SC5030-DF | 32 | \$838.00 |
| SC5030-DFBL | 48 | \$1,226.00 |
| SC5030-UR | 32 | \$838.00 |

For back to back applications specify SC5030-B.

SUFFIXES ADD

-B Back To Back Carrier **\$388.00**

⚠ WARNING: Cancer and Reproductive Harm - www.P65Warnings.ca.gov.

⚠ ADVERTENCIA: Cáncer y daño a la reproducción - www.P65Warnings.ca.gov.

⚠ AVERTISSEMENT: Cancer et effets sur la Reproductive - www.P65Warnings.ca.gov.

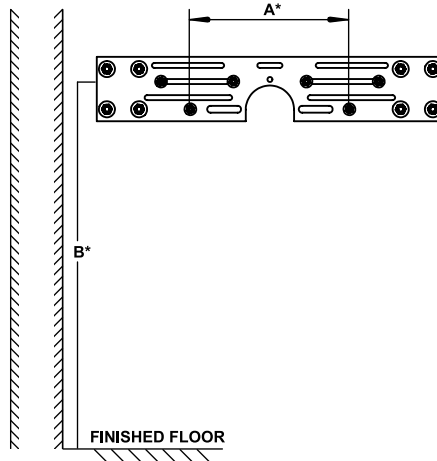


SC5030-DFBL
SHOWN

CARRIERS

SC5040

PLATE TYPE CARRIER - WALL SUPPORTED



* Variable Dimension. Depends on the fixture

Engineering Specification:

SUN® SC5040 Plate type carrier complete with coated steel plate(s) and mounting hardware.

PRODUCT DESCRIPTION

| | |
|-----------|-----------------------------------|
| SC5040 | Plate with Hardware |
| SC5040-DP | Back-To-Back Plates with Hardware |

| Product No. | Approx. Wt. Lbs. | List Price |
|-------------|------------------|------------|
| SC5040 | 4 | \$208.00 |
| SC5040-DP | 8 | \$416.00 |

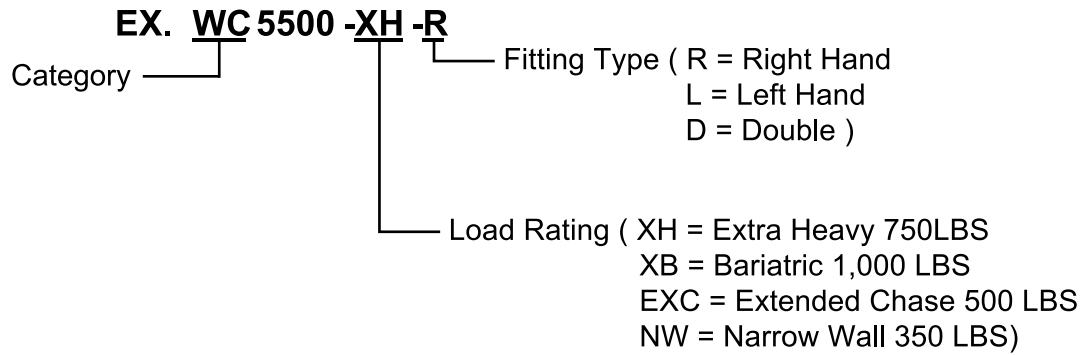
⚠ WARNING: Cancer and Reproductive Harm - www.P65Warnings.ca.gov.

⚠ ADVERTENCIA: Cáncer y daño a la reproducción - www.P65Warnings.ca.gov.

⚠ AVERTISSEMENT: Cancer et effets sur la Reproductive - www.P65Warnings.ca.gov.

HOW TO BUILD PART NUMBER

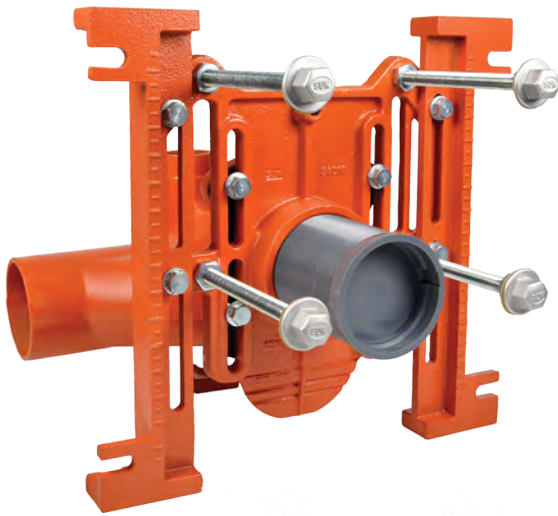
CLOSET CARRIERS



CARRIERS

WC5500

ADJUSTABLE HORIZONTAL WATER CLOSET CARRIER



Engineering Specification:

SUN® WC5500 Adjustable, horizontal water closet carrier with 4" no hub connections, rated for 500 lb. maximum static load. Complete with coated cast iron right-hand, left-hand or double main fitting with 2" vent, adjustable faceplate with gasket, floor mounted foot supports, adjustable ABS coupling with integral test cap, fixture bolts, trim, stud protectors, rear anchor tie-down (-R and -L only), and neoprene fixture gasket.

PRODUCT DESCRIPTION

| | |
|----------|---|
| WC5500-R | 4" No Hub Single Right-Hand Carrier |
| WC5500-L | 4" No-Hub Single Left-Hand Carrier |
| WC5500-D | 4" No Hub Back-to-Back Carrier (Double) |

SUFFIXES

-12 12" Coupling

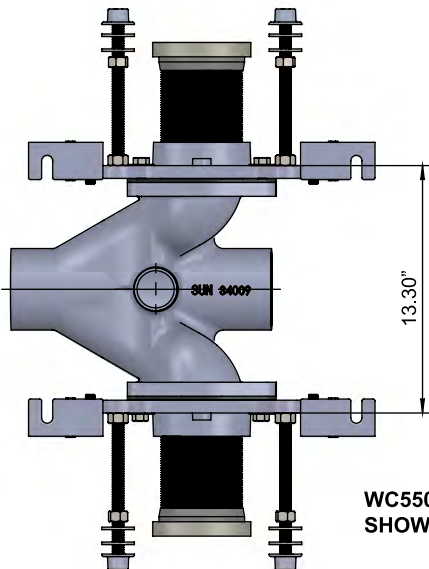
ADD

N/C

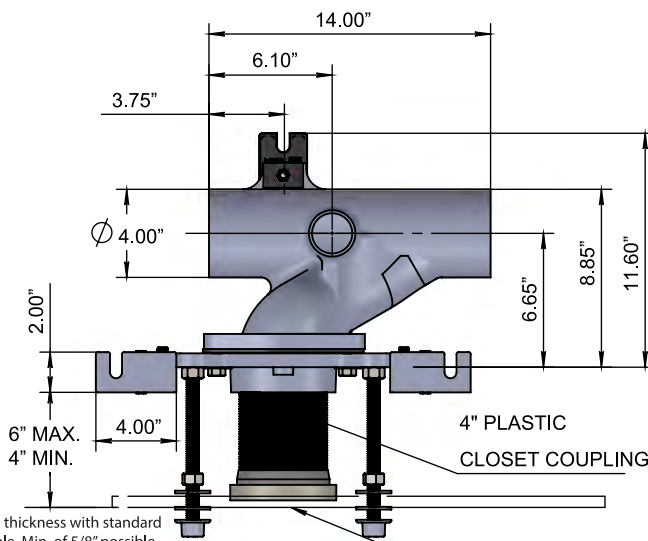
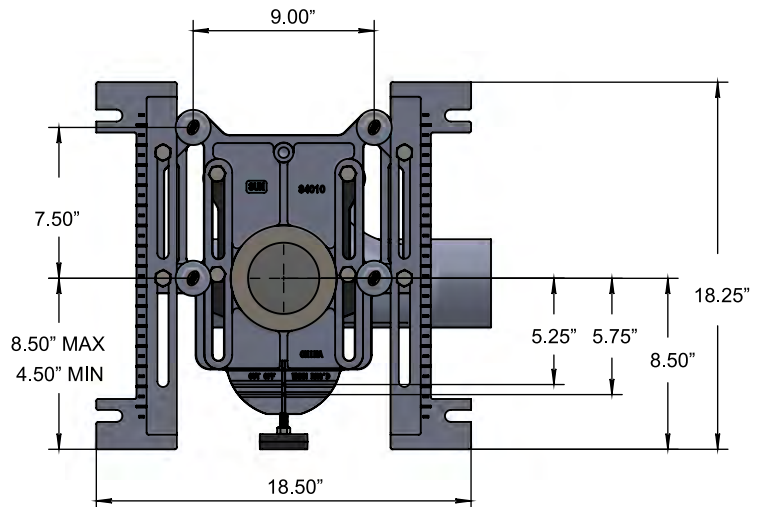
⚠ WARNING: Cancer and Reproductive Harm - www.P65Warnings.ca.gov.

⚠ ADVERTENCIA: Cáncer y daño a la reproducción - www.P65Warnings.ca.gov.

⚠ AVERTISSEMENT: Cancer et effets su la Reproductive - www.P65Warnings.ca.gov.



WC5500-D
SHOWN



WC5500-L
SHOWN

Wall thickness with standard nipple. Min. of 5/8" possible with shortened nipple.

FINISHED WALL

LIST PRICE

| Product No. | Approx. Wt. Lbs. | Single | Double |
|-------------|------------------|------------|------------|
| WC5500-R | 63 | \$1,584.00 | |
| WC5500-L | 63 | \$1,584.00 | |
| WC5500-D | 113 | | \$2,965.00 |

CARRIERS

WC5500-XH

EXTRA HEAVY 750 LBS. ADJUSTABLE HORIZONTAL WATER CLOSET CARRIER



Engineering Specification:

SUN® WC5500-XH Adjustable, horizontal water closet carrier with 4" no hub connections, rated for 750 lb. maximum static load. Complete with coated cast iron right-hand, left-hand or double main fitting with 2" vent, adjustable faceplate with gasket, floor mounted foot supports, adjustable ABS coupling with integral test cap, fixture bolts, trim, stud protectors, heavy duty anchor bar (-R and -L only), and neoprene fixture gasket.

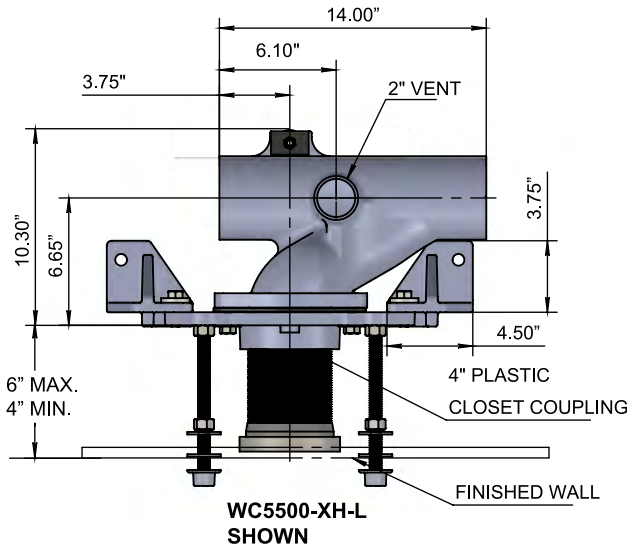
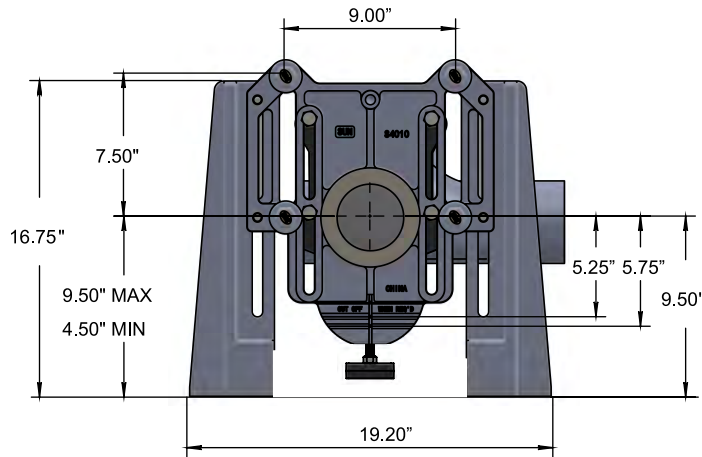
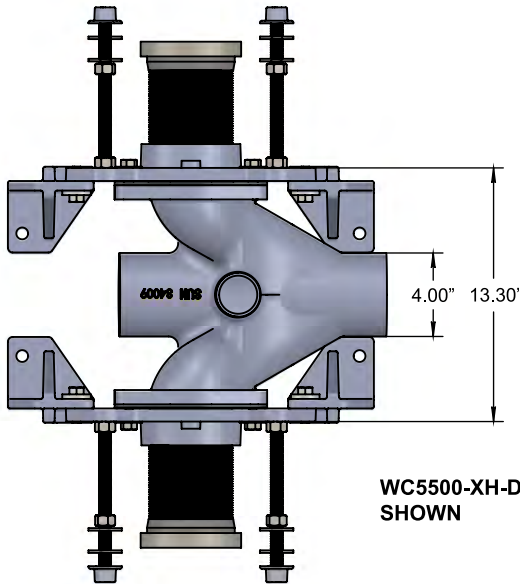
PRODUCT DESCRIPTION

| | |
|-------------|---|
| WC5500-XH-R | 4" No Hub Single Right-Hand Carrier |
| WC5500-XH-L | 4" No-Hub Single Left-Hand Carrier |
| WC5500-XH-D | 4" No Hub Back-to-Back Carrier (Double) |

SUFFIXES

| | | | |
|-----|--------------|-----|-----|
| -12 | 12" Coupling | ADD | N/C |
|-----|--------------|-----|-----|

- ⚠ WARNING: Cancer and Reproductive Harm - www.P65Warnings.ca.gov.
- ⚠ ADVERTENCIA: Cáncer y daño a la reproducción - www.P65Warnings.ca.gov.
- ⚠ AVERTISSEMENT: Cancer et effets sur la Reproductive - www.P65Warnings.ca.gov.



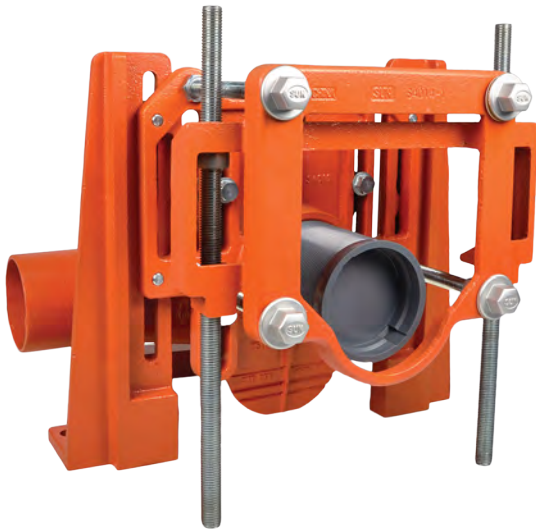
LIST PRICE

| Product No. | Approx. Wt. Lbs. | Single | Double |
|-------------|------------------|------------|------------|
| WC5500-XH-R | 74 | \$3,276.00 | |
| WC5500-XH-L | 74 | \$3,276.00 | |
| WC5500-XH-D | 137 | | \$6,325.00 |

CARRIERS

WC5500-XB

BARIATRIC 1000 LBS. ADJUSTABLE HORIZONTAL WATER CLOSET CARRIER



Engineering Specification:

SUN® WC5500-XB Adjustable, horizontal water closet carrier with 4" no hub connections, rated for 1000 lb. maximum static load. Complete with coated cast iron right-hand, left-hand or double main fitting with 2" vent, adjustable faceplate with gasket, floor mounted foot supports, stud support with finishing frame, adjustable ABS coupling with integral test cap, fixture bolts, trim, stud protectors, heavy duty anchor bar (-R and -L only), and neoprene fixture gasket.

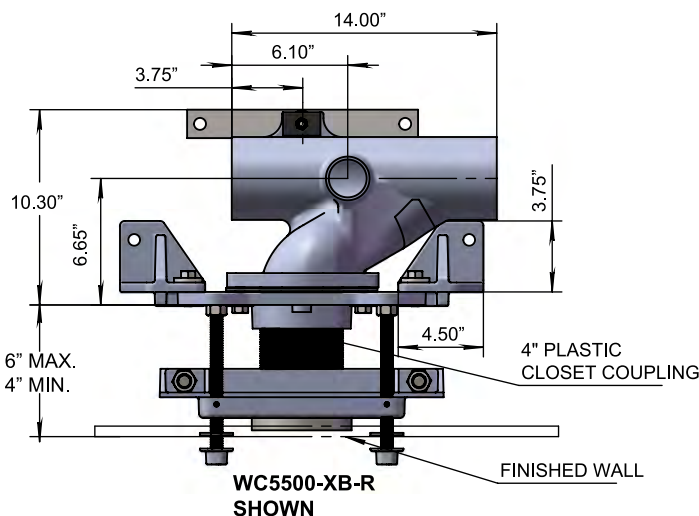
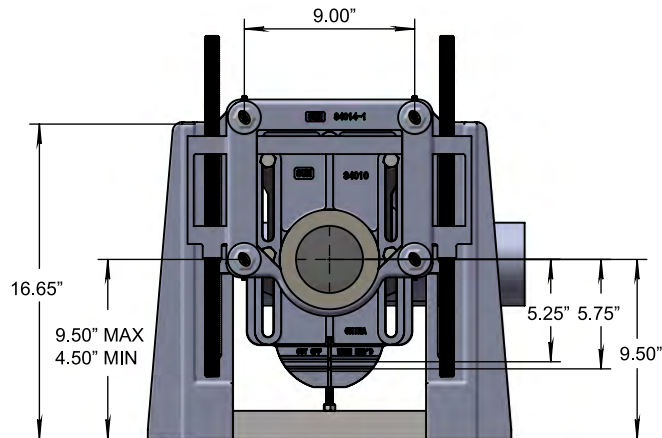
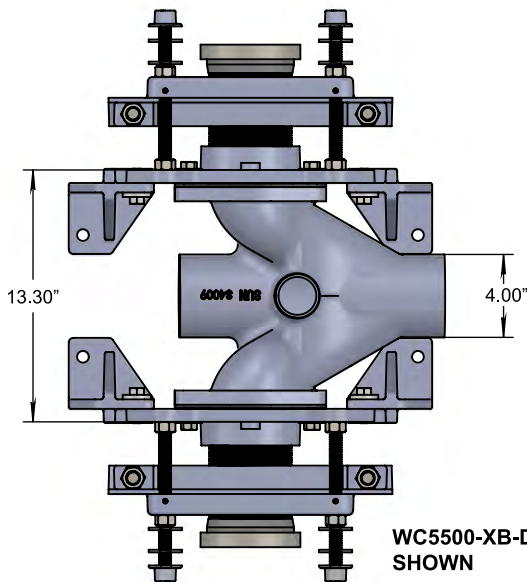
PRODUCT DESCRIPTION

| | |
|-------------|---|
| WC5500-XB-R | 4" No Hub Single Right-Hand Carrier |
| WC5500-XB-L | 4" No-Hub Single Left-Hand Carrier |
| WC5500-XB-D | 4" No Hub Back-to-Back Carrier (Double) |

SUFFIXES

| | | | |
|-----|--------------|-----|-----|
| -12 | 12" Coupling | ADD | N/C |
|-----|--------------|-----|-----|

- ⚠ WARNING: Cancer and Reproductive Harm - www.P65Warnings.ca.gov.
- ⚠ ADVERTENCIA: Cáncer y daño a la reproducción - www.P65Warnings.ca.gov.
- ⚠ AVERTISSEMENT: Cancer et effets sur la Reproductive - www.P65Warnings.ca.gov.



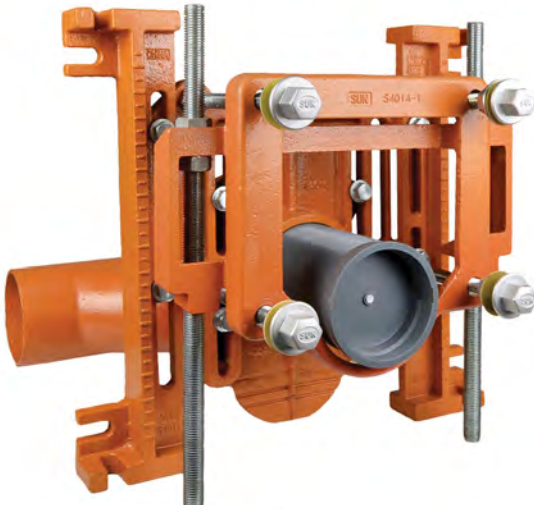
LIST PRICE

| Product No. | Approx. Wt. Lbs. | Single | Double |
|-------------|------------------|------------|------------|
| WC5500-XB-R | 89 | \$4,637.00 | |
| WC5500-XB-L | 89 | \$4,637.00 | |
| WC5500-XB-D | 167 | | \$8,947.00 |

CARRIERS

WC5500-EXC

WIDE CHASE ADJUSTABLE HORIZONTAL WATER CLOSET CARRIER



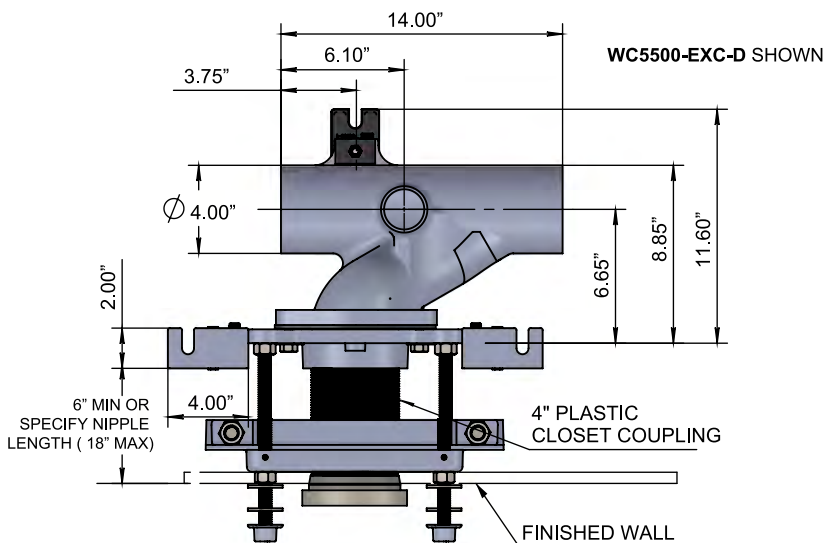
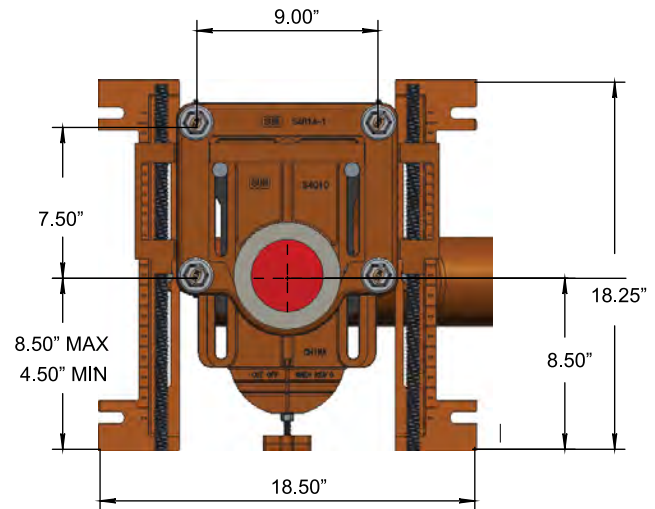
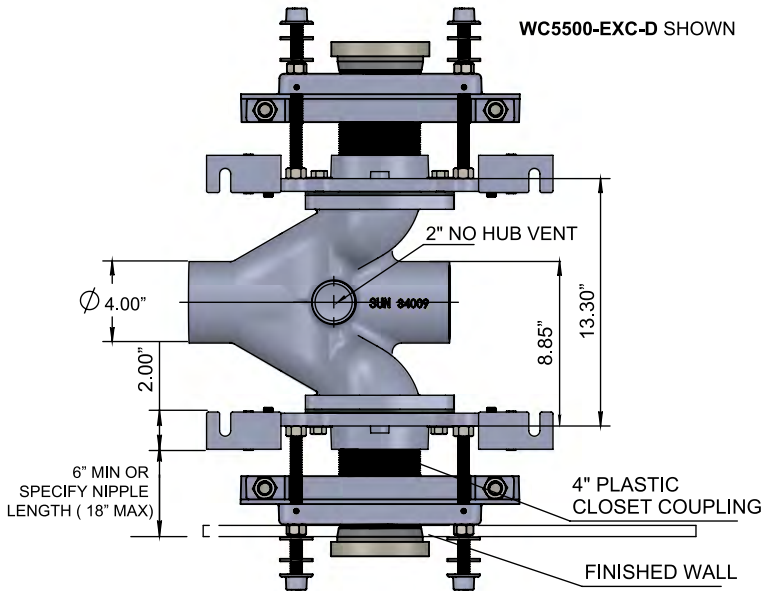
Engineering Specification:

SUN® WC55000-EXC Adjustable, wide chase horizontal water closet carrier with 4" no hub connections, rated for 500 lb. maximum static load. Complete with coated cast iron right-hand, left-hand and double horizontal fitting with 2" vent, adjustable faceplate with gasket, floor mounted foot supports, extended stud support frame, adjustable ABS coupling with integral test cap, fixture support, stud protectors, heavy duty anchor tie-down (-R and -L only), neoprene fixture gasket.

PRODUCT DESCRIPTION

| | |
|--------------|---|
| WC5500-EXC-R | 4" No Hub Single Right-Hand Carrier |
| WC5500-EXC-L | 4" No-Hub Single Left-Hand Carrier |
| WC5500-EXC-D | 4" No Hub Back-to-Back Carrier (Double) |

- ⚠ WARNING: Cancer and Reproductive Harm - www.P65Warnings.ca.gov.
- ⚠ ADVERTENCIA: Cáncer y daño a la reproducción - www.P65Warnings.ca.gov.
- ⚠ AVERTISSEMENT: Cancer et effets su la Reproductive - www.P65Warnings.ca.gov.



LIST PRICE

| Product No. | Approx. Wt. Lbs. | Single | Double |
|--------------|------------------|------------|------------|
| WC5500-EXC-R | 89 | \$2,153.00 | |
| WC5500-EXC-L | 89 | \$2,153.00 | |
| WC5500-EXC-D | 167 | | \$4,074.00 |

CARRIERS

WC5500-NW NARROW WALL CHASE ADJ. HORIZONTAL WATER CLOSET CARRIER



Engineering Specification:

SUN® WC5500-NW Narrow wall chase, adjustable, horizontal water closet carrier with 4" no hub connections, rated for 350 lb. maximum static load. Complete with coated cast iron right-hand or left-hand horizontal fitting with 2" vent, adjustable face plate with gasket, floor mounted foot supports, adjustable ABS coupling with integral test cap, fixture bolts, trim, stud protectors and neoprene fixture gasket.

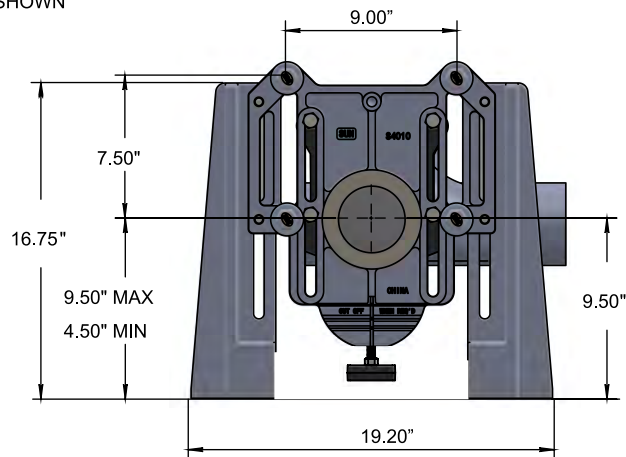
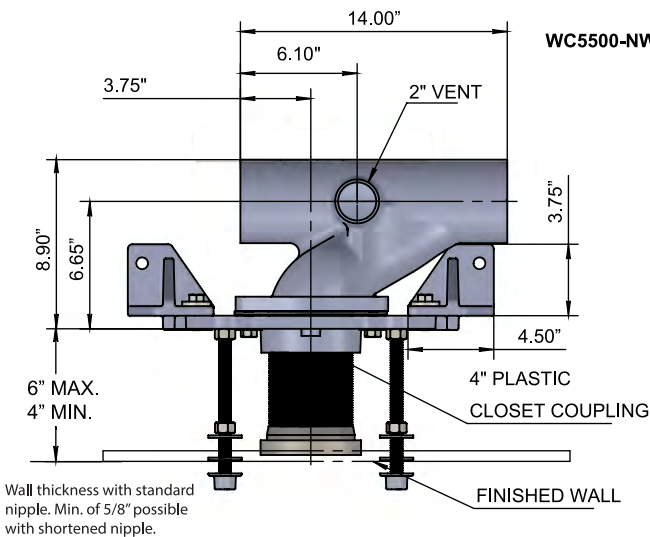
PRODUCT DESCRIPTION

| | |
|-------------|-------------------------------------|
| WC5500-NW-R | 4" No Hub Single Right-Hand Carrier |
| WC5500-NW-L | 4" No-Hub Single Left-Hand Carrier |

SUFFIXES

| | | | |
|------|--------------|-----|-----|
| -C12 | 12" Coupling | ADD | N/C |
|------|--------------|-----|-----|

- ⚠ WARNING: Cancer and Reproductive Harm - www.P65Warnings.ca.gov.
- ⚠ ADVERTENCIA: Cáncer y daño a la reproducción - www.P65Warnings.ca.gov.
- ⚠ AVERTISSEMENT: Cancer et effets su la Reproductive - www.P65Warnings.ca.gov.



LIST PRICE

| Product No. | Approx. Wt. Lbs. | Single |
|-------------|------------------|------------|
| WC5500-NW-R | 63 | \$2,142.00 |
| WC5500-NW-L | 63 | \$2,142.00 |

CARRIERS

WC5600

ADJUSTABLE VERTICAL WATER CLOSET CARRIER



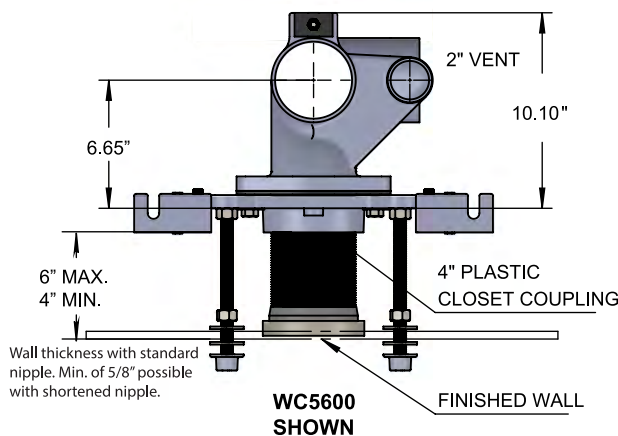
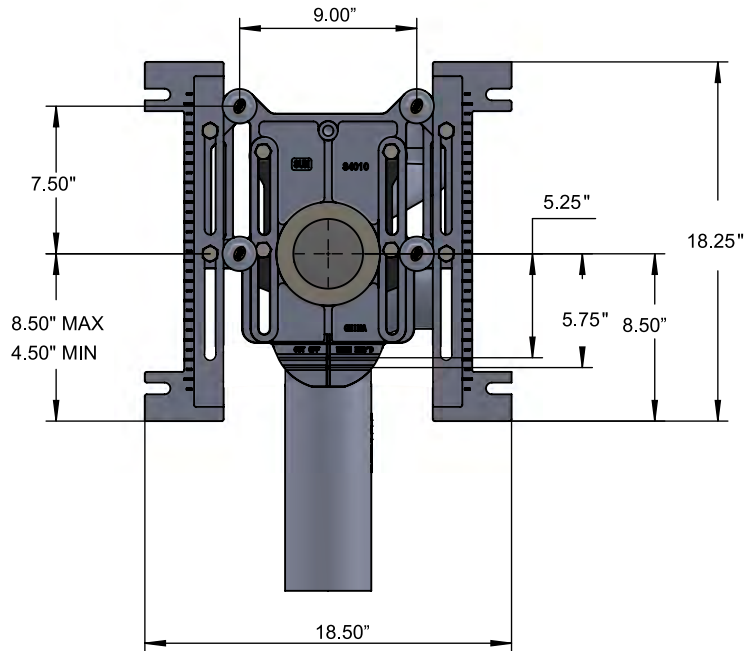
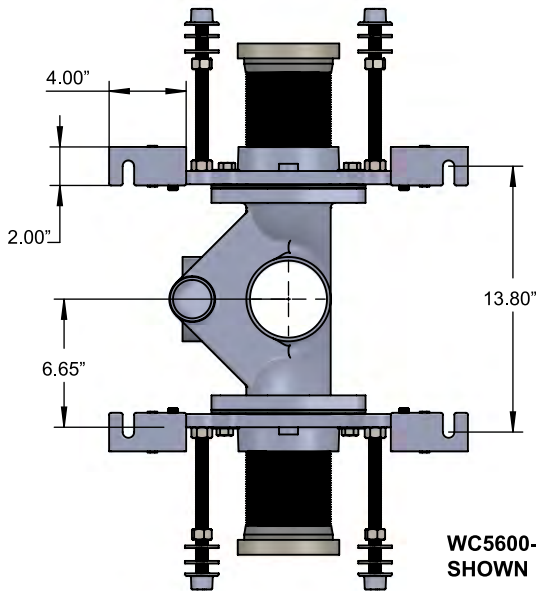
Engineering Specification:

SUN® WC5600 Adjustable, vertical water closet carrier with 4" no hub connections and () side inlets, rated for 500 lb. maximum static load. Complete with coated cast iron right-hand, left-hand or double main fitting with gasket, floor mounted foot supports, adjustable ABS coupling with integral test cap, fixture bolts, trim, stud protectors, rear anchor tie-down (-R and -L only), and neoprene fixture gasket.

| PRODUCT DESCRIPTION | |
|---------------------|--|
| WC5600 | 4" No Hub Single , No Side Inlet |
| WC5600-D | 4" No Hub Back-to-Back, No Side Inlet |
| WC5600-1R | 4" No Hub Single - Right Side Inlet |
| WC5600-1L | 4" No Hub Single - Left Side Inlet |
| WC5600-2 | 4" No Hub Single - Two Side Inlets |
| WC5600-D1 | 4" No Hub Back-to-Back - One Side Inlet |
| WC5600-D2 | 4" No Hub Back-to-Back - Two Side Inlets |

| SUFFIXES | ADD |
|------------------|-----|
| -12 12" Coupling | N/C |

⚠ WARNING: Cancer and Reproductive Harm - www.P65Warnings.ca.gov.
 ⚠ ADVERTENCIA: Cáncer y daño a la reproducción - www.P65Warnings.ca.gov.
 ⚠ AVERTISSEMENT: Cancer et effets su la Reproductive - www.P65Warnings.ca.gov.



| LIST PRICE | | | |
|-------------|------------------|------------|------------|
| Product No. | Approx. Wt. Lbs. | Single | Double |
| WC5600* | 70 | \$1,795.00 | |
| WC5600-D* | 82 | | \$3,175.00 |
| WC5600-1R | 72 | \$2,105.00 | |
| WC5600-1L | 72 | \$2,105.00 | |
| WC5600-2 | 72 | \$2,409.00 | |
| WC5600-D1 | 84 | | \$3,472.00 |
| WC5600-D2 | 84 | | \$3,780.00 |

* To be used as a stand alone carrier. No side inlets.

CARRIERS

WC5600-XH

EXTRA HEAVY 750 LBS. ADJUSTABLE VERTICAL WATER CLOSET CARRIER



Engineering Specification:

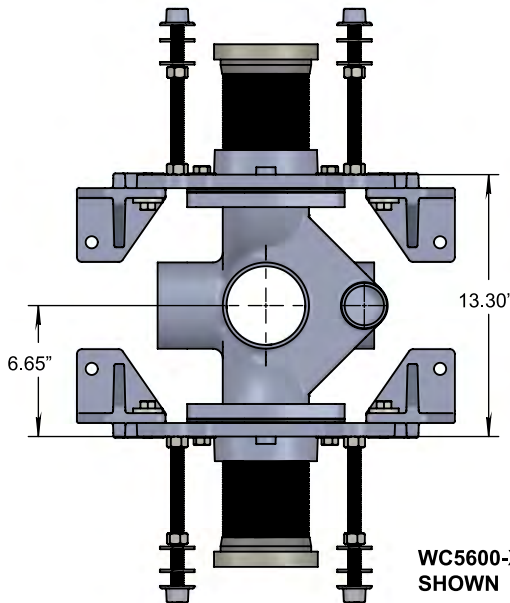
SUN® WC5600-XH Adjustable, vertical water closet carrier with 4" no hub connections and () side inlets, rated for 750 lb. maximum static load. Complete with coated cast iron right-hand, left-hand or double main fitting with 2" vent, adjustable faceplate with gasket, floor mounted foot supports, adjustable ABS coupling with integral test cap, fixture bolts, trim, stud protectors, heavy duty anchor bar (-R and -L only), and neoprene fixture gasket.

| PRODUCT DESCRIPTION | |
|---------------------|--|
| WC5600-XH | 4" No Hub Single , No Side Inlet |
| WC5600-XH-D | 4" No Hub Back-to-Back, No Side Inlet |
| WC5600-XH-1R | 4" No Hub Single - Right Side Inlet |
| WC5600-XH-1L | 4" No Hub Single - Left Side Inlet |
| WC5600-XH-2 | 4" No Hub Single - Two Side Inlets |
| WC5600-XH-D1 | 4" No Hub Back-to-Back - One Side Inlet |
| WC5600-XH-D2 | 4" No Hub Back-to-Back - Two Side Inlets |

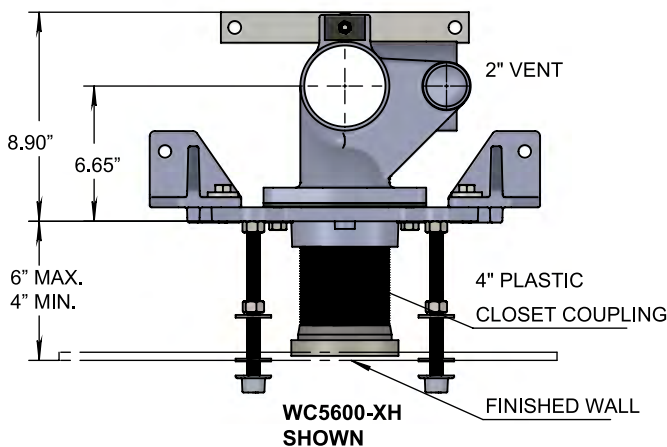
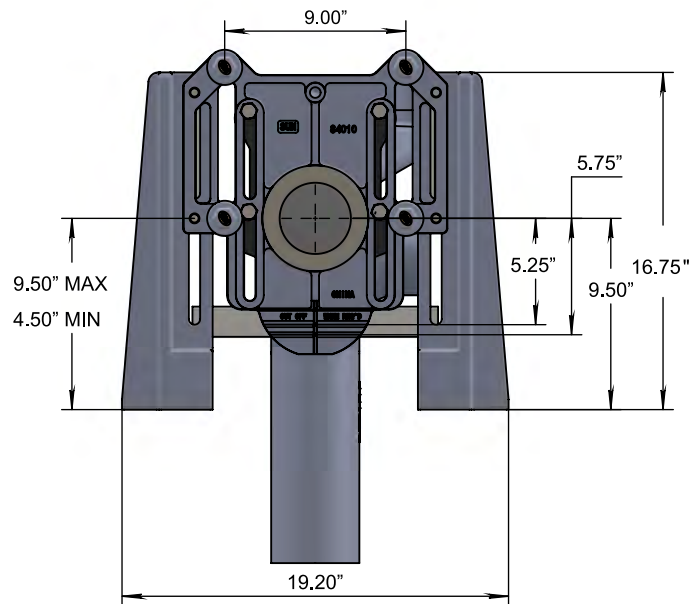
SUFFIXES ADD

| | | |
|-----|--------------|-----|
| -12 | 12" Coupling | N/C |
|-----|--------------|-----|

- ⚠ WARNING: Cancer and Reproductive Harm - www.P65Warnings.ca.gov.
- ⚠ ADVERTENCIA: Cáncer y daño a la reproducción - www.P65Warnings.ca.gov.
- ⚠ AVERTISSEMENT: Cancer et effets su la Reproductive - www.P65Warnings.ca.gov.



WC5600-XH-D
SHOWN



WC5600-XH
SHOWN

LIST PRICE

| Product No. | Approx. Wt. Lbs. | Single | Double |
|--------------|------------------|------------|------------|
| WC5600-XH* | 82 | \$3,758.00 | |
| WC5600-XH-D* | 94 | | \$7,255.00 |
| WC5600-XH-1R | 83 | \$4,077.00 | |
| WC5600-XH-1L | 83 | \$4,077.00 | |
| WC5600-XH-2 | 84 | \$4,390.00 | |
| WC5600-XH-D1 | 147 | | \$7,563.00 |
| WC5600-XH-D2 | 147 | | \$7,873.00 |

* To be used as a stand alone carrier. No side inlets.

CARRIERS

WC5600-XB

BARIATRIC 1000 LBS. ADJUSTABLE VERTICAL WATER CLOSET CARRIER



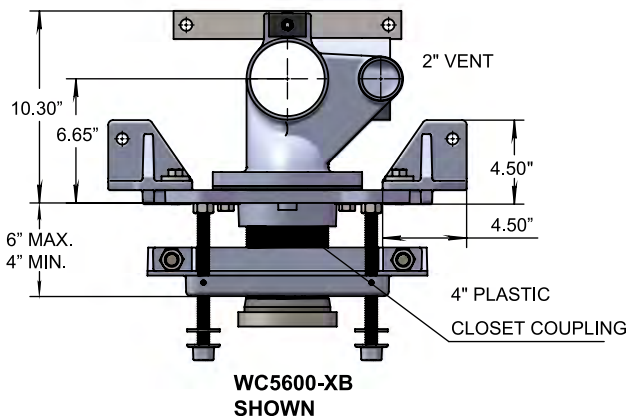
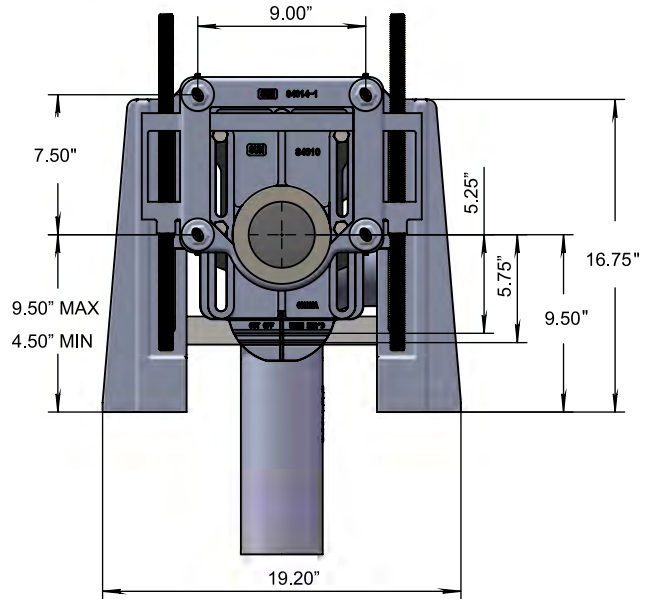
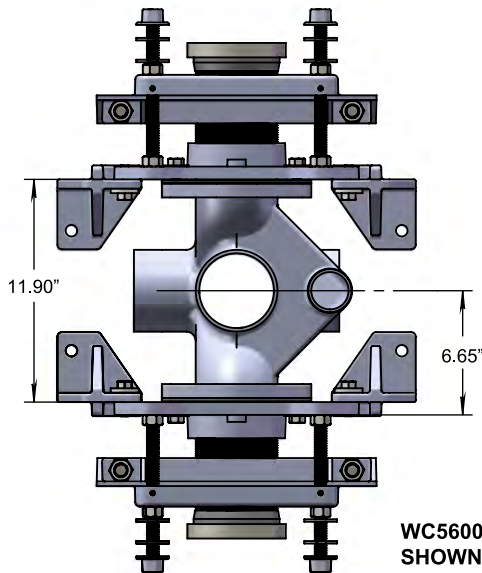
Engineering Specification:

SUN® WC5600-XB Adjustable, vertical water closet carrier with 4" no hub connections and () side inlets, rated for 1000 lb. maximum static load. Complete with coated cast iron right-hand, left-hand or double main fitting with 2" vent, adjustable faceplate with gasket, floor mounted foot supports, adjustable ABS coupling with integral test cap, fixture bolts, trim, stud protectors, heavy duty anchor bar (-R and -L only), and neoprene fixture gasket.

| PRODUCT DESCRIPTION | |
|---------------------|--|
| WC5600-XB | 4" No Hub Single , No Side Inlet |
| WC5600-XB-D | 4" No Hub Back-to-Back, No Side Inlet |
| WC5600-XB-1R | 4" No Hub Single - Right Side Inlet |
| WC5600-XB-1L | 4" No Hub Single - Left Side Inlet |
| WC5600-XB-2 | 4" No Hub Single - Two Side Inlets |
| WC5600-XB-D1 | 4" No Hub Back-to-Back - One Side Inlet |
| WC5600-XB-D2 | 4" No Hub Back-to-Back - Two Side Inlets |

| SUFFIXES | ADD |
|------------------|-----|
| -12 12" Coupling | N/C |

⚠ WARNING: Cancer and Reproductive Harm - www.P65Warnings.ca.gov.
 ⚠ ADVERTENCIA: Cáncer y daño a la reproducción - www.P65Warnings.ca.gov.
 ⚠ AVERTISSEMENT: Cancer et effets su la Reproductive - www.P65Warnings.ca.gov.



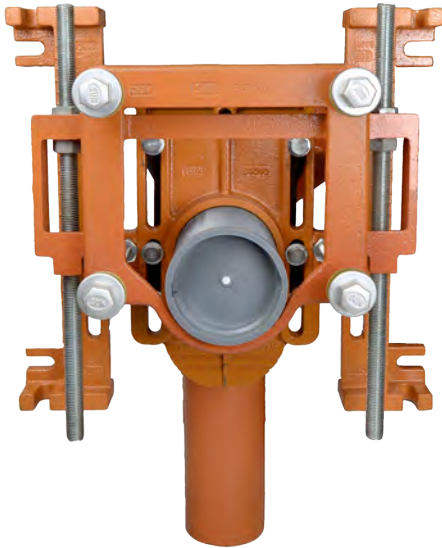
| LIST PRICE | | | |
|--------------|------------------|------------|-------------|
| Product No. | Approx. Wt. Lbs. | Single | Double |
| WC5600-XB* | 97 | \$5,174.00 | |
| WC5600-XB-D* | 109 | | \$9,987.00 |
| WC5600-XB-1R | 98 | \$5,543.00 | |
| WC5600-XB-1L | 98 | \$5,543.00 | |
| WC5600-XB-2 | 99 | \$5,805.00 | |
| WC5600-XB-D1 | 177 | | \$10,294.00 |
| WC5600-XB-D2 | 177 | | \$10,604.00 |

* To be used as a stand alone carrier. No side inlets.

CARRIERS

WC5600-EXC

WIDE CHASE ADJUSTABLE VERTICAL WATER CLOSET CARRIER



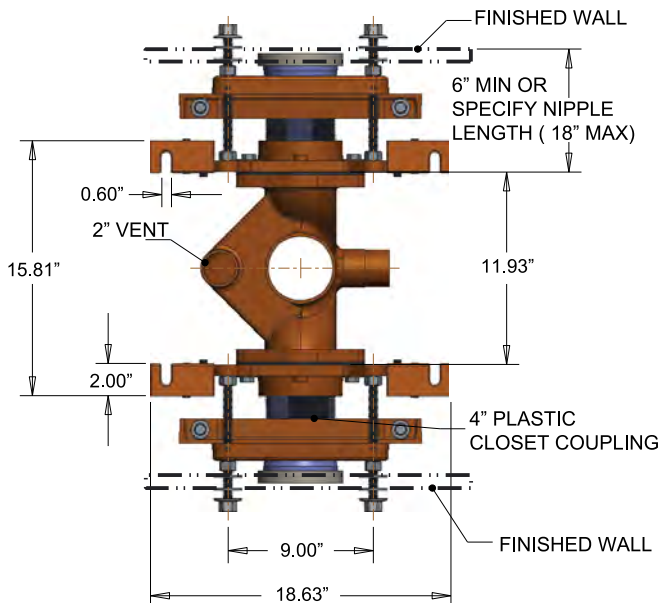
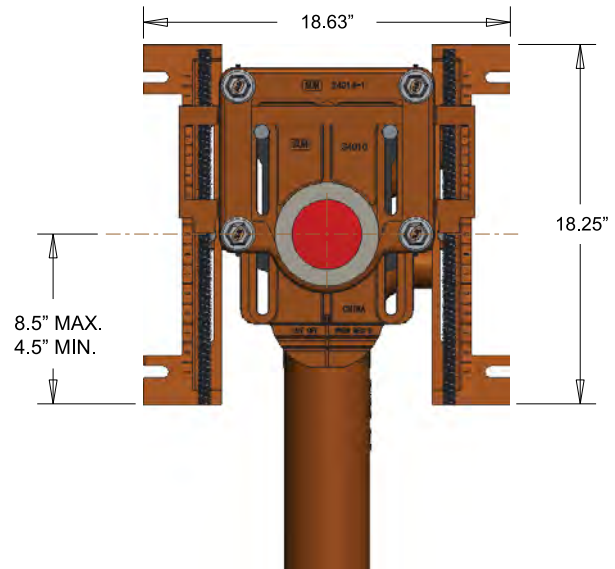
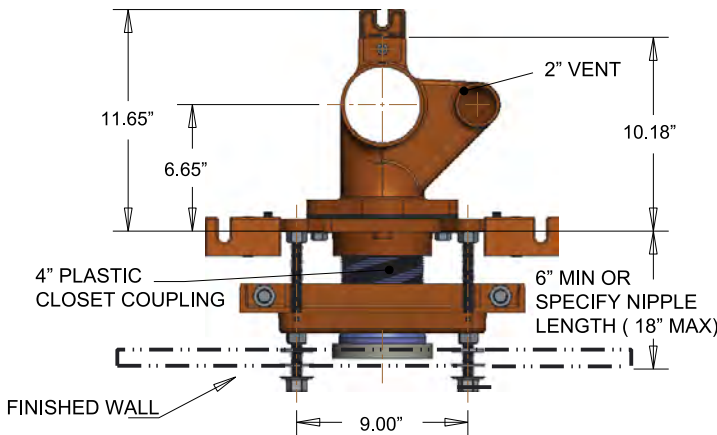
Engineering Specification:

SUN® WC5600-EXC Wide chase vertical water closet carrier with 4" no hub connections, rated for 500 lb. maximum static load. Complete with coated cast iron vertical 2" vent, adjustable faceplate with gasket, floor mounted foot supports, extended stud support frame, adjustable ABS coupling with integral test cap, fixture support, trim, stud protectors, neoprene fixture gasket.

PRODUCT DESCRIPTION

| | |
|---------------|--|
| WC5600-EXC | 4" No Hub Single, No Side Inlet |
| WC5600-EXC-D | 4" No Hub Back-to-Back, No Side Inlet |
| WC5600-EXC-1L | 4" No Hub Single - Left Side Inlet |
| WC5600-EXC-1R | 4" No Hub Single - Right Side Inlet |
| WC5600-EXC-2 | 4" No Hub Single - Two Side Inlets |
| WC5600-EXC-D1 | 4" No Hub Back-to-Back - One Side Inlet |
| WC5600-EXC-D2 | 4" No Hub Back-to-Back - Two Side Inlets |

⚠ WARNING: Cancer and Reproductive Harm - www.P65Warnings.ca.gov.
 ⚠ ADVERTENCIA: Cáncer y daño a la reproducción - www.P65Warnings.ca.gov.
 ⚠ AVERTISSEMENT: Cancer et effets sur la Reproductive - www.P65Warnings.ca.gov.



| LIST PRICE | | | |
|---------------|------------------|------------|------------|
| Product No. | Approx. Wt. Lbs. | Single | Double |
| WC5600-EXC* | 100 | \$2,390.00 | |
| WC5600-EXC-D* | 112 | | \$4,311.00 |
| WC5600-EXC-1L | 102 | \$2,740.00 | |
| WC5600-EXC-1R | 102 | \$2,740.00 | |
| WC5600-EXC-2 | 102 | \$3,084.00 | |
| WC5600-EXC-D1 | 114 | | \$4,647.00 |
| WC5600-EXC-D2 | 114 | | \$4,994.00 |

* To be used as a stand alone carrier. No side inlets.

CARRIERS

WC5600-NW

NARROW WALL ADJUSTABLE VERTICAL WATER CLOSET CARRIER



Engineering Specification:

SUN® WC5600-NW Narrow wall chase, adjustable, vertical water closet carrier with 4" no hub connections, rated for 350 lb. maximum static load. Complete with coated cast iron right-hand or left-hand horizontal fitting with 2" vent, adjustable face plate with gasket, floor mounted foot supports, adjustable ABS coupling with integral test cap, fixture bolts, trim, stud protectors and neoprene fixture gasket.

PRODUCT DESCRIPTION

| | |
|--------------|-------------------------------------|
| WC5600-NW | 4" No Hub Single, No Side Inlet |
| WC5600-NW-1R | 4" No Hub Single - Right Side Inlet |
| WC5600-NW-1L | 4" No Hub Single - Left Side Inlet |
| WC5600-NW-2 | 4" No Hub Single - Two Side Inlets |

SUFFIXES

-12 12" Coupling

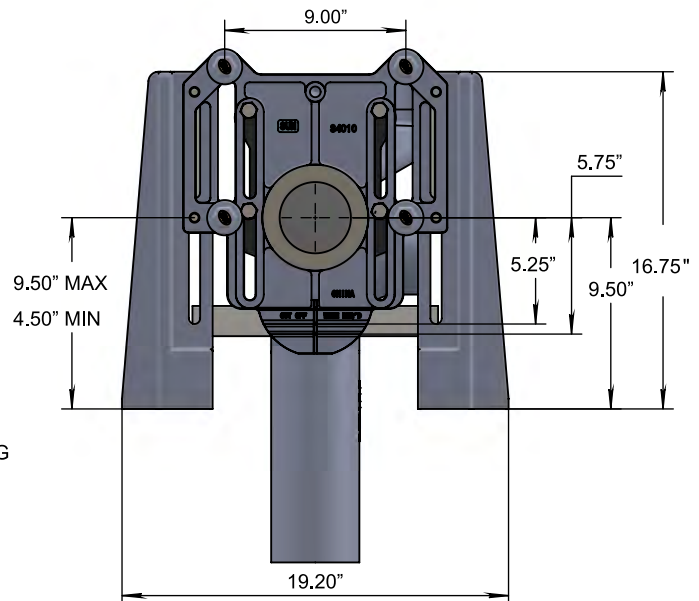
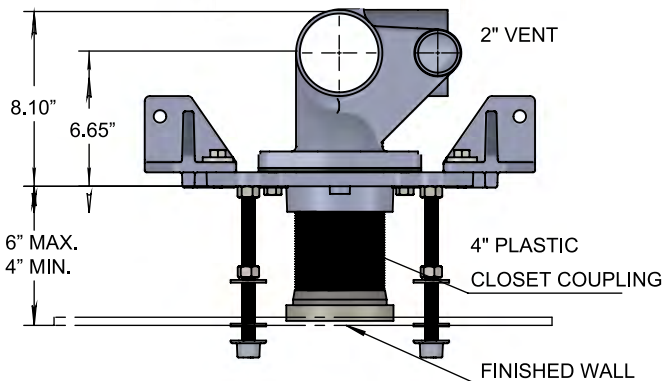
ADD

N/C

⚠ WARNING: Cancer and Reproductive Harm - www.P65Warnings.ca.gov.

⚠ ADVERTENCIA: Cáncer y daño a la reproducción - www.P65Warnings.ca.gov.

⚠ AVERTISSEMENT: Cancer et effets sur la Reproductive - www.P65Warnings.ca.gov.



LIST PRICE

| Product No. | Approx. Wt. Lbs. | Single |
|--------------|------------------|------------|
| WC5600-NW* | 70 | \$2,390.00 |
| WC5600-NW-1R | 82 | \$2,740.00 |
| WC5600-NW-1L | 72 | \$2,740.00 |
| WC5600-NW-2 | 72 | \$3,084.00 |

* To be used as a stand alone carrier. No side inlets.

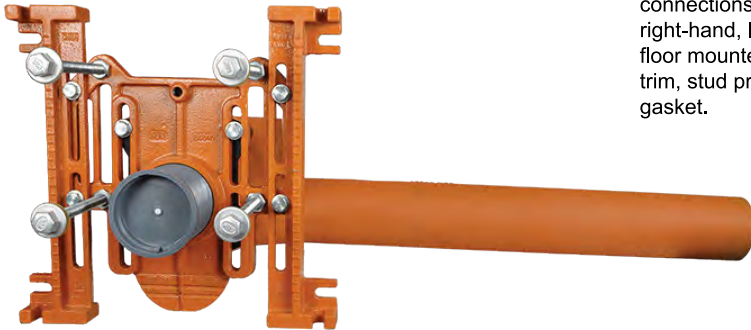
CARRIERS

WC5700

ADJUSTABLE HORIZONTAL INSIDE CAULK CLOSET CARRIER

Engineering Specification:

SUN® WC5700 Adjustable, horizontal water closet carrier with 4" inside caulk connections, rated for 500 lb. maximum static load. Complete with coated cast iron right-hand, left-hand or double main fitting with 2" vent, adjustable faceplate with gasket, floor mounted foot supports, adjustable ABS coupling with integral test cap, fixture bolts, trim, stud protectors, rear anchor tie-down (-R and -L only), and neoprene fixture gasket.



PRODUCT DESCRIPTION

| | |
|----------|---|
| WC5700-L | 4" Inside Caulk Single Left-Hand Carrier |
| WC5700-R | 4" Inside Caulk Single Right-Hand Carrier |
| WC5700-D | 4" Inside Caulk Back-to-Back Carrier (Double) |

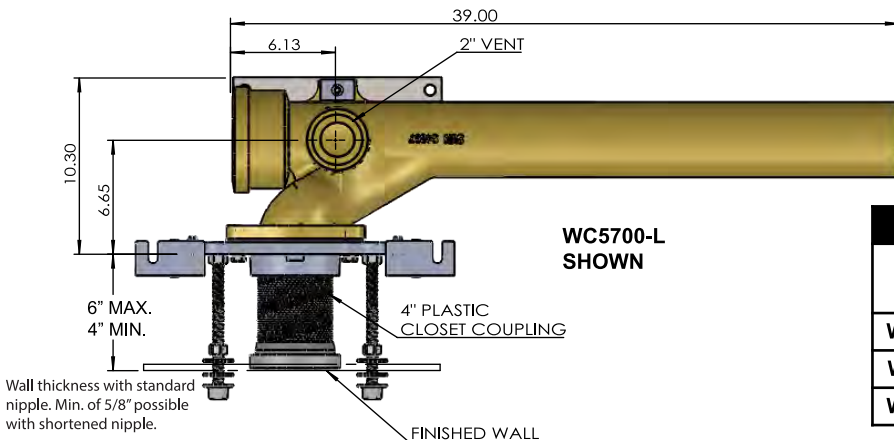
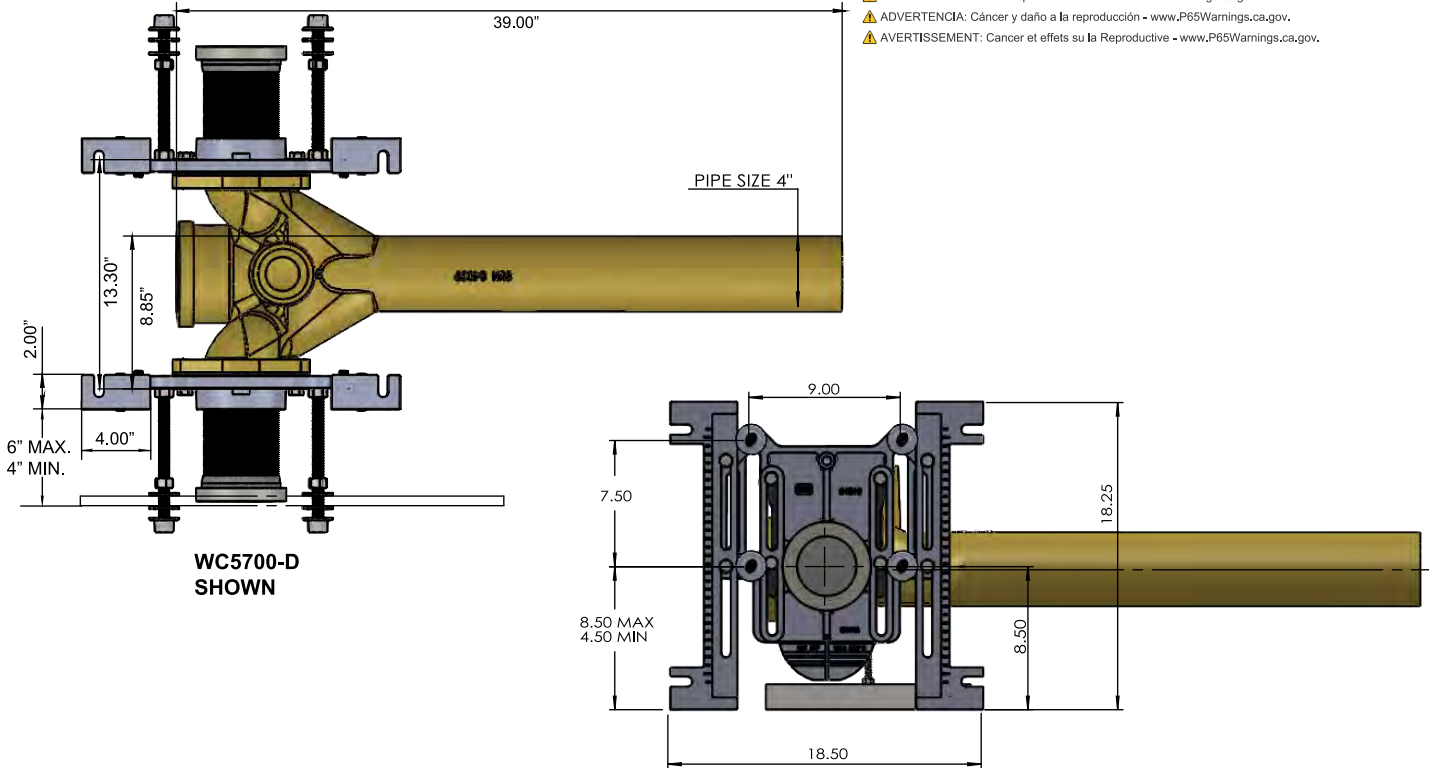
SUFFIXES

-12 12" Coupling

ADD

N/C

- ⚠ WARNING: Cancer and Reproductive Harm - www.P65Warnings.ca.gov.
- ⚠ ADVERTENCIA: Cáncer y daño a la reproducción - www.P65Warnings.ca.gov.
- ⚠ AVERTISSEMENT: Cancer et effets sur la Reproductive - www.P65Warnings.ca.gov.



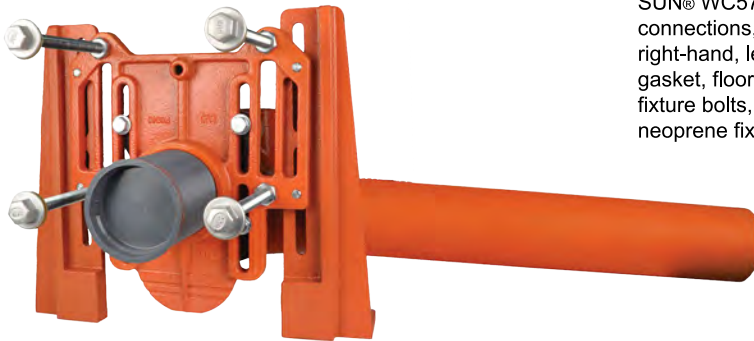
LIST PRICE

| Product No. | Approx. Wt. Lbs. | Single | Double |
|-------------|------------------|------------|------------|
| WC5700-L | 78 | \$2,214.00 | |
| WC5700-R | 78 | \$2,214.00 | |
| WC5700-D | 93 | | \$3,857.00 |

CARRIERS

WC5700-XH

EXTRA HEAVY 750 LBS. ADJUSTABLE HORIZONTAL INSIDE CAULK CLOSET CARRIER



Engineering Specification:

SUN® WC5700-XH Adjustable, horizontal water closet carrier with 4" inside caulk connections, rated for 750 lb. maximum static load. Complete with coated cast iron right-hand, left-hand or double main fitting with 2" vent, adjustable faceplate with gasket, floor mounted foot supports, adjustable ABS coupling with integral test cap, fixture bolts, trim, stud protectors, heavy duty anchor bar (-R and -L only), and neoprene fixture gasket.

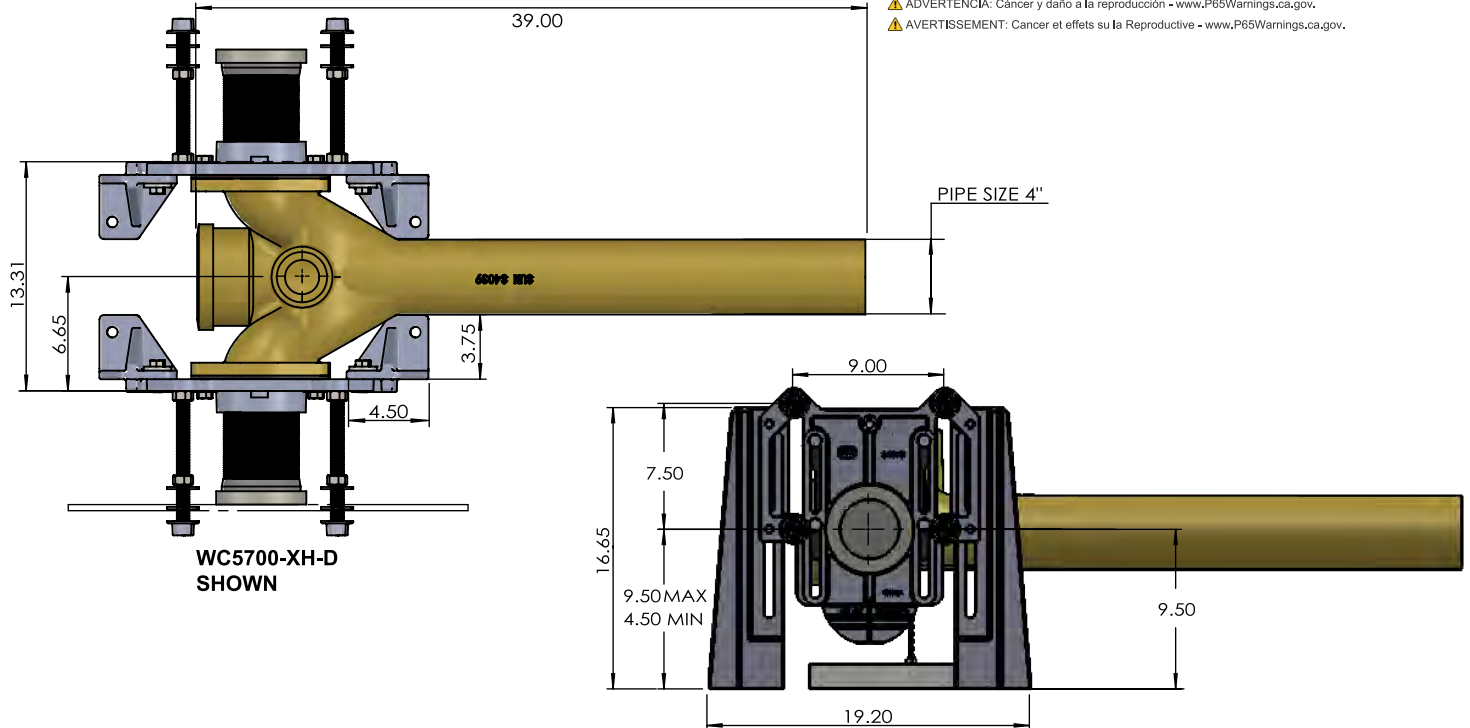
PRODUCT DESCRIPTION

| | |
|-------------|---|
| WC5700-XH-L | 4" Inside Caulk Single Left-Hand Carrier |
| WC5700-XH-R | 4" Inside Caulk Single Right-Hand Carrier |
| WC5700-XH-D | 4" Inside Caulk Back-to-Back Carrier (Double) |

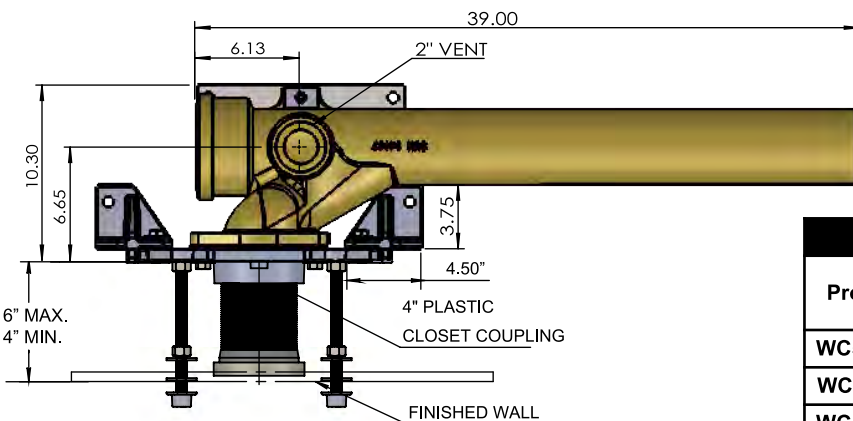
SUFFIXES

| SUFFIXES | ADD |
|------------------|-----|
| -12 12" Coupling | N/C |

- ▲ WARNING: Cancer and Reproductive Harm - www.P65Warnings.ca.gov.
- ▲ ADVERTENCIA: Cáncer y daño a la reproducción - www.P65Warnings.ca.gov.
- ▲ AVERTISSEMENT: Cancer et effets su la Reproductive - www.P65Warnings.ca.gov.



WC5700-XH-D SHOWN



WC5700-XH-L SHOWN

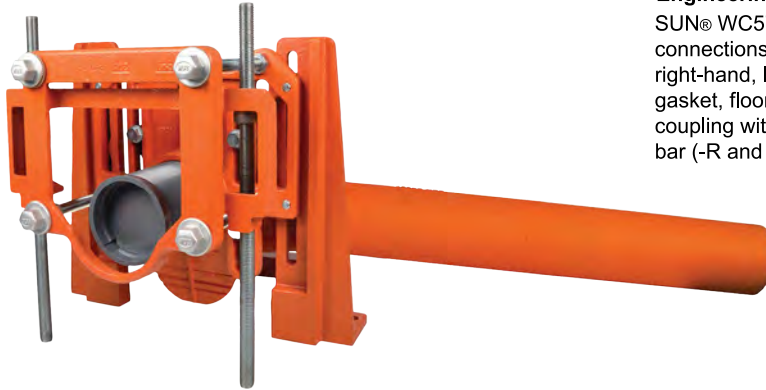
LIST PRICE

| Product No. | Approx. Wt. Lbs. | Single | Double |
|-------------|------------------|------------|------------|
| WC5700-XH-L | 99 | \$3,929.00 | |
| WC5700-XH-R | 99 | \$3,929.00 | |
| WC5700-XH-D | 164 | | \$6,415.00 |

CARRIERS

WC5700-XB

BARIATRIC 1000 LBS. ADJUSTABLE HORIZONTAL INSIDE CAULK CLOSET CARRIER



Engineering Specification:

SUN® WC5700-XB Adjustable, horizontal water closet carrier with 4" inside caulk connections, rated for 1000 lb. maximum static load. Complete with coated cast iron right-hand, left-hand or double main fitting with 2" vent, adjustable faceplate with gasket, floor mounted foot supports, stud support with finishing frame, adjustable ABS coupling with integral test cap, fixture bolts, trim, stud protectors, heavy duty anchor bar (-R and -L only), and neoprene fixture gasket.

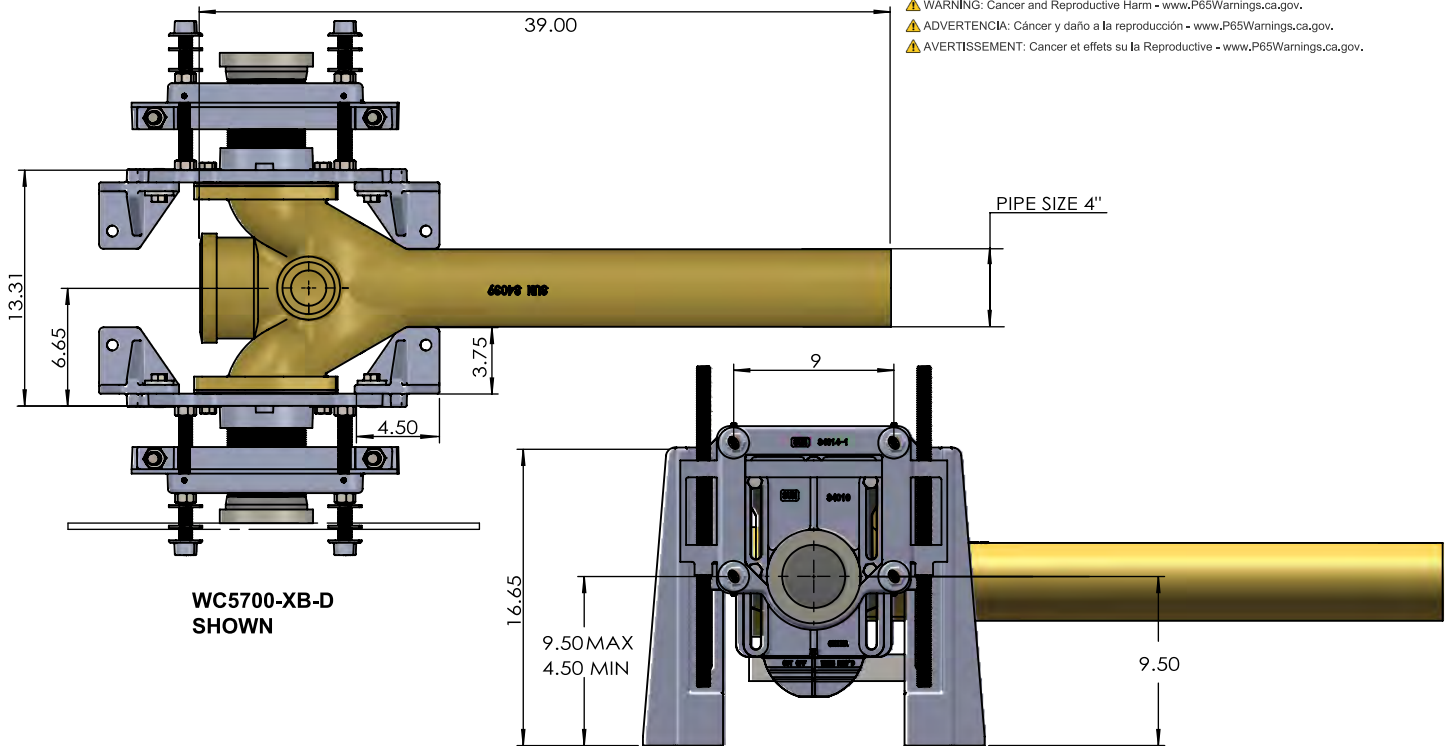
PRODUCT DESCRIPTION

| | |
|-------------|---|
| WC5700-XB-L | 4" Inside Caulk Single Left-Hand Carrier |
| WC5700-XB-R | 4" Inside Caulk Single Right-Hand Carrier |
| WC5700-XB-D | 4" Inside Caulk Back-to-Back Carrier (Double) |

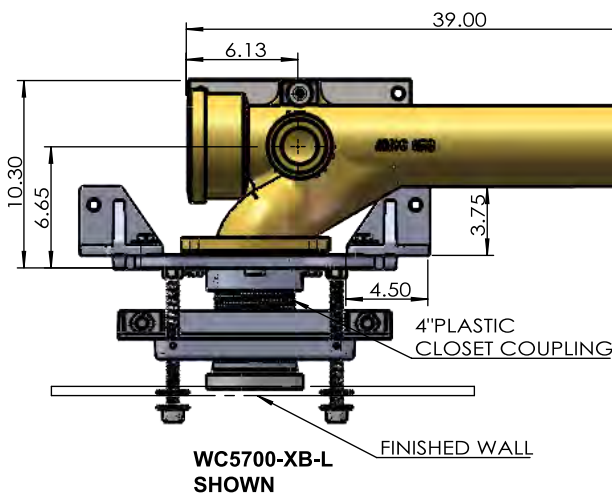
SUFFIXES

| SUFFIXES | ADD |
|------------------|-----|
| -12 12" Coupling | N/C |

- ⚠ WARNING: Cancer and Reproductive Harm - www.P65Warnings.ca.gov.
- ⚠ ADVERTENCIA: Cáncer y daño a la reproducción - www.P65Warnings.ca.gov.
- ⚠ AVERTISSEMENT: Cancer et effets su la Reproductive - www.P65Warnings.ca.gov.



WC5700-XB-D SHOWN



WC5700-XB-L SHOWN

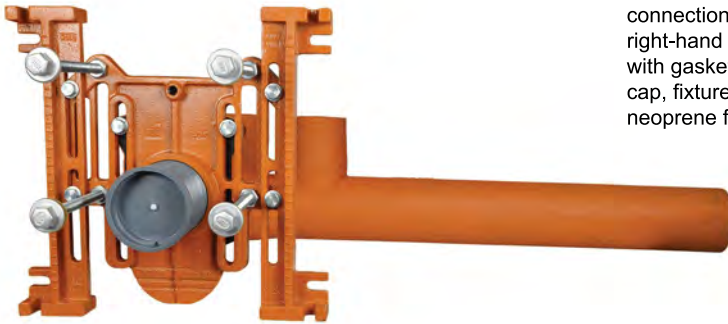
LIST PRICE

| Product No. | Approx. Wt. Lbs. | Single | Double |
|-------------|------------------|------------|------------|
| WC5700-XB-L | 114 | \$5,300.00 | |
| WC5700-XB-R | 114 | \$5,300.00 | |
| WC5700-XB-D | 196 | | \$9,942.00 |

CARRIERS

WC5700-L2 WC5700-R2

ADJUSTABLE HORIZONTAL INSIDE CAULK CLOSET CARRIER W/ ADDITIONAL INSIDE CAULK INLET



Engineering Specification:

SUN® WC5700-L2/R2 Adjustable, horizontal water closet carrier with 4" inside caulk connections, rated for 500 lb. maximum static load. Complete with coated cast iron right-hand or left-hand main fitting with 2" vent 2" auxiliary inlet adjustable faceplate with gasket, floor mounted foot supports, adjustable ABS coupling with integral test cap, fixture bolts, trim, stud protectors, rear anchor tie-down (-R and -L only), and neoprene fixture gasket.

PRODUCT DESCRIPTION

| | |
|-----------|---|
| WC5700-L2 | 4" Inside Caulk Single Left-Hand Carrier |
| WC5700-R2 | 4" Inside Caulk Single Right-Hand Carrier |

SUFFIXES

| | | | |
|-----|--------------|-----|-----|
| -12 | 12" Coupling | ADD | N/C |
|-----|--------------|-----|-----|

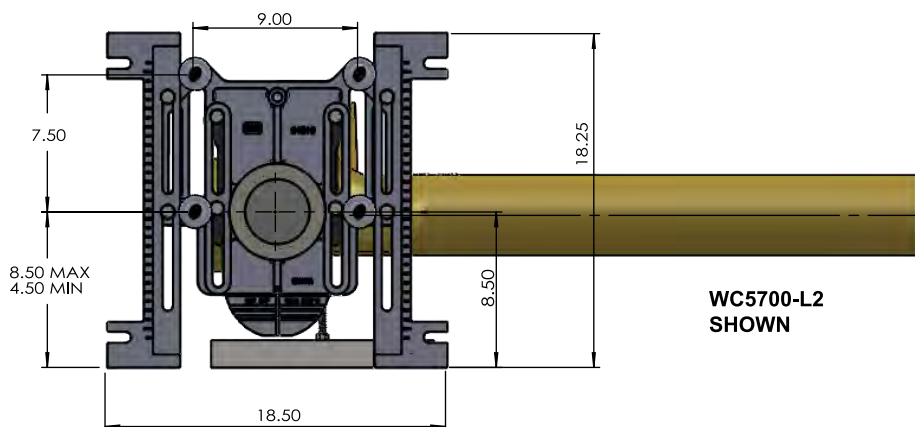
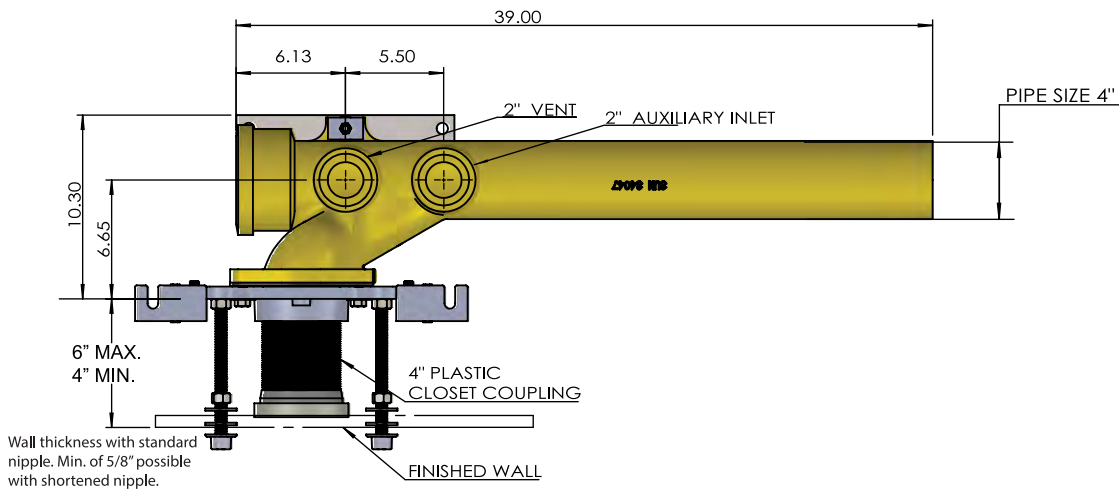
LIST PRICE

| Product No. | Approx. Wt. Lbs. | Single |
|-------------|------------------|------------|
| WC5700-L2 | 83 | \$2,586.00 |
| WC5700-R2 | 83 | \$2,586.00 |

⚠ WARNING: Cancer and Reproductive Harm - www.P65Warnings.ca.gov.

⚠ ADVERTENCIA: Cáncer y daño a la reproducción - www.P65Warnings.ca.gov.

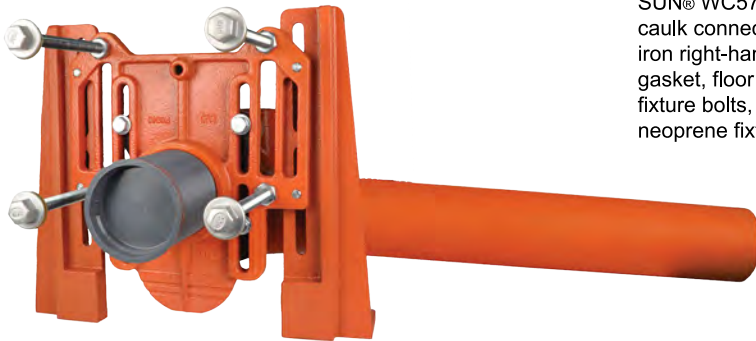
⚠ AVERTISSEMENT: Cancer et effets sur la Reproductive - www.P65Warnings.ca.gov.



CARRIERS

WC5700-XH-L2 WC5700-XH-R2

EXTRA HEAVY 750 LBS. ADJUSTABLE HORIZONTAL INSIDE CAULK CLOSET CARRIER W/ ADDITIONAL INLET



Engineering Specification:

SUN® WC5700-XH-L2/R2 Adjustable, horizontal water closet carrier with 4" inside caulk connections, rated for 750 lb. maximum static load. Complete with coated cast iron right-hand or left-hand fitting with 2" vent 2" auxiliary inlet adjustable faceplate with gasket, floor mounted foot supports, adjustable ABS coupling with integral test cap, fixture bolts, trim, stud protectors, heavy duty anchor bar (-R and -L only), and neoprene fixture gasket.

PRODUCT DESCRIPTION

| | |
|--------------|---|
| WC5700-XH-L2 | 4" Inside Caulk Single Left-Hand Carrier |
| WC5700-XH-R2 | 4" Inside Caulk Single Right-Hand Carrier |

SUFFIXES

-12 12" Coupling

ADD

N/C

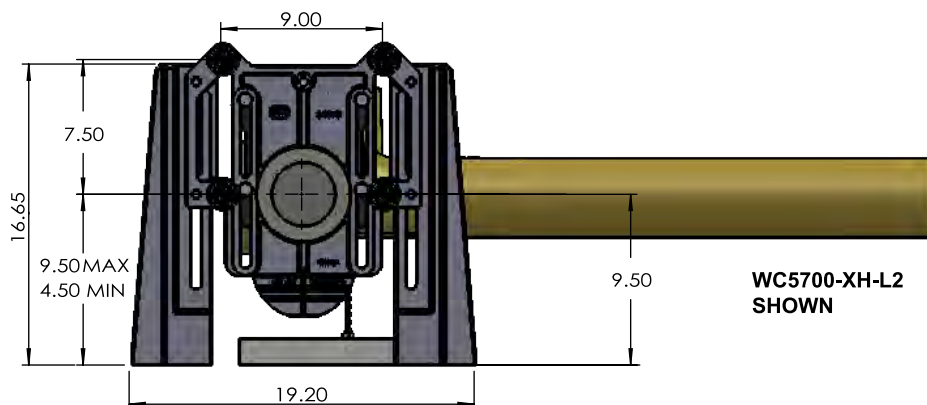
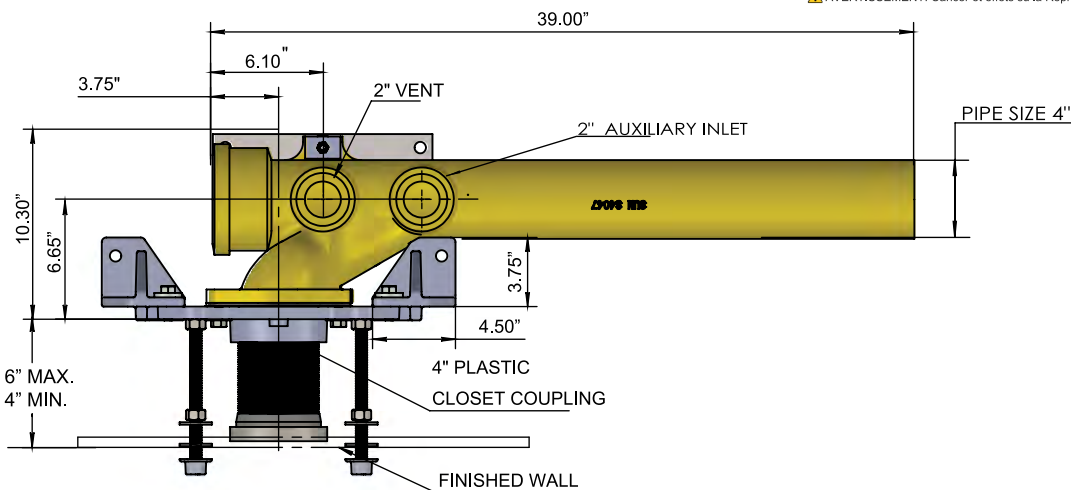
LIST PRICE

| Product No. | Approx. Wt. Lbs. | Single |
|--------------|------------------|------------|
| WC5700-XH-L2 | 106 | \$4,300.00 |
| WC5700-XH-R2 | 106 | \$4,300.00 |

⚠ WARNING: Cancer and Reproductive Harm - www.P65Warnings.ca.gov.

⚠ ADVERTENCIA: Cáncer y daño a la reproducción - www.P65Warnings.ca.gov.

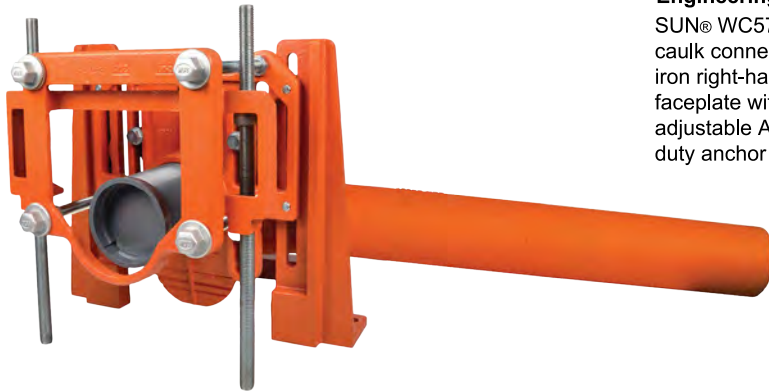
⚠ AVERTISSEMENT: Cancer et effets su la Reproductive - www.P65Warnings.ca.gov.



CARRIERS

WC5700-XB-L2 WC5700-XB-R2

BARIATRIC 1000 LBS. ADJUSTABLE HORIZONTAL INSIDE CALUK CLOSET CARRIER W/ ADDITIONAL INLET



Engineering Specification:

SUN® WC5700-XB-L2/R2 Adjustable, horizontal water closet carrier with 4" inside caulk connections, rated for 1000 lb. maximum static load. Complete with coated cast iron right-hand or left-hand main fitting with 2" vent 2" auxiliary inlet, adjustable faceplate with gasket, floor mounted foot supports, stud support with finishing frame, adjustable ABS coupling with integral test cap, fixture bolts, trim, stud protectors, heavy duty anchor bar (-R and -L only), and neoprene fixture gasket.

PRODUCT DESCRIPTION

| | |
|--------------|---|
| WC5700-XB-L2 | 4" Inside Caulk Single Left-Hand Carrier |
| WC5700-XB-R2 | 4" Inside Caulk Single Right-Hand Carrier |

SUFFIXES

-12 12" Coupling

ADD

N/C

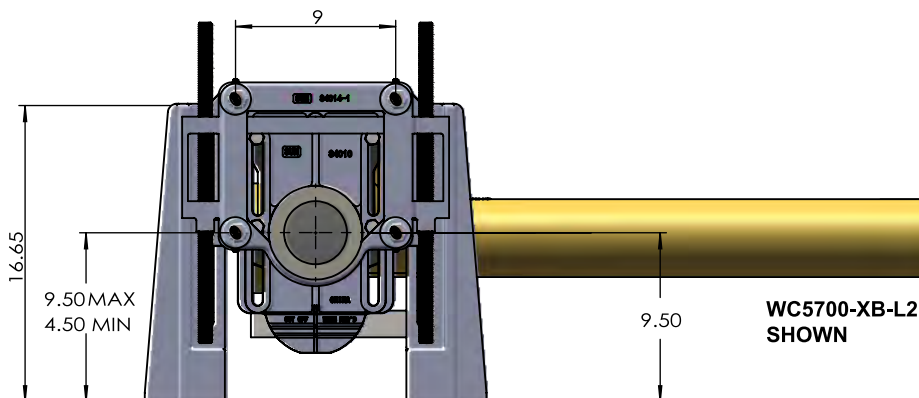
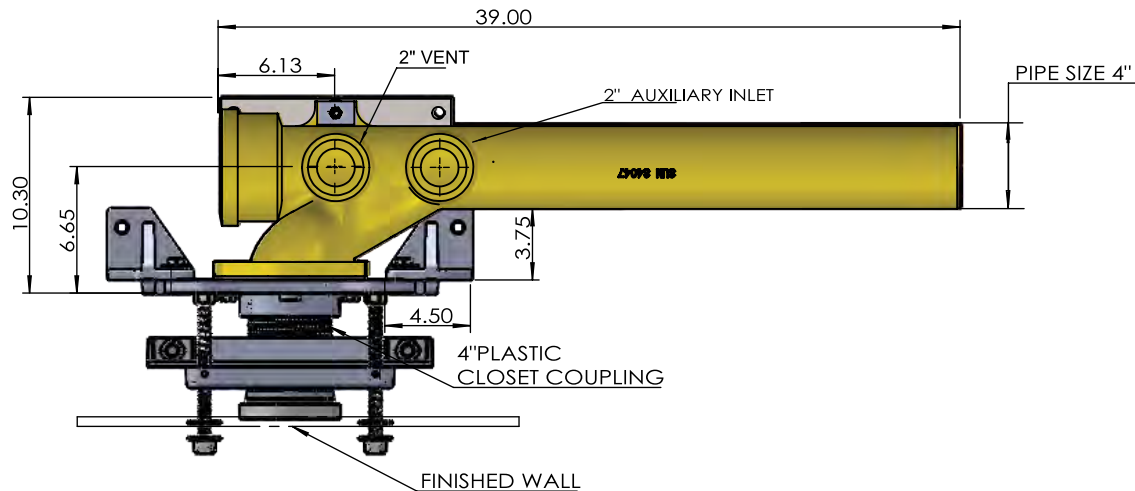
LIST PRICE

| Product No. | Approx. Wt. Lbs. | Single |
|--------------|------------------|------------|
| WC5700-XB-L2 | 121 | \$5,671.00 |
| WC5700-XB-R2 | 121 | \$5,671.00 |

⚠ WARNING: Cancer and Reproductive Harm - www.P65Warnings.ca.gov.

⚠ ADVERTENCIA: Cáncer y daño a la reproducción - www.P65Warnings.ca.gov.

⚠ AVERTISSEMENT: Cancer et effets sur la Reproductive - www.P65Warnings.ca.gov.



CARRIERS

WC5800

ADJUSTABLE VERTICAL INSIDE CAULK CLOSET CARRIER



Engineering Specification:

SUN® WC5800 Adjustable, vertical water closet carrier with 4" inside caulk connections and () side inlets, rated for 500 lb. maximum static load. Complete with coated cast iron right-hand, left-hand or double main fitting with 2" vent, adjustable faceplate with gasket, floor mounted foot supports, adjustable ABS coupling with integral test cap, fixture bolts, trim, stud protectors, rear anchor tie-down (-R and -L only), and neoprene fixture gasket.

PRODUCT DESCRIPTION

| | |
|--------------|--|
| WC5800 | 4" Inside Caulk Single , No Side Inlet |
| WC5800-D | 4" Inside Caulk Back-to-Back, No Side Inlet |
| WC5800-1L | 4" Inside Caulk Single - Left Side Inlet |
| WC5800-1R | 4" Inside Caulk Single - Right Side Inlet |
| WC5800-2 | 4" Inside Caulk Single - Two Side Inlets |
| WC5800-D1 | 4" Inside Caulk Back-to-Back - One Side Inlet |
| WC5800-D2 | 4" Inside Caulk Back-to-Back - Two Side Inlets |
| WC5800-1L-2R | 4" Inside Caulk Single - Left Side Inlet w/ 2" RH Tap |
| WC5800-1R-2L | 4" Inside Caulk Single - Right Side Inlet w/ 2" LH Tap |

SUFFIXES

-12 12" Coupling

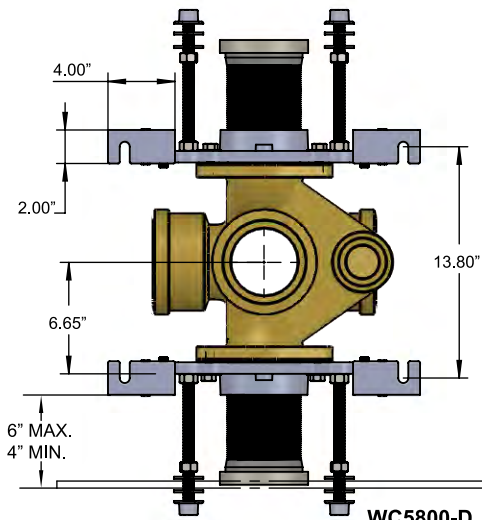
ADD

N/C

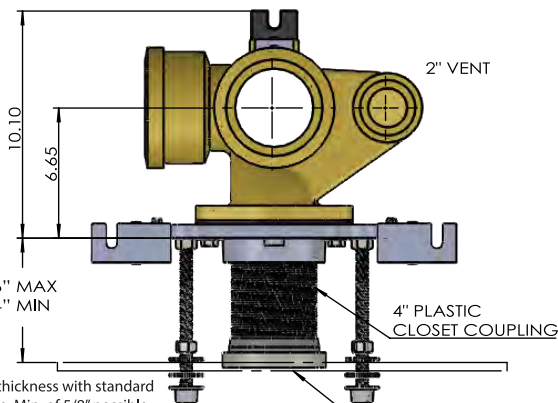
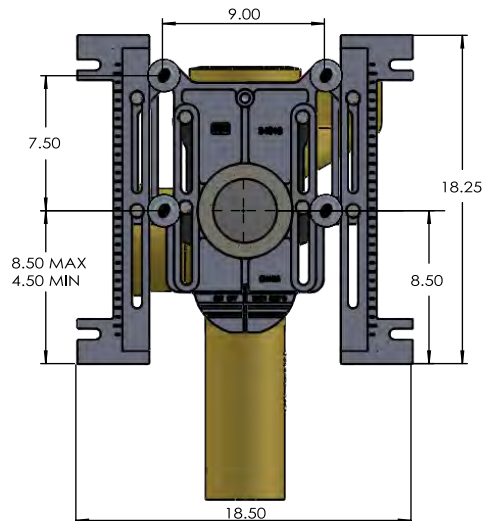
▲ WARNING: Cancer and Reproductive Harm - www.P65Warnings.ca.gov.

▲ ADVERTENCIA: Cáncer y daño a la reproducción - www.P65Warnings.ca.gov.

▲ AVERTISSEMENT: Cancer et effets su la Reproductive - www.P65Warnings.ca.gov.



WC5800-D
SHOWN



WC5800
SHOWN

FINISHED WALL

Wall thickness with standard nipple. Min. of 5/8" possible with shortened nipple.

LIST PRICE

| Product No. | Approx. Wt. Lbs. | Single | Double |
|--------------|------------------|------------|------------|
| WC5800* | 73 | \$1,942.00 | |
| WC5800-D* | 113 | | \$3,371.00 |
| WC5800-1L | 76 | \$2,271.00 | |
| WC5800-1R | 76 | \$2,271.00 | |
| WC5800-2 | 88 | \$2,585.00 | |
| WC5800-D1 | 120 | | \$3,700.00 |
| WC5800-D2 | 128 | | \$4,014.00 |
| WC5800-1L-2R | 82 | \$2,628.00 | |
| WC5800-1R-2L | 82 | \$2,628.00 | |

* To be used as a stand alone carrier. No side inlets.

CARRIERS

WC5800-XH

EXTRA HEAVY 750 LBS. ADJUSTABLE VERTICAL INSIDE CAULK CLOSET CARRIER



Engineering Specification:

SUN® WC5800-XH Adjustable, vertical water closet carrier with 4" inside caulk connections and () side inlets, rated for 750 lb. maximum static load. Complete with coated cast iron right-hand, left-hand or double main fitting with 2" vent, adjustable faceplate with gasket, floor mounted foot supports, adjustable ABS coupling with integral test cap, fixture bolts, trim, stud protectors, heavy duty anchor bar (-R and -L only), and neoprene fixture gasket.

PRODUCT DESCRIPTION

| | |
|-----------------|--|
| WC5800-XH | 4" Inside Caulk Single , No Side Inlet |
| WC5800-XH-D | 4" Inside Caulk Back-to-Back, No Side Inlet |
| WC5800-XH-1L | 4" Inside Caulk Single - Left Side Inlet |
| WC5800-XH-1R | 4" Inside Caulk Single - Right Side Inlet |
| WC5800-XH-2 | 4" Inside Caulk Single - Two Side Inlets |
| WC5800-XH-D1 | 4" Inside Caulk Back-to-Back - One Side Inlet |
| WC5800-XH-D2 | 4" Inside Caulk Back-to-Back - Two Side Inlets |
| WC5800-XH-1L-2R | 4" Inside Caulk Single - Left Side Inlet w/ 2" RH Tap |
| WC5800-XH-1R-2L | 4" Inside Caulk Single - Right Side Inlet w/ 2" LH Tap |

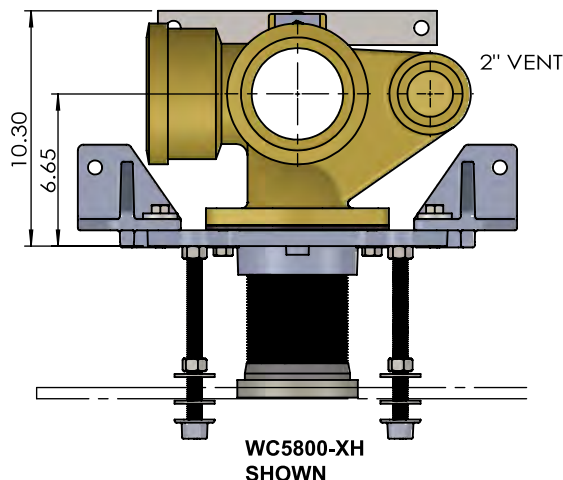
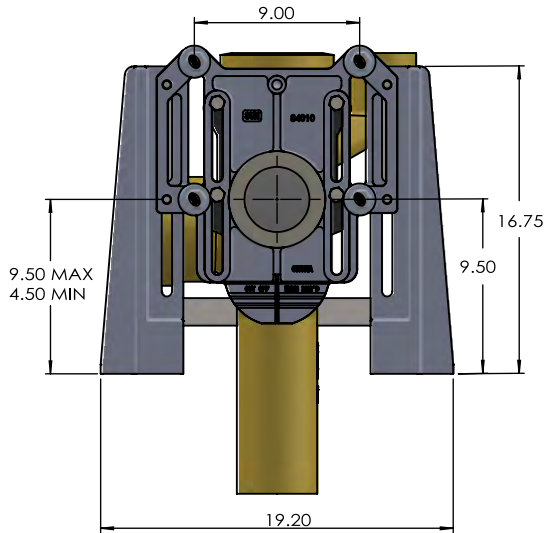
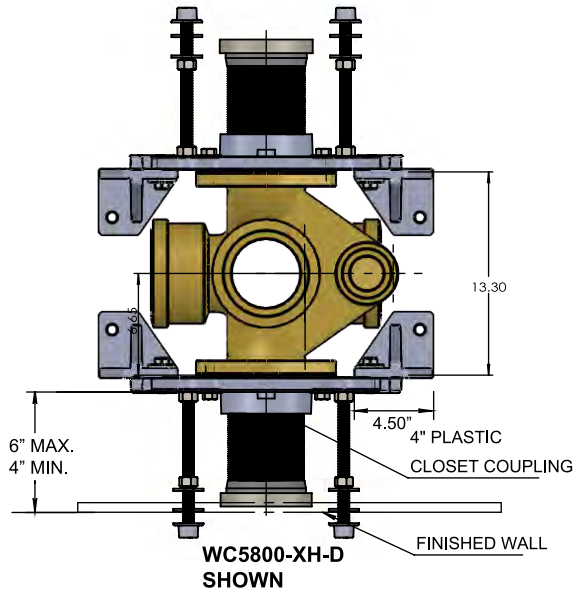
SUFFIXES

ADD

-12 12" Coupling

N/C

- ⚠ WARNING: Cancer and Reproductive Harm - www.P65Warnings.ca.gov.
- ⚠ ADVERTENCIA: Cáncer y daño a la reproducción - www.P65Warnings.ca.gov.
- ⚠ AVERTISSEMENT: Cancer et effets su la Reproductive - www.P65Warnings.ca.gov.



LIST PRICE

| Product No. | Approx. Wt. Lbs. | Single | Double |
|-----------------|------------------|------------|------------|
| WC5800-XH* | 95 | \$3,657.00 | |
| WC5800-XH-D* | 157 | | \$7,400.00 |
| WC5800-XH-1L | 98 | \$4,185.00 | |
| WC5800-XH-1R | 98 | \$4,185.00 | |
| WC5800-XH-2 | 110 | \$4,500.00 | |
| WC5800-XH-D1 | 164 | | \$7,728.00 |
| WC5800-XH-D2 | 173 | | \$8,043.00 |
| WC5800-XH-1L-2R | 104 | \$4,542.00 | |
| WC5800-XH-1R-2L | 104 | \$4,542.00 | |

* To be used as a stand alone carrier. No side inlets.

SUN reserves the right to make changes in material and design without formal notice and obligation.

CARRIERS

WC5800-XB

BARIATRIC 1000 LBS. ADJUSTABLE VERTICAL INSIDE CAULK CLOSET CARRIER



Engineering Specification:

SUN® WC5800-XB Adjustable, vertical water closet carrier with 4" inside caulk connections and () side inlets, rated for 1000 lb. maximum static load. Complete with coated cast iron right-hand, left-hand or double main fitting with 2" vent, adjustable faceplate with gasket, floor mounted foot supports, adjustable ABS coupling with integral test cap, fixture bolts, trim, stud protectors, heavy duty anchor bar (-R and -L only), and neoprene fixture gasket.

PRODUCT DESCRIPTION

| | |
|-----------------|--|
| WC5800-XB | 4" Inside Caulk Single , No Side Inlet |
| WC5800-XB-D | 4" Inside Caulk Back-to-Back, No Side Inlet |
| WC5800-XB-1L | 4" Inside Caulk Single - Left Side Inlet |
| WC5800-XB-1R | 4" Inside Caulk Single - Right Side Inlet |
| WC5800-XB-2 | 4" Inside Caulk Single - Two Side Inlets |
| WC5800-XB-D1 | 4" Inside Caulk Back-to-Back - One Side Inlet |
| WC5800-XB-D2 | 4" Inside Caulk Back-to-Back - Two Side Inlets |
| WC5800-XB-1L-2R | 4" Inside Caulk Single - Left Side Inlet w/ 2" RH Tap |
| WC5800-XB-1R-2L | 4" Inside Caulk Single - Right Side Inlet w/ 2" LH Tap |

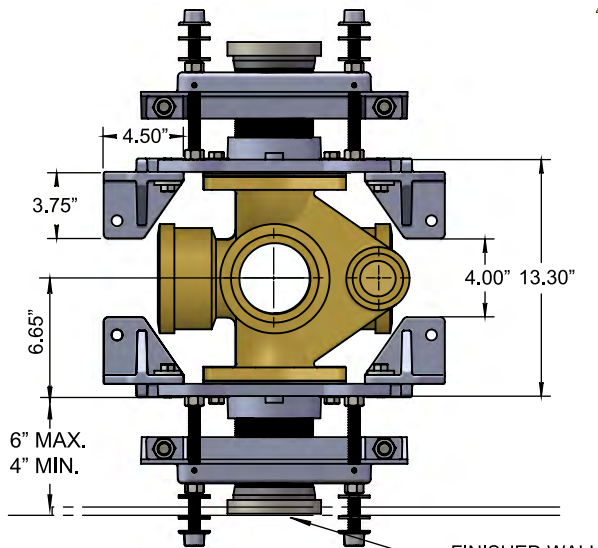
SUFFIXES

-12 12" Coupling

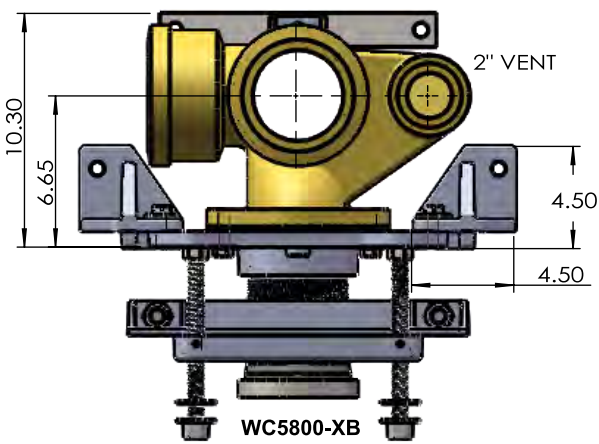
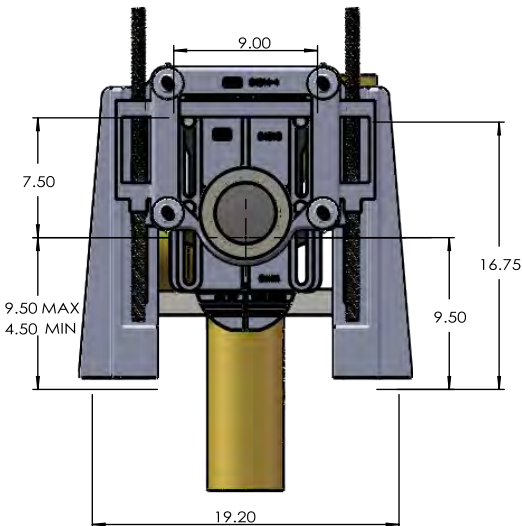
ADD

N/C

- ⚠ WARNING: Cancer and Reproductive Harm - www.P65Warnings.ca.gov.
- ⚠ ADVERTENCIA: Cáncer y daño a la reproducción - www.P65Warnings.ca.gov.
- ⚠ AVERTISSEMENT: Cancer et effets su la Reproductive - www.P65Warnings.ca.gov.



WC5800-XB-D SHOWN



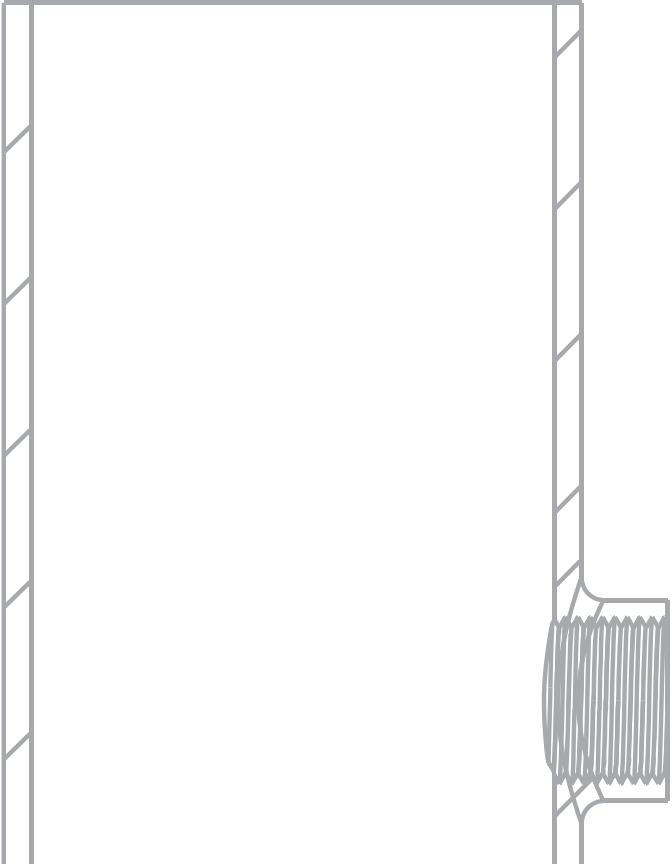
WC5800-XB SHOWN

LIST PRICE

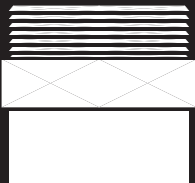
| Product No. | Approx. Wt. Lbs. | Single | Double |
|-----------------|------------------|------------|-------------|
| WC5800-XB* | 109 | \$5,071.00 | |
| WC5800-XB-D* | 187 | | \$10,129.00 |
| WC5800-XB-1L | 113 | \$5,642.00 | |
| WC5800-XB-1R | 113 | \$5,642.00 | |
| WC5800-XB-2 | 125 | \$5,914.00 | |
| WC5800-XB-D1 | 194 | | \$10,457.00 |
| WC5800-XB-D2 | 202 | | \$10,771.00 |
| WC5800-XB-1L-2R | 119 | \$5,957.00 | |
| WC5800-XB-1R-2L | 119 | \$5,957.00 | |

* To be used as a stand alone carrier. No side inlets.

SUN reserves the right to make changes in material and design without formal notice and obligation.



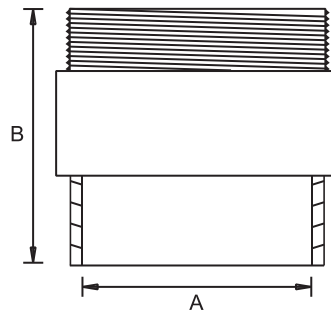
ADAPTERS



ADAPTERS

S7000

NO HUB ADAPTER



Engineering Specification:

SUN® S7000 No Hub Adapter, coated cast iron with male thread x hub connections.

| CONNECTIONS (Specify pipe size in inches) | |
|---|--|
| Connection Type | Connection Designation Pipe Size/ Outlet Type |
| Threaded x No Hub | 2NH, 3NH, 4NH |

SUFFIXES ADD

-G Galvanized Cast Iron **\$68.00**

⚠ WARNING: Cancer and Reproductive Harm - www.P65Warnings.ca.gov.

⚠ ADVERTENCIA: Cáncer y daño a la reproducción - www.P65Warnings.ca.gov.

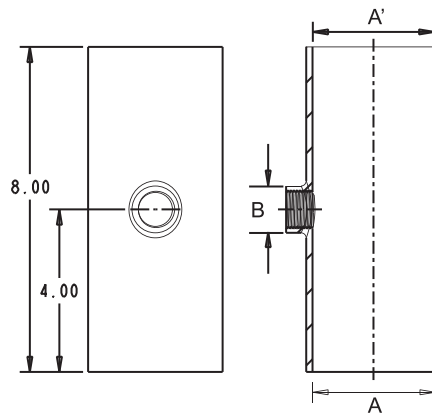
⚠ AVERTISSEMENT: Cancer et effets su la Reproductive - www.P65Warnings.ca.gov.

LIST PRICE

| Product Desig. | Dimensions in Inches | | Approx. Wt. Lbs. | Cast Iron |
|-------------------|----------------------|---|---------------------|-----------|
| | Pipe Size (A) | B | | |
| -2 | 2 | 3 | 1 | \$77.00 |
| -3 | 3 | | 2 | \$110.00 |
| -4 | 4 | | 3 | \$173.00 |

S7001

TRAP PRIMER ADAPTER



Engineering Specification:

SUN® S7001 Trap Primer Adapter, coated cast iron body with 1/2" female thread side inlet trap primer connection.

| CONNECTIONS (Specify pipe size in inches) | |
|---|--|
| Connection Type | Connection Designation Pipe Size/ Outlet Type |
| No Hub x No Hub..... | 2NH, 3NH, 4NH |

SUFFIXES ADD

-G Galvanized Cast Iron **\$77.00**

⚠ WARNING: Cancer and Reproductive Harm - www.P65Warnings.ca.gov.

⚠ ADVERTENCIA: Cáncer y daño a la reproducción - www.P65Warnings.ca.gov.

⚠ AVERTISSEMENT: Cancer et effets su la Reproductive - www.P65Warnings.ca.gov.

LIST PRICE

| Product Desig. | Dimensions in Inches | | Approx. Wt. Lbs. | Cast Iron |
|-------------------|----------------------|------------|---------------------|-----------|
| | A'xA' | B | | |
| -2 | 2 | 1/2 NPT | 3 | \$153.00 |
| -3 | 3 | | 4 | |
| -4 | 4 | | 6 | |

TECHNICAL INFORMATION

LOAD RATING - CLASSIFICATIONS

SUN Drainage drains are rated as follows: (Reference ASME Standard A112.6.3-2001)

| | |
|-------------------------|---|
| Light Duty | All grates having safe live load under 2000 lb. [900 kg]. |
| Medium Duty | All grates having safe live load between 2000 lb. [900 kg] and 4999 lb. [2250 kg]. |
| Heavy Duty | All grates having safe live load between 5000 lb. [2250 kg] and 7499 lb. [3375 kg] |
| Extra Heavy Duty | All grates having safe live load between 7500 lb. [3375 kg] and 10,000 lb. [4500 kg] |
| Special Duty | All grates having safe live load over 10,000 lb. [4500 kg] shall be considered special and treated accordingly. |

The safe live load is computed by dividing the load at failure by two when the grate is loaded conforming to the test procedure stipulated in the Standard. A 3.5 in. diameter platen is applied to the center of the grate and loading is applied slowly so that the point of failure can be noted. Use this general load rating guide to determine the duty requirement for applications. For additional information, contact SUN Drainage customer service.

OUTLET TYPES

Floor drains are available in various outlet connection types. The most common connection types are below:

INSIDE CAULK (IC)

The Inside Caulk connection is a hubbed connection design where the pipe is inserted into the hub of the drain body. The space between the outside face of the pipe and the inside face of the hub is sealed first with packed oakum and then melted lead. Specify IC for SUN Drainage Inside Caulk connections.

NO HUB (NH)

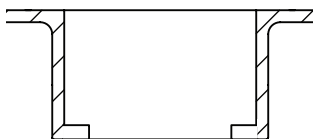
This is the most common connection and is also referred to mechanical joint. A No Hub connection is attained by butting No Hub soil pipe or plastic pipe to the bottom of the drain and securing it with a No Hub coupling. Specify NH for SUN Drainage No Hub connections.

PUSH ON (PO)

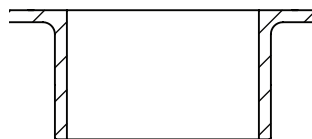
Push On connection is a compression gasketed connection designed to simply push the stub end of the pipe into the drain outlet. The push on drain body and gasket can be utilized with plastic, steel, no hub, and service weight soil pipe. A pipe stop is cast in each of SUN drain bodies ensures that water will not accumulate around the connecting pipe. Specify PO for SUN Drainage Push On connections.

THREADED (TH)

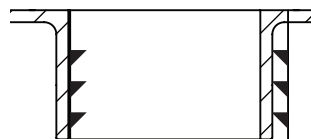
SUN Drainage Iron Pipe Threaded connection is an old industry standard. The female (NPT) threaded outlet is often utilized on industrial and institutional applications. Specify TH for SUN Drainage Threaded connections.



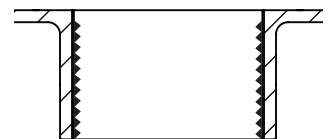
INSIDE CAULK



NO HUB



PUSH ON



THREADED

TECHNICAL INFORMATION

MATERIALS AND FINISHES

SUN Cast Iron follows ASTM Specification for Gray Iron Castings A48, Class 25 requirements. It is produced utilizing the latest equipment and newest developed foundry techniques. SUN cast iron castings are noted for strength, corrosion-resistance, quality workmanship, and finish.

SUN Ductile Iron follows ASTM Specification A536, Grade 80-55-6 requirements. Its physical properties make it ideal for drain grates and components that are subjected to severe and heavy duty service. Its chemical characteristics make possible a degree of corrosion-resistance far superior to that of cast iron. SUN ductile iron exhibits remarkable stress qualities, possessing a high yield strength, high tensile strength and elongation. SUN ductile iron is ideal for use in all areas where extra heavy duty service is a requirement, indoors or outdoors, in industrial applications.

SUN cast iron and ductile iron coating is a specially formulated coating designed to resist cracking, flaking and chipping. This coating is designed to protect the product "during normal handling and warehousing prior to installation", per ASME standard. SUN cast iron and ductile iron have exceptional resistance to corrosion in standard drainage applications because this coating prevents rusting and discoloration.

SUN Nickel Bronze is appropriate for traffic-bearing grates, covers and strainers in finished floor areas. It's strength, appearance, and longer service life surpass comparable products. Superior ductility and shock resistance are the result of the copper nickel alloy (Copper Alloy 997). This alloy is highly resistant to corrosion; although, the process of oxidation will naturally occur over time with most metals.

SUN Aluminum is casting grade 319. This is an alloy containing both silicon and copper. It is a solid metal casting gray in color. The light weight, combined with its exceptional strength and corrosion resistance, makes it ideal for drain components such as sediment buckets, strainers and domes. When used with acid-resisting porcelain enamel coated drains, the possibility of chipping is minimized.

SUN Galvanized Cast Iron Suffix – G is a process of applying a heavy zinc coating to a cast iron or ductile iron casting. This coating contains 95% zinc. SUN galvanizing can be supplied on all cast iron and ductile iron parts. It increases longevity and is recommended wherever the discoloration caused by oxidation of cast iron is objectionable. Galvanize should be used in coastal and industrial areas where corrosive atmosphere may be encountered.

SUN Stainless Steel castings are normally produced in Type CF8 (304) which is an 18-8 Austenitic Stainless possessing excellent corrosion resistant qualities. For some applications where conditions demand, Type CF8M (316) stainless steel can be supplied. Items formed from stainless steel sheet and other stainless steel products are regularly furnished in Type 304 with 316 as an optional material.

A.R.C. Acid Resisting Epoxy Coating is a baked-on powder coating, which produces a smooth hard, finish. This epoxy based coating offers high impact resistance and excellent life expectancy in all drainage applications.

A.R.E. Acid Resisting Porcelain Enamel is a glass-based, inorganic coating bonded to metal by fusion at a high temperature above 800°F. This coating offers excellent acid, abrasion, and wear resistance. This highly durable coating is best for sanitation in drainage applications.



Why SUN Drainage Products?

- Decades of manufacturing and engineering experience
- Highly customizable to meet your specifications
- On-demand installation and product guidance
- Extremely conscientious of your project budget



Over 275,000 SQ. FT. storage capacity in Sugar Land, TX



SUN Drainage Products
12600 Cardinal Meadow, Sugar Land TX, 77478

T: 1.855.521.8999
www.SunDrainage.com