

RD4320

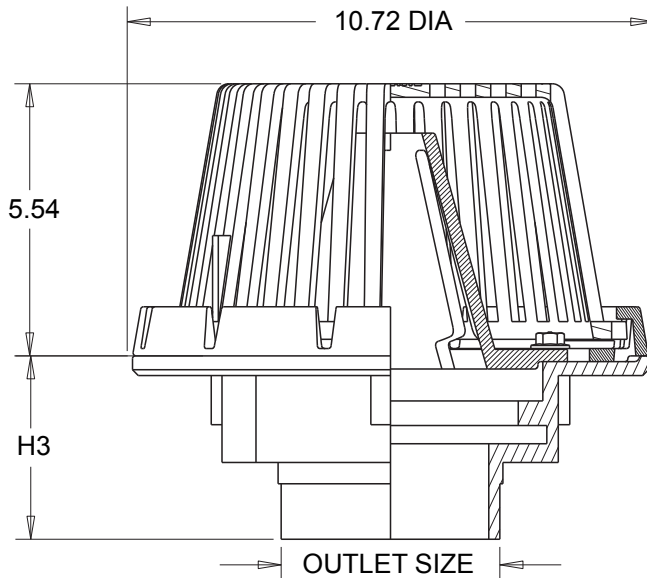
10" DIAMETER WEIR ROOF DRAIN

LOCATION: _____

Specification & Function

Specification: SUN® RD4320 10" diameter weir roof drain for sloped roof construction, coated cast iron body with combination membrane flashing clamp/gravel guard and cast iron dome.

Function: Used on any type of flat roofs. Cast Iron dome prevents debris from entering the drain line. The anchor flange and membrane clamp provide a secure grip of membrane and roof flashing materials. The Non Adjustable weir is for specific flow.



Pipe Size

SUFFIX	DESCRIPTION
<input type="checkbox"/> 2	2" (51) Pipe Size
<input type="checkbox"/> 3	3" (76) Pipe Size
<input type="checkbox"/> 4	4" (102) Pipe Size

Outlet Type

SUFFIX	DESCRIPTION
<input type="checkbox"/> NH	No Hub

Options

SUFFIX	OPTIONAL VARIATIONS
<input type="checkbox"/> -AR	Acid Resistant Epoxy Coated
<input type="checkbox"/> -G	Galvanized Cast Iron
<input type="checkbox"/> -VR	Vandal Resistant

Pipe Size (In.)	Approx. Wt. Lbs.	Dome Open Area Sq. In.
2 - 3 - 4	29	77.2

Outlet Type	Outlet Desig. Pipe Size	Body Height H3 (In.)
No Hub	2NH, 3NH, 4NH	3.73

PROJECT: _____

CONTRACTOR: _____