



# RD4000-RE

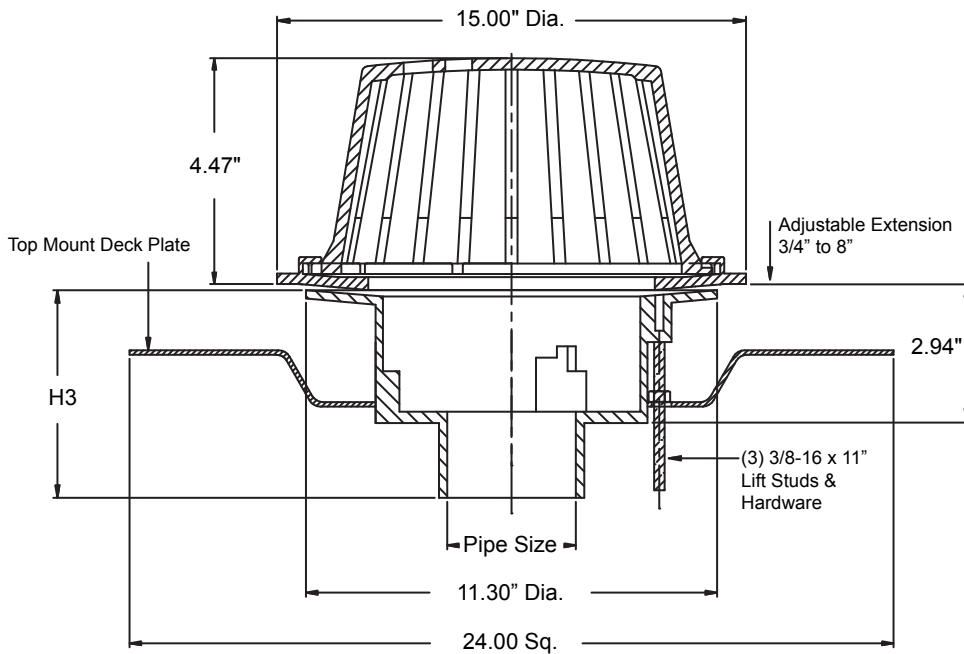
## 15" DIA. ROOF DRAIN – WITH ADJUSTABLE EXTENSION AND TOP MOUNT DECK PLATE

LOCATION: \_\_\_\_\_

### Specification & Function

**Specification:** SUN® RD4000-RE 15" lacquered cast iron large sump 15" diameter roof drain with anchor flange, large cast iron water proofing membrane clamp ring integral gravel stop and dome strainer with a free area of 105 square inches.

**Function:** The units assembled together provide a roof drainage system w/ a extension range of 3/4" to 8" to accommodate for specified insulation heights provided by the roofer. Slots provided around the base of the sump pan permit the installer to secure this system to the top of the deck. The RD4000-RE is professionally designed for new and replacement installations.



### Pipe Size

SUFFIX	DESCRIPTION
<input type="checkbox"/> 2	2" (51) Pipe Size
<input type="checkbox"/> 3	3" (76) Pipe Size
<input type="checkbox"/> 4	4" (102) Pipe Size
<input type="checkbox"/> 5	5" (127) Pipe Size
<input type="checkbox"/> 6	6" (152) Pipe Size
<input type="checkbox"/> 8	8" (203) Pipe Size

### Outlet Type

SUFFIX	DESCRIPTION
<input type="checkbox"/> IC	Inside Caulk
<input type="checkbox"/> NH	No Hub
<input type="checkbox"/> TH	Threaded (2" - 6")

### Options

SUFFIX	OPTIONAL VARIATIONS
<input type="checkbox"/> -AD	Aluminum Dome
<input type="checkbox"/> -AR	Acid Resistant Epoxy Coated
<input type="checkbox"/> -CID	Cast Iron Dome
<input type="checkbox"/> -D	2" External Water Dam
<input type="checkbox"/> -G	Galvanized Cast Iron
<input type="checkbox"/> -GD	Galvanized Cast Iron Dome

Outlet Type	Outlet Desig. Pipe Size	Body Height H3 (In.)
Inside Caulk	2IC, 3IC, 4IC, 6IC	5.30
	8IC	5.44
No Hub	2NH	5.25
	3NH, 4NH	4.60
	5NH, 6NH, 8NH	5.25
Threaded	2TH, 3TH, 4TH, 5TH, 6TH	3.75

Pipe Size (In.)	Approx. Wt. Lbs.	Dome Open Area Sq. In.
2 - 3 - 4	28	105.36
5 - 6	28	
8	25	

PROJECT: \_\_\_\_\_

CONTRACTOR: \_\_\_\_\_