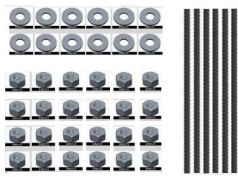


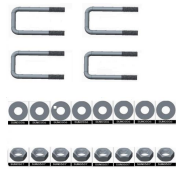


PLATE TYPE CARRIERS INSTALLATION INSTRUCTIONS

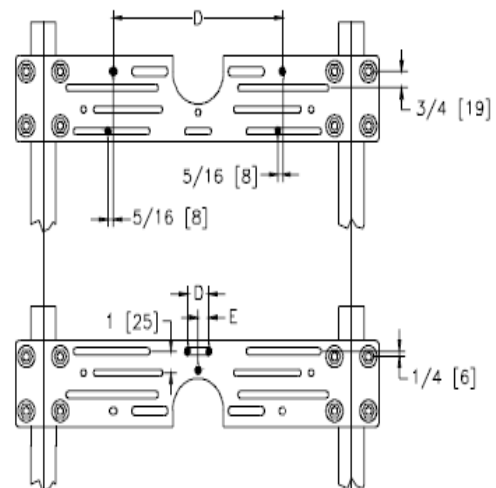
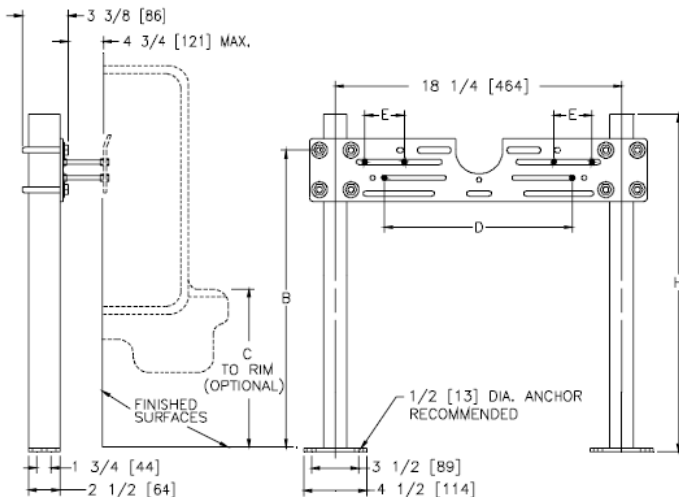
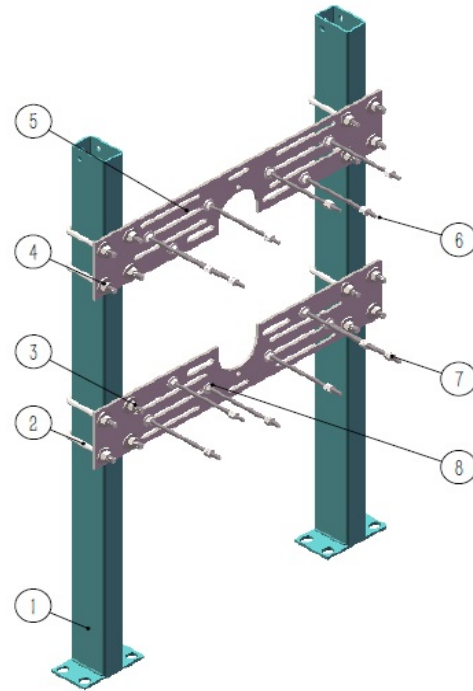
PART	SC5020	SC5030	DESCRIPTION
	QTY	QTY	
1	2	2	Upright w/ welded feet
2	4	8	U-Bolt
3	8	16	3/8 Washer
4	8	16	3/8-16 Nut
5	1	2	Bearing Plate
6	6	12	1/4-20x6 Rod
7	24	48	1/4-20 Nut
8	12	24	1/4 Washer



HW5020 Hardware
Bearing Plate part #S4101



HW5020-2 Hardware



INSTALLATION INSTRUCTIONS FOR SC5020, SC5030, SC5040

1. Attach carrier plate to rectangular upright using (2) u-bolts, (4) washers, and (4) nuts per upright and bracket.
2. Tighten at correct elevation.
3. Align uprights and bolt to floor using 1/2" bolts (supplied by others). Two bolts placed diagonally are recommended for proper installation.
4. Verify alignment and elevation.
5. Install rods, washers, and nuts to plate(s) per fixture manufacturer's rough-in dimensions.

#XSUPLATE-ASSY SUN Drainage Plate Type Carrier Instruction Sheet Rev. A.11/2016
12600 Cardinal Meadow • Sugar Land, TX 77478
www.sundrainage.com

Note - Dimensional Data (inches and mm) are Subject to Manufacturing Tolerances and Change without Notice.