

S100-F4

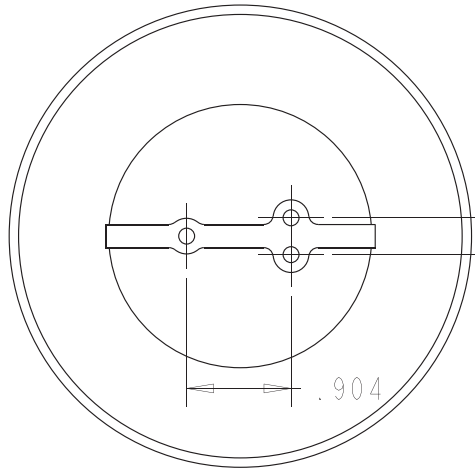
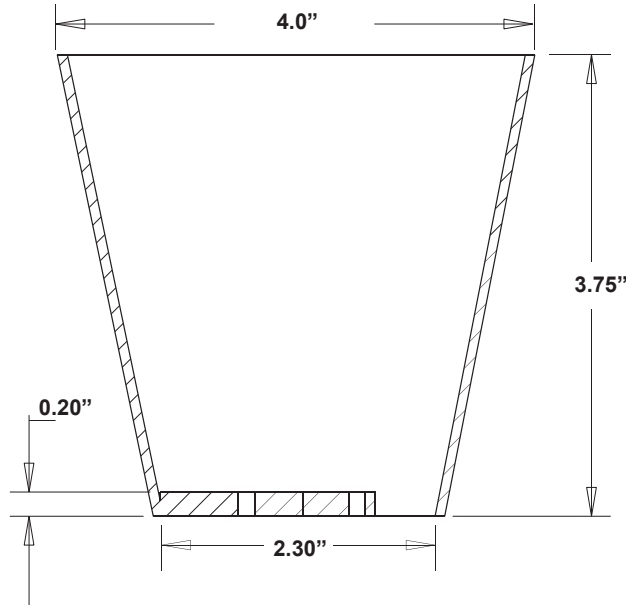
ROUND FUNNEL ASSEMBLY

LOCATION:

Specification & Function

Specification: SUN® S100-F4 Round Nickel Bronze funnel converting assembly, with fasteners to secure funnel to strainer.

Function: Funnel attaches to strainer to accept condensate lines. Used in restaurants, hospitals, industrial laboratories and other areas where indirect waste lines drip condensate or waste water into a hub.



PROJECT:

CONTRACTOR: