

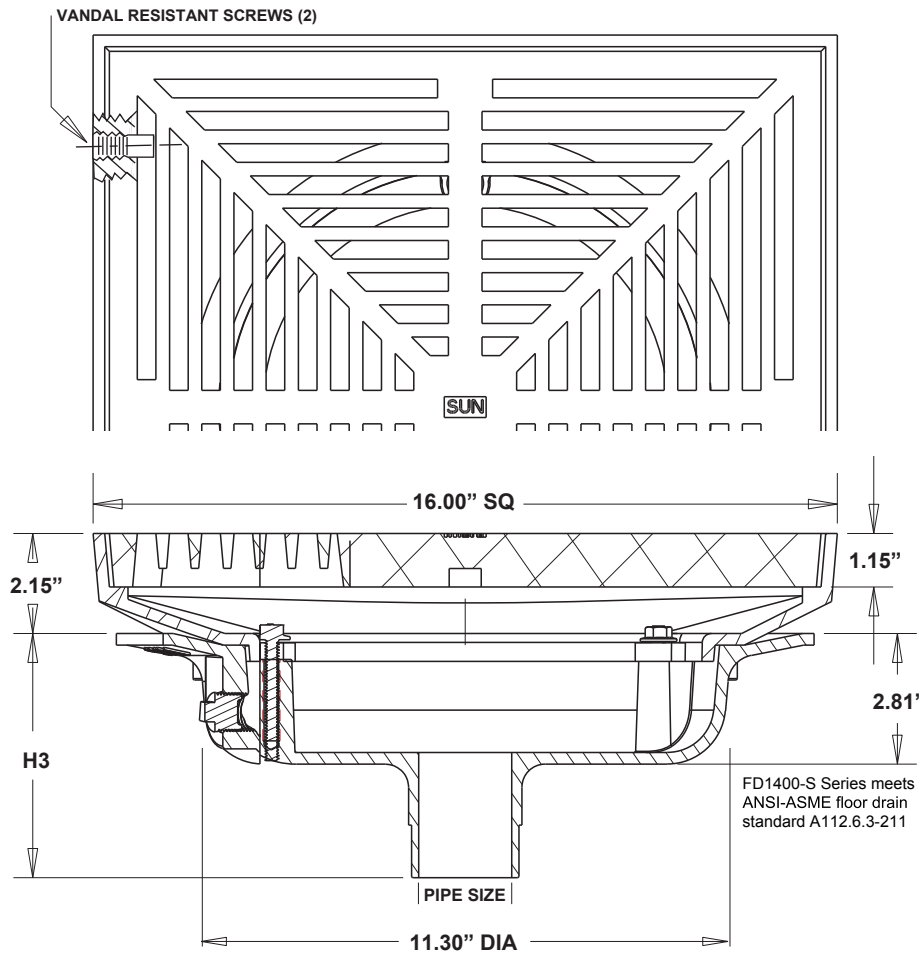
FD1400-S FLOOR DRAIN - 16" HEAVY DUTY ROTATABLE SQUARE TOP

LOCATION: _____

Specification & Function

Specification: SUN® FD1400-S coated cast iron floor drain with 16" heavy duty vandal resistant secured square grate, 1/2" NPT trap primer (plugged) and bottom outlet.

Function: Used in warehouses, mechanical rooms, parking garages, and other areas.



Pipe Size

SUFFIX	DESCRIPTION
<input type="checkbox"/> 2	2" (51) Pipe Size
<input type="checkbox"/> 3	3" (76) Pipe Size
<input type="checkbox"/> 4	4" (102) Pipe Size
<input type="checkbox"/> 5	5" (127) Pipe Size
<input type="checkbox"/> 6 *	6" (152) Pipe Size
<input type="checkbox"/> 8 *	8" (203) Pipe Size

Outlet Type

SUFFIX	DESCRIPTION
<input type="checkbox"/> IC	Inside Caulk
<input type="checkbox"/> NH	No Hub
<input type="checkbox"/> PO *	Push On
<input type="checkbox"/> TH	Threaded Outlet

Options

SUFFIX	OPTIONAL VARIATIONS
<input type="checkbox"/> -AE	Adjustable Extension
<input type="checkbox"/> -AR	Acid Resistant Epoxy Coated Cast Iron
<input type="checkbox"/> -B*	Sediment Bucket
<input type="checkbox"/> -G	Galvanized Cast Iron
<input type="checkbox"/> -H	Hinged Square
<input type="checkbox"/> -PE2	2" Perforated Extension
<input type="checkbox"/> -PE4	4" Perforated Extension
<input type="checkbox"/> -S	Square Rotatable Top
<input type="checkbox"/> -SSB	Stainless Steel Fabricated Bucket
<input type="checkbox"/> -90	90° Threaded Side Outlet Body (2" - 4" Only)
<input type="checkbox"/> -90N	90° No-hub Side Outlet Body (2" - 4" Only)
<input type="checkbox"/> -V	Nickel Bronze Veneer Round
<input type="checkbox"/> -VS	Nickel Bronze Veneer Square
<input type="checkbox"/> -XD	Extra Heavy Duty

Note: 1.* Not available 6" PO for PVC
 2.* Not available 8" PO
 3.* Not available when -AE is specified.

Metric equivalents see chart below. (Dimension) Denotes Millimeters

STRAINER DIAMETER	Free Area
16"(406)	96.56 in ²

* ANSI load class - HD = Heavy Duty (between 5,000 LBS - 7,499 LBS)

Pipe Size	BODY HEIGHT (H3)			
	Inside Caulk	No Hub	Push On	Threaded
2"	5.30	5.25	4.60	3.75
3"	5.30	4.60	4.60	3.75
4"	5.30	4.60	4.60	3.75
5"	----	5.25	----	3.75
6"	5.30	5.25	5.45	3.75
8"	5.44	5.25	----	----

PROJECT: _____

CONTRACTOR: _____