

CO3100

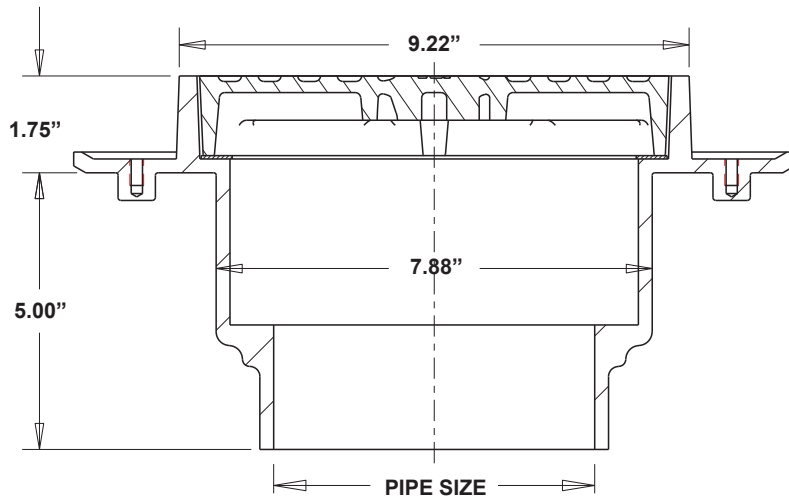
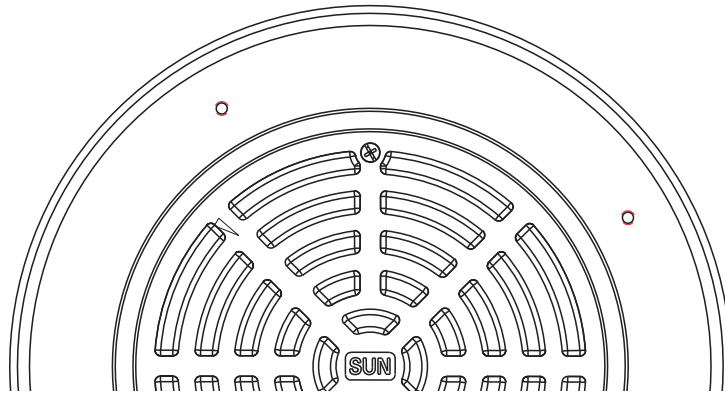
**EXTRA HEAVY DUTY
FLOOR CLEANOUT WITH
DUCTILE IRON COVER**

LOCATION:

Specification & Function

Specification: SUN® CO3100 Series Extra Heavy Duty Floor Cleanout with cast iron body, anchor flange, ductile iron cover & primary gasket seal.

Function: Used in unfinished areas to provide access to plumbing lines for removal blockages.



Pipe Size

SUFFIX	DESCRIPTION
6	6" (152) Pipe Size

Outlet Type

SUFFIX	DESCRIPTION
IC	Inside Caulk
NH	No Hub

Options

SUFFIX	OPTIONAL VARIATIONS
-AR	Acid Resistant Epoxy Coated
-G	Galvanized Cast Iron
-P	Secondary Closure Plug
-V	Nickel Bronze Veneer

Metric equivalents see chart below. (Dimension) Denotes Millimeters

TOP DIAMETER	TOP ASSEMBLY HEIGHT	Pipe Size	BODY HEIGHT			
			Inside Caulk	No Hub	Push No	Threaded
9"(234)	1.5"	6"	5"	5"	----	----

* ANSI load class - XHD = Extra Heavy Duty (7500 - 10000 LBS)

PROJECT:

CONTRACTOR: