

CO3000-1-S

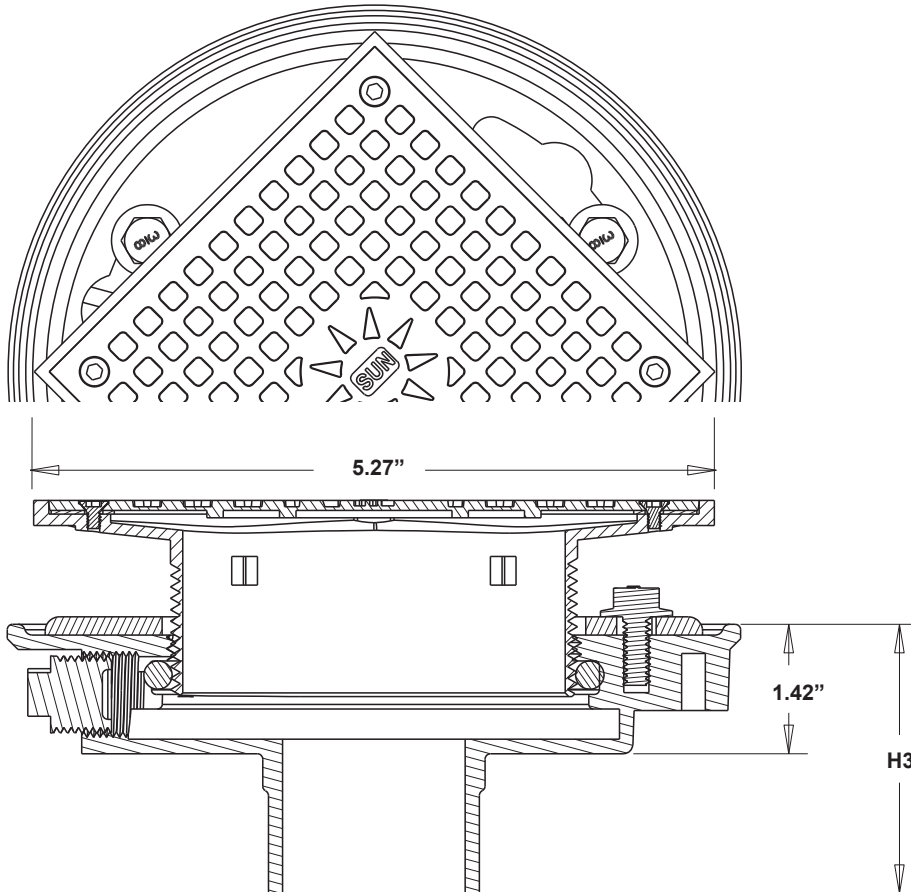
FLOOR CLEANOUT WITH
ADJUSTABLE SQUARE
NICKEL BRONZE COVER

LOCATION: _____

Specification & Function

Specification: SUN® CO3000-1-S Series Adjustable Square Nickel Bronze Floor Cleanout with cast iron body, anchor flange, secondary "O" ring gasket seal, combined cover & plug top assembly with vandal proof screws and primary gasket seal.

Function: Used in finished floors to provide access to plumbing lines for removal blockages.



Pipe Size

SUFFIX	DESCRIPTION
2	2" (51) Pipe Size
3	3" (76) Pipe Size
4	4" (102) Pipe Size

Outlet Type

SUFFIX	DESCRIPTION
IC	Inside Caulk
NH	No Hub
PO	Push On
TH	Threaded Outlet

Options

SUFFIX	OPTIONAL VARIATIONS
-AR	Acid Resistant Epoxy Coated
-G	Galvanized Cast Iron
-P	Secondary Closure Plug
-U	Extension

Metric equivalents see chart below. (Dimension) Denotes Millimeters

Top Diameter	Top Adjustment	
	MIN.	MAX
5" (127)	1.66	2.51
5" (127)	1.66	2.51
5" (127)	1.66	2.51

* ANSI load class - LD = Light Duty (< 2000 LBS)

Pipe Size	BODY HEIGHT (H3)			
	Inside Caulk	No Hub	Push On	Threaded
2"	3.9	3.0	3.0	2.5
3"	3.9	3.0	3.0	2.5
4"	3.9	3.0	3.0	2.5

PROJECT: _____

CONTRACTOR: _____