

# WC5700-XB

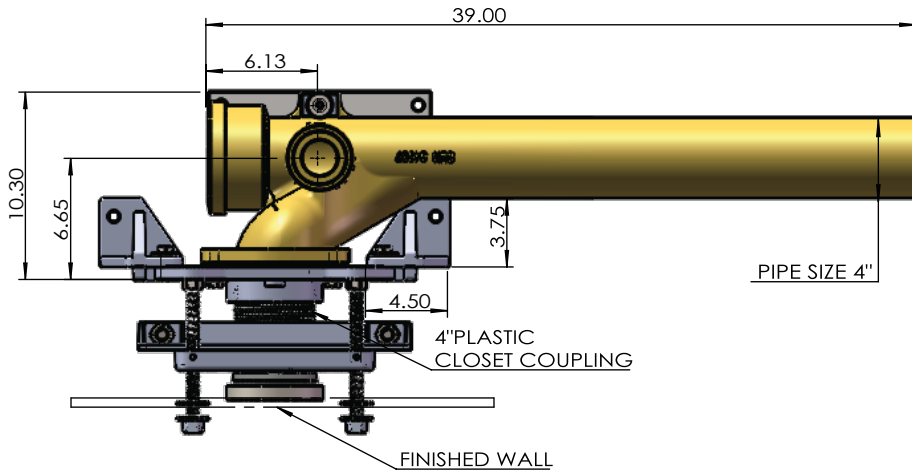
## BARIATRIC 1,000LB ADJUSTABLE HORIZONTAL INSIDE CAULK CLOSET CARRIER

LOCATION:

### Specification & Function

**Specification:** SUN® WC5700-XB Adjustable, horizontal water closet carrier with 4" inside caulk connections, rated for 1000 lb. maximum static load. Complete with coated cast iron right-hand, left-hand main fitting with 2" vent, adjustable faceplate with gasket, floor mounted foot supports, stud support with finishing frame, adjustable ABS coupling with integral test cap, fixture bolts, trim, stud protectors, heavy duty anchor bar (-R and -L only), and neoprene fixture gasket.

**Function:** Used with off the floor fixtures that are wall mounted and have no contact with the finished floor. The closet carrier is completely concealed within the wall and supports the load of the fixture through a faceplate mounted to feet and anchored to the floor.



#### Pipe Size

SIZE	DESCRIPTION
<input type="checkbox"/> 4	4" (102) Pipe Size

#### Outlet Type

OUTLET	DESCRIPTION
<input type="checkbox"/> IC	Inside Caulk

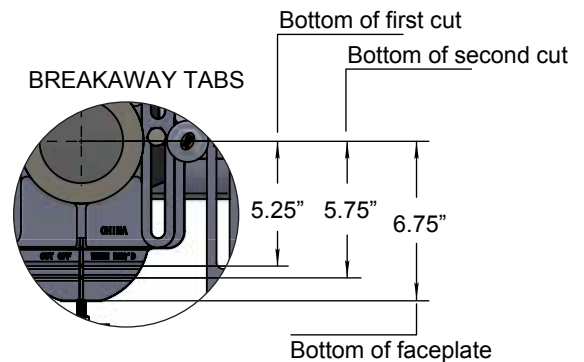
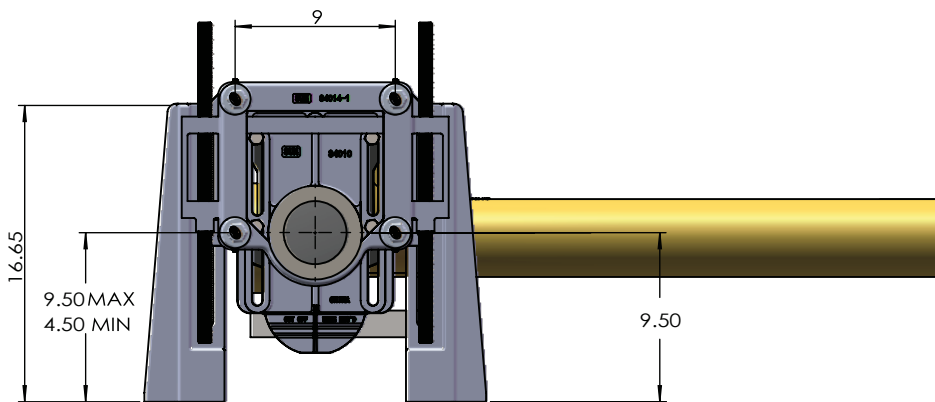
#### Inlets

INLET	DESCRIPTION
<input type="checkbox"/> -L	Left Hand Inlet (Flow to the right)
<input type="checkbox"/> -R	Right Hand Inlet (Flow to the left)

#### Options

SUFFIX	OPTIONAL VARIATIONS
<input type="checkbox"/> -CL12	12" ABS Nipple
<input type="checkbox"/> -G	Galvanized Cast Iron

Product No.	Approx. Wt. Lbs.
WC5700-XB-L	111
WC5700-XB-R	111



PROJECT:

CONTRACTOR: